

# Montpellier

THE PERFECT BALANCE OF FUNCTION AND STYLE

LAUNDRY - DISHWASHING - COOKING - COOLING

## Installation and Operating Instructions



### **60/70/90/100cm Integrated Chimney Cooker Hood**

MH600X / MH600BK / MH700X / MH700BK

MH900X / MH900BK / MH1000X / MH1000BK

Please read these instructions carefully before attempting to install or use this appliance.  
We recommend that you keep these instructions in a safe place for future reference.

# Welcome

---

Thank you for choosing this Montpellier Chimney Cooker Hood.

Our Hoods have been designed to provide you with the best combination of style, reliability and performance to give you years of trouble-free use.

You may be familiar with a similar product, but please take time to read these instructions carefully before installing or using your Cooker Hood to ensure you get the most from your purchase.

We recommend that you keep this manual in a safe place for future reference.

Your Cooker Hood is covered by a comprehensive two year Parts & Labour Guarantee. In the unlikely event that you experience a problem with your Hood, you can rest assured that you are fully protected against the cost of repairs for the first 24 months. Please note that any claim must be accompanied by the model reference number, serial number and proof of purchase.

To activate your guarantee, you will need your product serial number. This can be found on the rear of the machine.

There are two ways to register your Guarantee:

- **Online:** Visit the Support page on our website and complete the online Product Registration form. [www.montpellier-appliances.com](http://www.montpellier-appliances.com)
- **By Post:** Simply detach and fill in the form provided, attach a stamp and send it in the post. Don't forget to include your e-mail address so that we can send confirmation through to you.



**Note:** We are unable to take registrations over the phone.

---

**2**  
**YEAR**  
**GUARANTEE**  
— PARTS & LABOUR —  
ACROSS ALL OUR MODELS  
**Montpellier**  
www.montpellier-appliances.com

## Important

The manufacturer cannot be held responsible for injuries or losses caused by incorrect use or installation of this product. Please note that the manufacturer reserves the right to invalidate the guarantee supplied with this product following incorrect installation or misuse of the appliance or use in a commercial environment.

This appliance is not designed to be used by people (including children) with reduced physical, sensorial or mental capacity, or who lack experience or knowledge about it, unless they have had supervision or instructions on how to use the appliance by someone who is responsible for their safety.

Under no circumstances should any external covers be removed for servicing or maintenance except by suitably qualified personnel.

### Appliance information:

Please enter the details on the appliance rating plate below for reference, to assist Customer Care in the event of a fault with your appliance and to register your appliance for guarantee purposes.

Appliance Model \_\_\_\_\_


Serial Number \_\_\_\_\_

### CE Declarations of Conformity:

This appliance has been manufactured to the strictest standards and complies with all applicable legislation, including Gas safety, Electrical safety (LVD) and Electromagnetic interference compatibility (EMC).

### IMPORTANT INFORMATION FOR CORRECT DISPOSAL OF THE PRODUCT IN ACCORDANCE WITH EC DIRECTIVE 2002/96/EC.

At the end of its working life, the product must be taken to a special local authority waste collection centre or to a dealer providing appliance recycling services. Disposing of a household appliance separately avoids possible negative consequences for the environment and health. It also enables the constituent materials to be recovered, saving both energy and resources.

As a reminder of the need to dispose of household appliances separately, the product is marked with a crossed-out wheeled dustbin. 

### Please note:

Under no circumstances should the extractor be connected to any gas ventilation system, flue system or hot air ducting system.

Do not vent the extractor into an attic or loft space.

Only house the extractor in rooms with adequate ventilation. Remember that the extractor is powerful and whatever air is extracted needs to be replaced.

Do not tile the extractor in. It should be removable for service or maintenance.

Do not use silicone sealant to secure the hood to the wall.

You must be able to isolate the extractor from the mains electrical supply after installation.

Steam cleaners must not be used when cleaning this appliance.

The performance of your extractor will vary depending on a number of factors. These include: type of extraction, length of ducting, room volume, ventilation available and cleanliness of the filters

## Using your Extractor

For best performance, you should switch on the extractor 15 minutes before starting to cook and leave it to run for approximately 15 minutes after the end of cooking.

### Control Panel

- A – Power off button
- B – Speed level buttons
- C – Light button

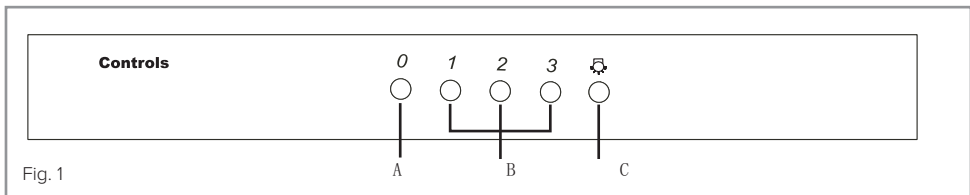


Fig. 1

### To switch the extractor light on or off

- Press button C.

### To switch on the extractor or change the motor speed at any time when the extractor is running

- Press the relevant speed button (B) for the first, second or third speed as required.

### To switch the extractor off

- Press button A.

## Care and Maintenance

**IMPORTANT : DO NOT PERFORM MAINTENANCE OR CLEANING OF THE EXTRACTOR WITHOUT FIRST SWITCHING OFF THE ELECTRICITY SUPPLY.**

### Cleaning

You should use a nonabrasive cleaner. Any abrasive cleaner (including Cif) will scratch the surface and could erase the control panel markings.

You can clean your extractor effectively by simply using a dilute solution of water and mild detergent and drying to a shine with a clean cloth.

### Cleaning the grease filter

The grease filter should be kept clean to minimise the risk of fire.

At least once a month you should remove and clean the grease filter with hot soapy water. You can also wash the grease filter in a dishwasher, ensuring that you place it in an upright position to prevent damage from other items in the dishwasher. After rinsing and drying, replace the filter.

To remove the grease filter, push in the button on the handle and then pull down on the filter at the front. When you have released it at the front, then you can pull out the filter. To replace the grease filter, repeat the steps in reverse.

### Please note:

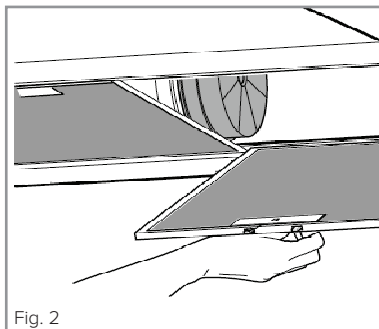
Cleaning the grease filter in the dishwasher may lead to discolouration. This is normal and does not constitute a fault with the appliance.

### Changing the charcoal filter (re-circulating only)

To ensure best performance of your extractor, you should replace the charcoal filter every four to six months, depending on use.

To attach a new charcoal filter, first remove the grease filters as described above.

Insert the charcoal filter into the guide on the side of the motor, then slide the filter in until it locks into place. Repeat with the second filter on the opposite side. Finally replace the grease filters.



## Changing the Light

**DO NOT CHANGE THE LIGHT BULB IMMEDIATELY AFTER USE AS THE BULB WILL BE HOT. ALLOW IT TO COOL BEFORE REMOVING IT.**

Remove the grease filters. Unscrew the light bulb and replace with the required light bulb as shown in the table below. Finally replace the grease filters.

Do not touch bulbs or adjacent areas during or straight after prolonged use of the lights.

The light is designed for use during cooking and not for general room illumination. Extended use of the light can reduce the life span of the bulb.

Bulb replacement is not covered by the guarantee.

Only use bulbs recommended for your extractor. Do not fit bulbs of a higher power rating.

Bulbs of a lower power rating may be adequate for use, generally last longer and use less energy.

<b>MH600X / MH600BK</b> <b>MH700X / MH700BK</b>	1x1.5W MAX
<b>MH900X / MH900BK</b> <b>MH1000X / MH1000BK</b>	2x1W MAX

Table 1

## PROTECTION LINE

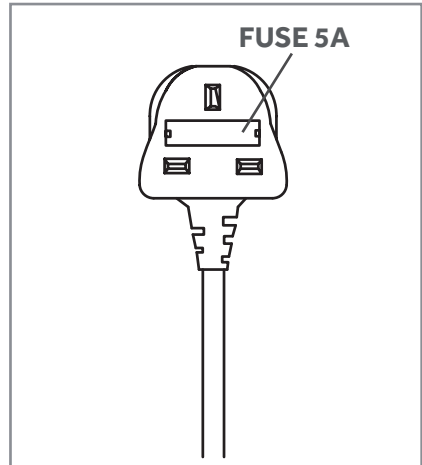
**5A Fuse is installed inside the plug to protection line.**

## Electrical Information

Mains electrical voltage: 230-240V ac, 50Hz

### Total rated power consumption:

MH600X / MH600BK / MH700X / MH700BK: 26.5W  
MH900X / MH900BK / MH1000X / MH1000BK: 27W



## Troubleshooting

### If your extractor is not working:

1. Check that the mains supply has not been switched off.
2. Check that the fuse in the spur has not blown.

## GUARANTEE

Your new product is guaranteed against defects in materials and/or workmanship. Any parts found to be defective will be repaired or replaced at our discretion. All repairs must be carried out by an authorised Repair Agent. Your extractor 2 years Parts 2 years Labour Guarantee.

### THIS GUARANTEE IS VALID PROVIDING THAT :

- The appliance has been installed by a suitably qualified person
- Installation has been carried out in accordance with instructions and current legislation
- Proof of purchase can be produced
- The appliance has been used for domestic purposes only
- The appliance has not been tampered with or repair attempted or modified by any unauthorised person

### THIS GUARANTEE DOES NOT COVER :

- Damage by misuse, neglect or transit
- Use of parts that have not been recommended
- Routine maintenance, general wear & tear and installation faults
- Rubber seals, removable glass and/or plastic parts, fuses or light bulbs which all need replacing periodically
- Second-hand or reconditioned appliances
- Appliances used for commercial or professional purposes

**This guarantee does not in any way affect your statutory legal rights.**

## Mounting your Extractor

When the extractor is to be installed above an electric hob, the minimum distance between the hob and extractor must exceed 600mm (650mm is recommended).

When the extractor is to be installed above a gas hob, the minimum distance between the hob and extractor must exceed 700mm (750mm is recommended).

If the instructions provided with your gas hob state that the required distance between the hob and extractor must be greater than 700mm, then that is the distance that should be observed; this is a legal requirement and may lead to your hob being disconnected from the gas supply and the installation being reported to RIDDOR (The height should be measured from the top of the burners).

**IN THE ABSENCE OF ANY INSTRUCTIONS SUPPLIED WITH THE GAS HOB, THE MINIMUM DISTANCE BETWEEN THE HOB AND EXTRACTOR MUST BE AT LEAST 760mm.**

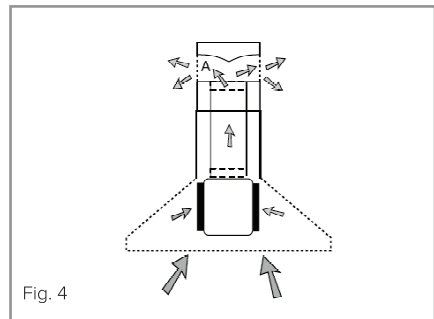
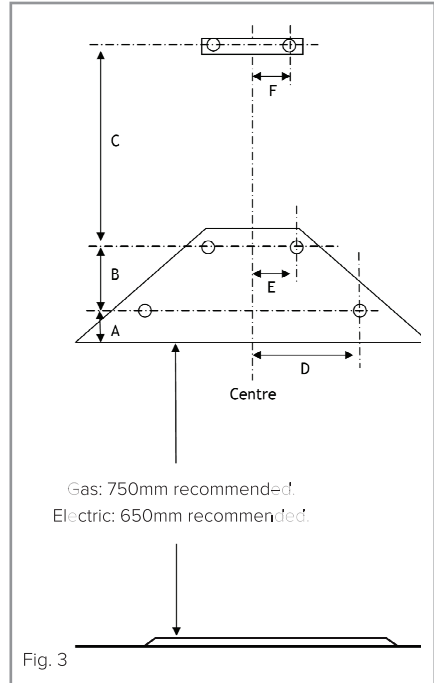
The width of any hob must not be greater than the width of the extractor installed above it. Fig. 3

## Ducting and Ventilation

For best performance and lowest noise output, we recommend the use of 125mm ducting. You can also use 100mm ducting but this will reduce performance and affect the noise level.

	MH600X MH600BK MH700X MH700BK	MH900X MH900BK MH1000X MH1000BK
<b>A</b>	60.5	60.5
<b>B</b>	120.5	120.5
<b>C*</b>	Height dependent	Height dependent
<b>D</b>	175	200
<b>E</b>	75	75
<b>F</b>	80	80

\* The actual height of C depends on the height of the ceiling and the position of the hob.



## INSTALLATION

Tools required

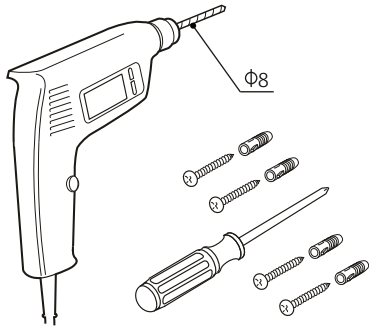


Fig. 5

Mark wall as required (see Fig.3)

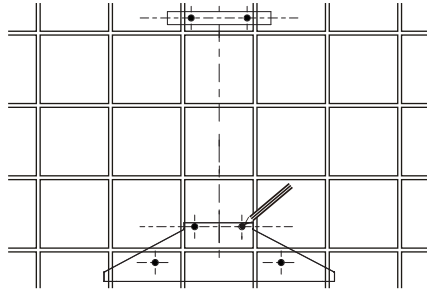


Fig. 6

Drill 4 holes for mounting the body

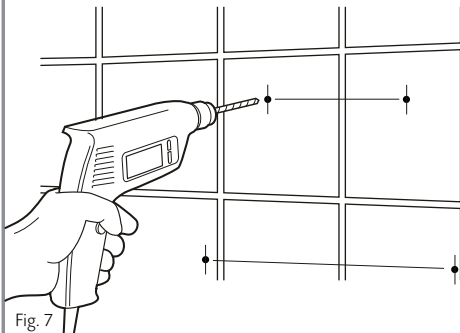


Fig. 7

Fit wall fixings and top screws - Ensure that any fixings you use are appropriate for the wall type.

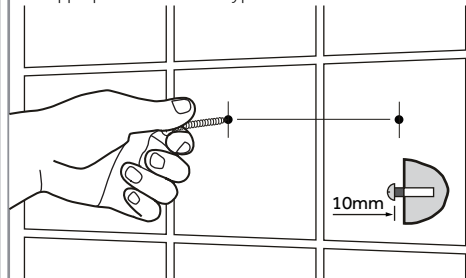


Fig. 8

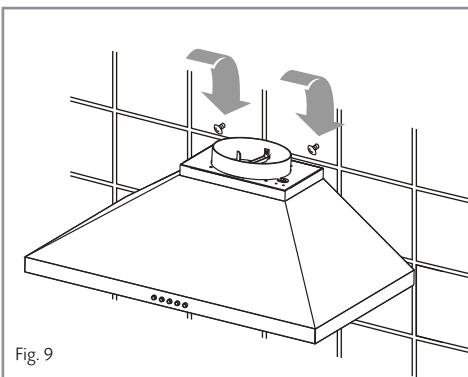


Fig. 9

Mount chimney brackets.

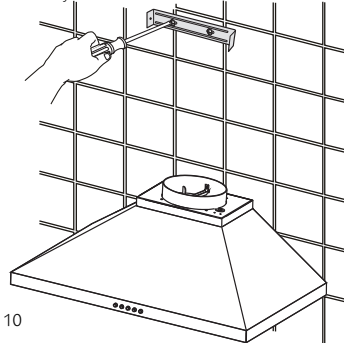


Fig. 10

**IMPORTANT SAFETY WARNING: ONLY USE THE SCREWS PROVIDED WITH THE EXTRACTOR TO MOUNT THE DUCTING ADAPTOR. THE USE OF LONGER SCREWS MAY CAUSE DAMAGE TO THE INTERNAL WIRING WHICH WILL NOT BE COVERED BY THE WARRANTY.**

Fix ducting (seal joints with circlips)

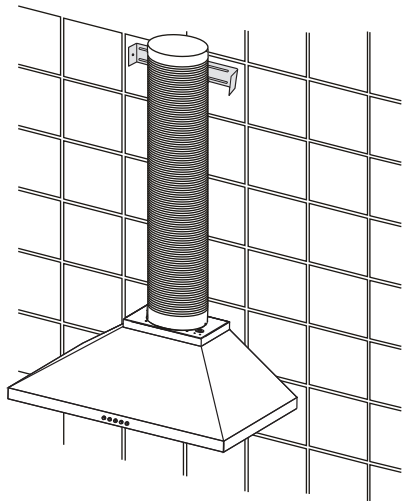


Fig. 11

Mount the chimney.

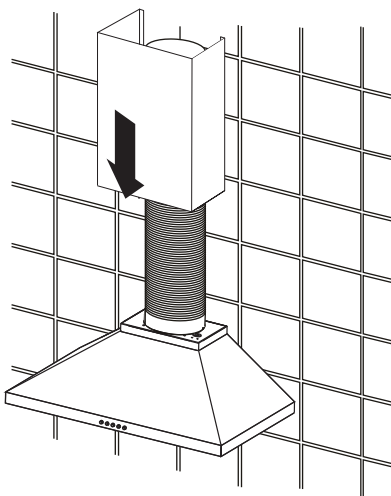


Fig. 12

Position screws.

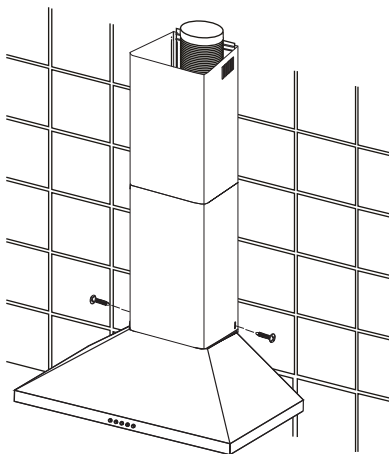


Fig. 13

Adjust and secure the chimney.

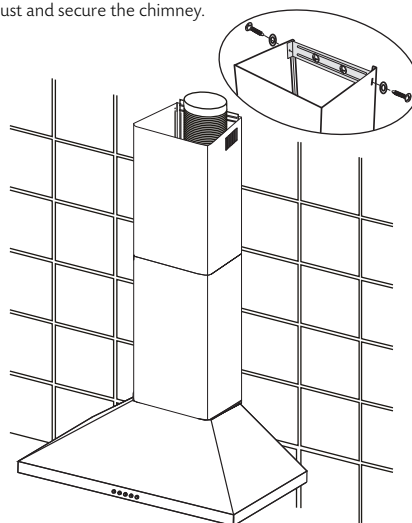


Fig. 14

**The metal casing of this appliance has been coated with a preservative to protect it during transport and storage. This should be removed during installation by using a non-abrasive stainless steel cleaner. Always follow the instructions given with the cleaner being used.**

## Energy Efficiency Information

Attribute	Symbol	Value		Units
Model Identification		MH600X MH600BK MH700X MH700BK	MH900X MH900BK MH1000X MH1000BK	
Annual Energy Consumption	$AEC_{Hood}$	15.1	15.5	kWh
Time Increase factor	f	1.7	1.7	
Fluid Dynamic Efficiency	$FDE_{Hood}$	8.7	8.7	
Energy Efficiency Index	$EEl_{Hood}$	52.8	53.8	
Measured Airflow at Best Efficiency Point	$Q_{BEP}$	181.9	181.9	m <sup>3</sup> /h
Measured Pressure at Best Efficiency Point	$P_{BEP}$	39	39	Pa
Maximum Airflow	$Q_{MAX}$	285.1	285.1	m <sup>3</sup> /h
Measured Electric Power at Best Efficiency Point	$W_{BEP}$	22.6	22.6	W
Nominal Lighting Power	WL	1.5	2	W
Average Illumination of the lighting system on the cooking surface	$E_{Middle}$	74	221	Lux
Measured Power Consumption in standby	$P_s$	--	--	W
Measured Power Consumption off mode	$P_o$	0.0	0.0	W
Noise level	$L_{WA}$	52	52	dBA
Grease Filter Efficiency	$GFE_{Hood}$	57.8(E)	57.8(E)	%
Lamp Efficiency	$LE_{Hood}$	49(A)	76(A)	%

E & O E. All instructions, dimensions and illustrations are provided for guidance only. MONTPELLIER reserve the right to change specifications without prior notice.

# Here For You

---

## After-sales assistance

If you continue to experience problems with your Chimney Hood, please call the Montpellier customer service helpline on: **03333 234 473**

Please have all your product details available, including the model number, serial number, date of purchase, and your retailer's details before registering a fault.

The service call cannot progress without this information.

## Your 2 year Manufacturer's guarantee

THIS DOES NOT AFFECT YOUR STATUTORY RIGHTS.

Your new Montpellier appliance carries a free guarantee which protects you against the cost of repairs during the first 24 months from date of purchase provided that:

Any claim is accompanied by evidence of the model reference, model serial number and proof of purchase, such as a Sales Receipt, showing that the appliance was purchased within the 24 months prior to the date of claim.

## What is not covered under the Guarantee

- Any appliance not correctly installed and operated in accordance with the manufacturer's instructions.
- Any appliance that is used for anything other than domestic purposes.
- Any defect caused by accident, misuse, unauthorised modification or inexpert repair.
- Cost of Call-out where a fault cannot be found with the appliance.
- Cost of Call-out for work covering routine maintenance, such as, but not exclusively, cleaning of filters or defrosting.
- Cost of Call-out for work required to correct the alignment of doors following door reversal procedures carried out by you.
- Use of the appliance by anyone other than the Householder.
- Use in any commercial environment.
- Consumable items, such as, but not exclusively, fuses in plugs, bulbs and breakable items which require routine replacement.
- Repair costs incurred that have not been authorised by Montpellier service and/or carried out by a non-approved Montpellier engineer.
- Montpellier Appliances do not accept claims for consequential loss, rusting, corroding, delivery damage or scratches.

## YOUR GUARANTEE IS VALID ONLY IN THE UK.

To register your appliance simply complete the card in your appliance pack and return it with a stamp affixed or alternatively you can register online at **[www.montpellier-appliances.com/support](http://www.montpellier-appliances.com/support)**

## SERVICE HELP-LINE

Should your appliance develop a fault, please call the Montpellier customer service helpline on: **03333 234 473**

Please remember to have all your product details available, including the model number, serial number, date of purchase and your retailer's details before registering a fault.

---

**Montpellier Domestic Appliances Ltd.**

Unit 1, Tewkesbury Retail Park, Northway Lane,  
Tewkesbury, Gloucestershire GL20 8JU

[www.montpellier-appliances.com](http://www.montpellier-appliances.com)



The symbol on the product or on its packaging indicates that this product may not be treated as household waste. Instead it shall be handed over to the applicable collection point for the recycling of electrical and electronic equipment. By ensuring this product is disposed of correctly, you will help prevent potential negative consequences for the environment and human health, which could otherwise be caused by inappropriate waste handling of this product. For more detailed information about recycling of this product, please contact your local city office, your household waste disposal service or the shop where you purchased the product.