

**Series 8, Washer dryer, 10.5/6 kg,
1400 rpm
WNC254ARGB**



The all-in-one laundry solution. Washer dryer with i-DOS automatic dosing and A-rated energy Class to save water, detergent and energy when washing. Auto dose, wash and dry at the touch of a button.

- **Hybrid Flex Air:** Highly efficient washing - Energy Class A
- **Wash & Dry 45:** wash and dry small loads efficiently in just 45 minutes.
- **Speed Perfect:** Cuts the cycle time by up to 65%* without compromising on results.
- **Auto Dry:** Automatically senses when your load is dried.
- **i-DOS:** Save water and detergent.

Technical Data

Energy Efficiency Class Wash/Dry cycle(Regulation):	D
Energy Efficiency Class Eco 40-60 programme (Regulation):	A
Weighted energy consumption in kWh per 100 full Wash/Dry cycles	3.05 kWh/100 cycles
Weighted energy consumption in kWh per 100 washing cycles of eco 40-60 programme:	52 kWh/100 cycles
Maximum capacity in kg in a Wash/Dry cycle:	6.0 kg
Maximum capacity in kg in a wash cycle:	10.5 kg
The water consumption of the full wash and dry cycle in liters per cycle:	75 l
The water consumption of the eco programme in liters per cycle:	50 l
Duration of the full wash and dry cycle in hours and mins at rated capacity:	8:20 h
Duration of eco 40-60 programme in hours and mins at rated capacity:	4:00 h
Spin-drying efficiency class of eco 40-60 programme:	B
Airborne acoustical noise emissions :	70 dB(A) re 1pW
Airborne acoustical noise emission class:	A
Built-in / Free-standing:	Freestanding
Removable top:	No
Door hinge:	Left
Length electrical supply cord:	210 cm
Dimensions of the product:	848x598x622 mm
Net weight:	86.4 kg
Drum volume:	65 l
EAN code:	4242005349180

Optional accessories

- WMZ2200 Floor securing component
- WMZ2381 Extension for cold water inlet /Aquastop
- WMZMPF10 Microplastic Filter



Series 8, Washer dryer, 10.5/6 kg, 1400 rpm WNC254ARGB

The all-in-one laundry solution. Washer dryer with i-DOS automatic dosing and A-rated energy Class to save water, detergent and energy when washing. Auto dose, wash and dry at the touch of a button.

Performance

- Energy Efficiency Class Wash and Dry¹: D
- Energy Efficiency Class Washing²: A
- Energy³ / Water⁴ Wash and Dry: 305 kWh / 75 litres
- Energy⁵ / Water⁶ Washing: 52 kWh / 50 litres
- Load capacity Wash and Dry / Washing: 1 - 6 kg / 1 - 10.5 kg
- Programme duration⁷ Wash and Dry / Washing: 8:20 h:min / 4:00 h:min
- Spin drying efficiency class: EU19_spin efficiency class: B
- Spin speed^{**}: 400 - 1400 rpm
- Noise level: 70 dB (A) re 1 pW
- Noise efficiency class: A

Programmes/functions

- Special programmes washing: Automatic Gentle, Super Quick 15, Drain / Spin, Remote Program, Sportswear, Single Rinse
- Most common washing programmes can be used as solo-drying programme or as washing and drying in one go programme
- Special programmes drying: Refresh

Key features

- Home Connect: Remote Monitoring and Control, Energy Management, Remote Diagnostics, further programmes via download. Always keep your appliance up to date via firmware update.
- i-DOS: automatic dosing of liquid detergent and softener
- SpeedPerfect: perfectly clean in up to 65% less time. ***
- Options washing: Easy iron, Spin speed selection, extra rinse, AntiStain +, HygieneCare, i-DOS 2.0 1, i-DOS 2.0 2, Child lock, Memory, Remote Start, SpeedPerfect, Start / Pause, Temperature selection, Prewash, Time delay
- Options drying: Iron Dry, Solo Dry, Cupboard Dry, Cupboard Dry Plus, Drying aim, Wash + Dry
- Drying options for most wash programmes
- Autodry function, Timed drying programmes

Additional features

- Reload function: Flexibility to add or remove laundry items of any size even after start of the wash cycle.
- Exceptional convenience thanks to the inclined ergonomic control panel
- Hybrid FlexAir system for energy saving when washing
- AquaStop: Bosch home appliance with lifetime warranty against water damage*
- EcoSilence drive with 10 year warranty
- EcoSilence drive with 10 year warranty
- Large LED-Display for programme status indication, temperature

selection, spin speed, remaining time and 24 hours end time delay, load recommendation and consumption indication

- Drum volume: 65 litres
- WaveDrum - Gentle washing thanks to a unique drum structure
- Drum interior light
- Usage meter: counts completed programmes
- ActiveWater Plus: for highly efficient use of water even with smaller loads thanks to automatic load detection.
- AntiVibration Design - for more stability and quietness
- Sound insulation by additional noise reduction material
- Sound insulation by additional noise reduction material
- Foam detection system
- Safeguard monitoring system adjusts load distribution and programme settings to protect clothes
- Buzzer to indicate the end of cycle
- Maintenance free condenser: automatic fluff removal
- Child lock
- White door with 180° opening door
- Left hinged door
- Metal door catch

Technical Information

- Slide-under installation
- Dimensions (H x W): 84.8 cm x 59.8 cm
- Appliance depth: 62.2 cm
- Appliance depth incl. door: 65.4 cm
- Appliance depth with open door: 114.2 cm

^{1 2} Scale of Energy Efficiency Classes from A to G

³ Energy consumption in kWh per 100 complete cycles (in Eco 40-60 programme)

⁴ Water consumption in litres per complete cycle (in Eco 40-60 programme)

⁵ Energy consumption in kWh per 100 washing cycles (in Eco 40-60 programme)

⁶ Weighted water consumption in litres per washing cycle (in Eco 40-60 programme)

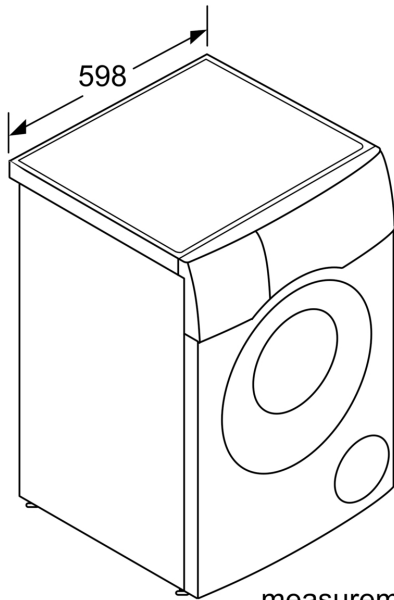
⁷ Duration of Eco 40-60 programme, Wash and Dry cycle / Wash only cycle

** Values are rounded.

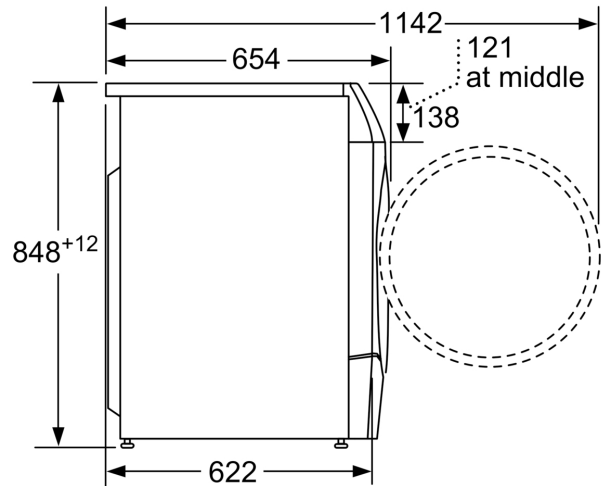
* Please find warranty terms under the additional warranties section of our website.

*** Comparison between the program duration of Easy-care 40°C and the program duration of Easy-care 40°C + activated Speed option

**Series 8, Washer dryer, 10.5/6 kg,
1400 rpm
WNC254ARGB**



measurements in mm



measurements in mm