

Series 6, Washer dryer, 7/4 kg WKD28543GB



With AutoDry: reliably washes your laundry and gently dries it to exactly the degree of dryness you want.

- **7/4 kg load capacity:** wash 7 kg, dry 4 kg.
- **Auto Dry:** Automatically senses when your load is dried.
- **Quiet Wash:** special wash programme which reduces the spin speed for a quieter environment.
- **Super Quick 15':** Quick wash cycle, washes up to 2 kg of laundry in just 15 min.
- **Sportswear:** ideal for washing and drying textiles like microfibre, functional fibres and synthetics.

Technical Data

| | |
|---|-------------------------|
| Energy Efficiency Class Wash/Dry cycle(Regulation): |E |
| Energy Efficiency Class Eco 40-60 programme (Regulation): | E |
| Weighted energy consumption in kWh per 100 full Wash/Dry cycle | 266 kWh/100 cycles |
| Weighted energy consumption in kWh per 100 washing cycles of eco 40-60 programme: | 77 kWh/100 cycles |
| Maximum capacity in kg in a Wash/Dry cycle: | 4.0 kg |
| Maximum capacity in kg in a wash cycle: | 7.0 kg |
| The water consumption of the full wash and dry cycle in liters per cycle: | 68 l |
| The water consumption of the eco programme in liters per cycle: | 44 l |
| Duration of the full wash and dry cycle in hours and mins at rated capacity: | 5:30 h |
| Duration of eco 40-60 programme in hours and mins at rated capacity: | 2:50 h |
| Spin-drying efficiency class of eco 40-60 programme: | B |
| Airborne acoustical noise emissions : | 72 dB(A) re 1pW |
| Airborne acoustical noise emission class: | A |
| Built-in / Free-standing: | Built-in |
| Removable top: | No |
| Door hinge: | Left |
| Length electrical supply cord: | 220 cm |
| Dimensions of the product: | 820x595x584 mm |
| Net weight: | 82.1 kg |
| Drum volume: | 52 l |
| EAN code: | 4242005418374 |

Optional accessories

- WMZMPF10 Microplastic Filter
- WMZ2200 Floor securing component



Series 6, Washer dryer, 7/4 kg WKD28543GB

With AutoDry: reliably washes your laundry and gently dries it to exactly the degree of dryness you want.

Performance

- Energy Efficiency Class Wash and Dry¹: E
- Energy Efficiency Class Washing²: E
- Energy³ / Water⁴ Wash and Dry: 266 kWh / 68 litres
- Energy⁵ / Water⁶ Washing: 77 kWh / 44 litres
- Load capacity Wash and Dry / Washing: 1 - 4 kg / 1 - 7 kg
- Programme duration⁷ Wash and Dry / Washing: 5:30 h:min / 2:50 h:min
- Spin drying efficiency class: EU19_spin efficiency class: B
- Spin speed^{**}: 600 - 1355 rpm
- Noise level: 72 dB (A) re 1 pW
- Noise efficiency class: A

Programmes/functions

- Special programmes: 30°C, 40°C, 60°C, cold wash option, Intensive, Prewash, Quick, Night Wash, Mixed Load, Sportswear, Super Quick 15, rinsing/spinning, fluff clean, Drain / Spin, Allergy +, Handwash/Wool, 40°C, Wool Programme, Delicates 30°C, 40°C, Cold, Delicate / Silk
- Special programme - drying: fluff removal cycle

Key features

- Buttons: Start, Spin speed reduction, Change, menu, drying time, Temperature selection and 24 hour Ready in Start time delay

Additional features

- AquaStop: Bosch home appliance with lifetime warranty against water damage*
- Large display for programme progress indication, temperature, spin speed, time remaining and 24 hours time delay, and indication of drying level
- Fully electronic control dial for all wash and special programmes
- Autodry function, Timed drying programmes
- AquaSpa wash system
- ActiveWater Plus: for highly efficient use of water even with smaller loads thanks to automatic load detection.
- Foam detection system
- Safeguard monitoring system adjusts load distribution and programme settings to protect clothes
- Buzzer to indicate the end of cycle
- Child lock
- White door with 180° opening door
- Left hinged door
- Metal door catch
- Reload facility

Technical Information

- adjustable base height: 16.5 cm
- adjustable base depth: 6.5 cm
- Dimensions (H X W X D): 82 x 59.5 x 56 cm
- Height adjustment with cardanDrive
- Fully integrated

^{1 2} Scale of Energy Efficiency Classes from A to G

³ Energy consumption in kWh per 100 complete cycles (in Eco 40-60 programme)

⁴ Water consumption in litres per complete cycle (in Eco 40-60 programme)

⁵ Energy consumption in kWh per 100 washing cycles (in Eco 40-60 programme)

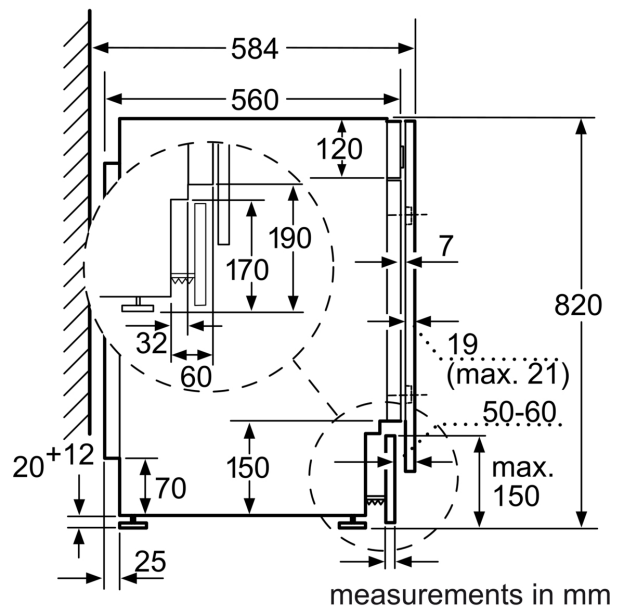
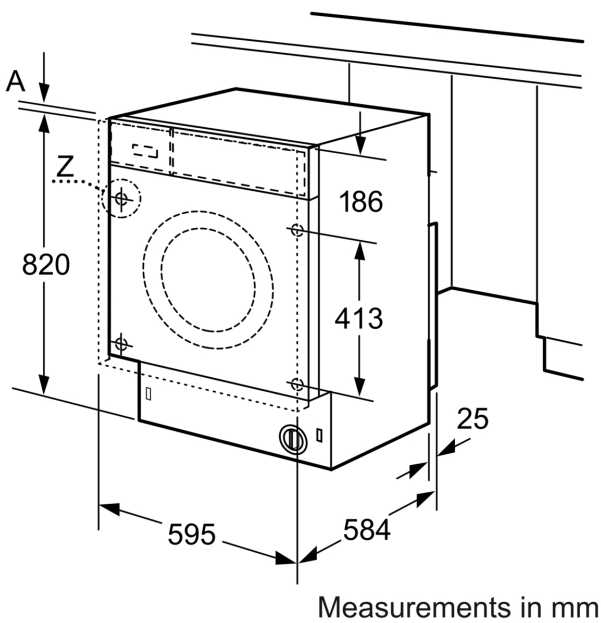
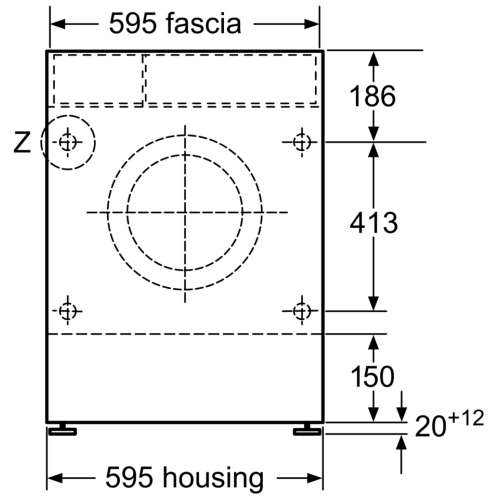
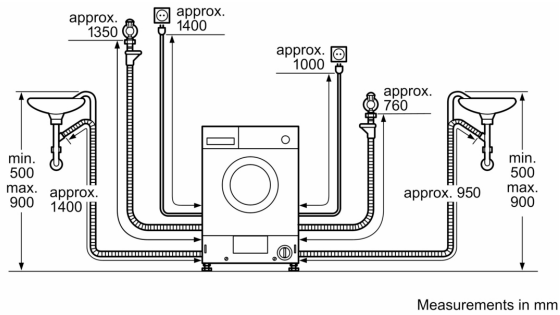
⁶ Weighted water consumption in litres per washing cycle (in Eco 40-60 programme)

⁷ Duration of Eco 40-60 programme, Wash and Dry cycle / Wash only cycle

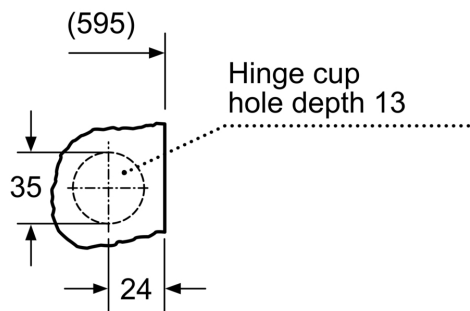
** The maximum spin speed is automatically reduced in the case of laundry imbalances.

* Please find warranty terms under the additional warranties section of our website.

**Series 6, Washer dryer, 7/4 kg
WKD28543GB**



Z detail



Measurements in mm