

**Series 6, Built-in washing machine, 8 kg, max. 1400 rpm  
WIW28302GB**



**Washing machine with EcoSilence Drive: enjoy very quiet operation and excellent durability.**

- **Speed Perfect:** Cuts the cycle time by up to 65%\* without compromising on results.
- **Eco Silence Drive™:** quiet and energy-efficient drive, with a 10-year warranty.
- **Anti Vibration™ sidewall:** extremely stable and especially quiet, thanks to special vibration protection.
- **Active Water Plus:** uses only the precise amount of water needed for every wash.
- **AllergyPlus:** developed for allergy sufferers and people with sensitive skin.

**Technical Data**

Energy Efficiency Class <sup>1</sup> : .....	C
Weighted energy consumption in kWh per 100 washing cycles of eco 40-60 programme: .....	62 kWh/100 cycles
Rated capacity, in kg, for the eco programme at full load (EU 2017/1369): .....	8.0 kg
The water consumption of the eco programme in liters per cycle: 45 l	
Duration of eco 40-60 programme in hours and mins at rated capacity: .....	3:26 h
Spin-drying efficiency class of eco 40-60 programme: .....	B
Airborne acoustical noise emission class: .....	A
Airborne acoustical noise emissions : .....	66 dB(A) re 1pW
Built-in / Free-standing: .....	Built-in
Dimensions of the product: .....	818x596x544 mm
Net weight: .....	76.1 kg
Connection rating: .....	2300 W
Fuse protection: .....	10 A
Voltage: .....	220-240 V
Frequency: .....	50 Hz
Length electrical supply cord: .....	210 cm
Door hinge: .....	Left
Wheels: .....	No
EAN code: .....	4242005348343
Installation typology: .....	Integrated

**Optional accessories**

WMZ2200	Floor securing component
WMZ2381	Extension for cold water inlet /Aquastop
WMZ30400	Height-adjustable feet
WMZMPF10	Microplastic Filter



<sup>1</sup> Scale of Energy Efficiency Classes from A to G

## **Series 6, Built-in washing machine, 8 kg, max. 1400 rpm WIW28302GB**

### **Washing machine with EcoSilence Drive: enjoy very quiet operation and excellent durability.**

\*\* The maximum spin speed is automatically reduced in the case of laundry imbalances.

\* Please find warranty terms under the additional warranties section of our website.

#### **Performance**

- Energy Efficiency Class<sup>1</sup>: C
- Energy<sup>2</sup> / Water<sup>3</sup>: 62 kWh / 45 litres
- Load capacity: 1 - 8 kg
- Programme duration<sup>4</sup>: 3:26 h:min
- Spin drying efficiency class: B
- Spin speed<sup>\*\*</sup>: 400 - 1400 rpm
- Noise level: 66 dB (A) re 1 pW
- Noise efficiency class: A
- Fully integrated

#### **Programmes/functions**

##### **Key features**

- Touch control buttons: Ready in, SpeedPerfect, start/pause with reload function, Spin speed reduction

##### **Additional features**

- Reload function: Flexibility to add or remove laundry items of any size even after start of the wash cycle.
- Large display for programme progress indication, spin speed, remaining time, 24 hour end time delay and load recommendation.
- EcoSilence drive with 10 year warranty
- AquaStop: Bosch home appliance with lifetime warranty against water damage\*
- Continuous automatic load adjustment system
- Foam detection system
- Safeguard monitoring system adjusts load distribution and programme settings to protect clothes
- Noise insulation: bottom cover
- AntiVibration Design - for more stability and quietness
- Detergent dispensing: easy clean
- Divider for Liquid Detergent
- Buzzer to indicate the end of cycle
- Large white door with 130° opening and 30 cm porthole
- Furniture door is reversible
- Metal door catch

##### **Technical Information**

- adjustable base height: 15 cm
- adjustable base depth: 6.5 cm
- Height adjustment with cardanDrive

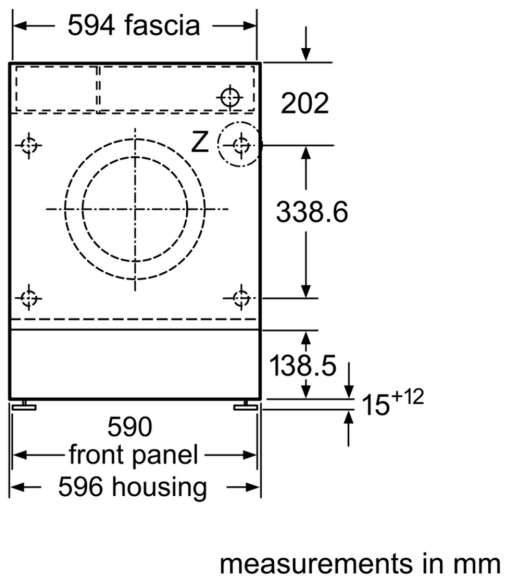
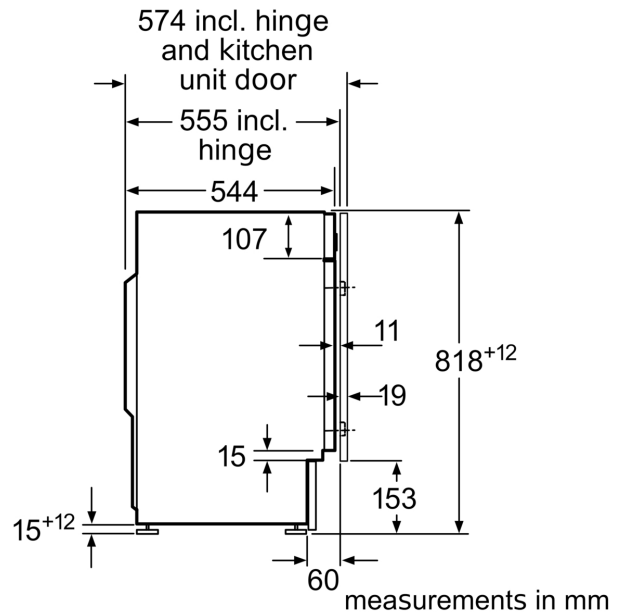
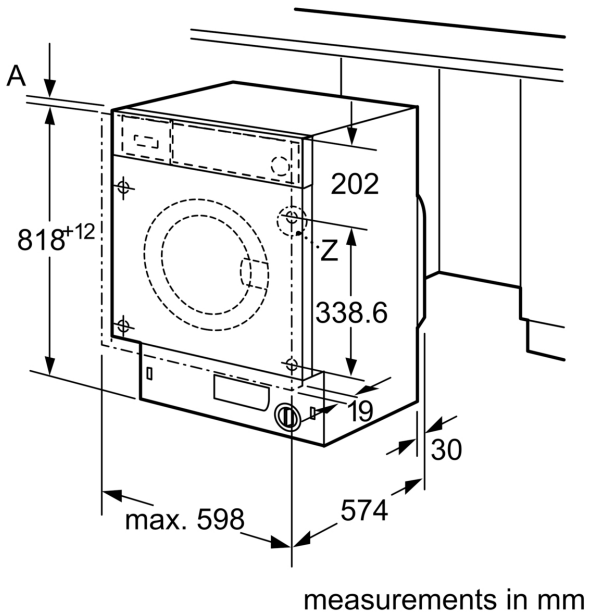
<sup>1</sup> Scale of Energy Efficiency Classes from A to G

<sup>2</sup> Energy consumption in kWh per 100 cycles (in programme Eco 40-60)

<sup>3</sup> Weighted water consumption in litres per cycle (in programme Eco 40-60)

<sup>4</sup> Duration of Eco 40-60 programme

**Series 6, Built-in washing machine, 8 kg, max. 1400 rpm  
WIW28302GB**



Z detail

