

**Series 6, Washing machine, front loader, 9 kg, max. 1400 rpm, Cast iron grey  
WGG244ZCGB**



**Perfect results with minimum energy and water consumption, thanks to energy Class A and ActiveWater Plus.**

- **A rated:** save energy with our most efficient A rated appliances
- **Speed Perfect:** Cuts the cycle time by up to 65%\* without compromising on results.
- **Iron Assist:** Reduces wrinkles and your ironing pile
- **Anti Stain:** reliably removes four of the most common stains.
- **Eco Silence Drive™:** quiet and energy-efficient drive, with a 10-year warranty.

**Technical Data**

Energy Efficiency Class <sup>1</sup> :	.....A
Weighted energy consumption in kWh per 100 washing cycles of eco 40-60 programme:	.....49 kWh/100 cycles
Rated capacity, in kg, for the eco programme at full load (EU 2017/1369):	.....9.0 kg
The water consumption of the eco programme in liters per cycle:	50 l
Duration of eco 40-60 programme in hours and mins at rated capacity:	.....3:48 h
Spin-drying efficiency class of eco 40-60 programme:	.....B
Airborne acoustical noise emission class:	.....A
Airborne acoustical noise emissions :	.....71 dB(A) re 1pW
Built-in / Free-standing:	.....Freestanding
Dimensions of the product:	.....845x598x590 mm
Net weight:	.....72.5 kg
Connection rating:	.....2300 W
Fuse protection:	.....10 A
Voltage:	.....220-240 V
Frequency:	.....50 Hz
Length electrical supply cord:	.....210 cm
Door hinge:	.....Left
Wheels:	.....No
EAN code:	.....4242005456536
Installation typology:	.....Free-standing

**Optional accessories**

- WMZ2200 Floor securing component
- WMZ2381 Extension for cold water inlet /Aquastop
- WMZMPF10 Microplastic Filter



<sup>1</sup> Scale of Energy Efficiency Classes from A to G

## Series 6, Washing machine, front loader, 9 kg, max. 1400 rpm, Cast iron grey WGG244ZCGB

### Perfect results with minimum energy and water consumption, thanks to energy Class A and ActiveWater Plus.

#### Performance

- Energy Efficiency Class<sup>1</sup>: A
- Energy<sup>2</sup> / Water<sup>3</sup>: 49 kWh / 50 litres
- Load capacity: 1 - 9 kg
- Programme duration<sup>4</sup>: 3:48 h:min
- Spin drying efficiency class: B
- Spin speed<sup>\*\*</sup>: 0 - 1400 rpm
- Noise level: 71 dB (A) re 1 pW
- Noise efficiency class: A

#### Programmes/functions

- Standard programmes: cottons, easy care, delicates, wool hand wash
- Iron Assist: Steam programme that reduces wrinkles on dry clothes
- Special programmes: Drum clean with reminder, Jeans, Drain / Spin, Mixed Load, Sportswear, Single Rinse, Super Quick 15/30, Hygiene

#### Key features

- SpeedPerfect: perfectly clean in up to 65% less time. \*\*\*
- AntiStain - 4 stain removal options at the touch of a button
- Touch control buttons: Reduced Ironing option, Ready in, stain selection, start/pause with reload function, Temperature selection, SpeedPerfect, Prewash, Spin speed reduction, Aqua Plus/Rinse Hold

#### Additional features

- Reload function: Flexibility to add or remove laundry items of any size even after start of the wash cycle.
- Large LED-Display for programme status indication, max. spin speed, remaining time and 24 h end time delay and load recommendation
- Hygiene Plus: clean laundry and effective removal of germs
- Drum volume: 65 litres
- Usage meter: counts completed programmes
- Drum interior light
- VarioDrum: gentle and efficient washing
- Drum clean with reminder function
- Large silver-black grey door with 165° opening
- Reload function: Flexibility in adding laundry items into the drum, even after the wash cycle has started.
- EcoSilence drive with 10 year warranty
- EcoSilence drive with 10 year warranty
- ActiveWater Plus: for highly efficient use of water even with smaller loads thanks to automatic load detection.
- AntiStain
- AntiVibration Design - for more stability and quietness
- Aqua Protection
- soft dial

- Foam detection system
- Safeguard monitoring system adjusts load distribution and programme settings to protect clothes
- Child lock
- Acoustic signals: Buzzer
- Detergent dispensing: easy clean
- Divider for Liquid Detergent

#### Technical Information

- Slide-under installation
- Dimensions (H x W): 84.5 cm x 59.8 cm
- Appliance depth: 59.0 cm
- Appliance depth incl. door: 63.6 cm
- Appliance depth with open door: 107.3 cm

<sup>1</sup> Scale of Energy Efficiency Classes from A to G

<sup>2</sup> Energy consumption in kWh per 100 cycles (in programme Eco 40-60)

<sup>3</sup> Weighted water consumption in litres per cycle (in programme Eco 40-60)

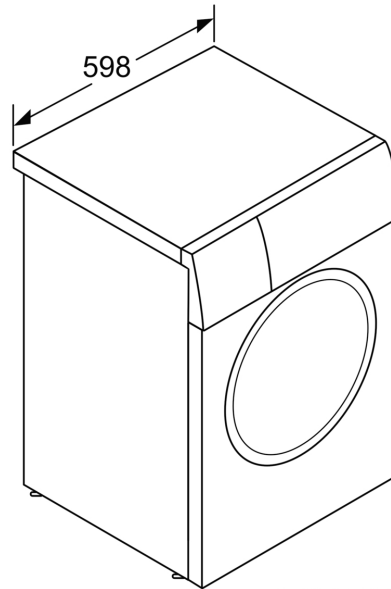
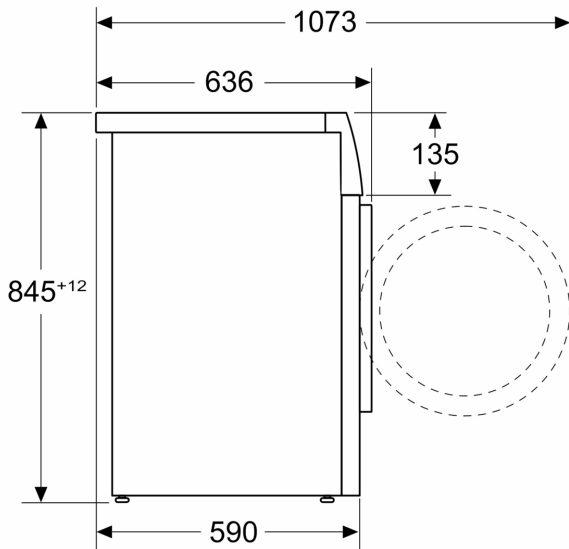
<sup>4</sup> Duration of Eco 40-60 programme

\*\* The maximum spin speed is automatically reduced in the case of laundry imbalances.

\*\*\* Comparison between the program duration of Easy-care 40°C and the program duration of Easy-care 40°C + activated Speed option

**Series 6, Washing machine, front loader, 9 kg, max. 1400 rpm, Cast iron grey  
WGG244ZCGB**

Measurements in mm



measurements in mm