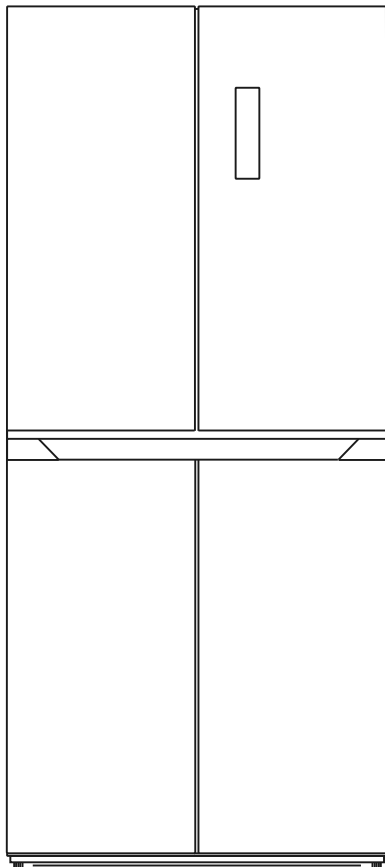




Refrigerator freezer / User Manual








**TMD19091SIBI**



**Thank you for choosing this product.**

This user manual contains important information on safety and instructions intended to assist you in the operation and maintenance of your appliance.

Please take the time to read this user manual before using your appliance and keep this book for future reference.

Icon	Type	Meaning
	<b>WARNING</b>	Serious injury or death risk
	<b>RISK OF ELECTRIC SHOCK</b>	Dangerous voltage risk
	<b>FIRE</b>	Warning; Risk of fire / flammable materials
	<b>CAUTION</b>	Injury or property damage risk
	<b>IMPORTANT</b>	Operating the system correctly

# CONTENTS

<b>1 SAFETY INSTRUCTIONS .....</b>	<b>4</b>
1.1 General Safety Warnings .....	4
1.2 Installation warnings .....	8
1.3 Electrical information (For UK type plug).....	8
1.4 During Usage.....	9
<b>2 Overview.....</b>	<b>11</b>
<b>3 Installation.....</b>	<b>12</b>
<b>4 Daily Use.....</b>	<b>18</b>

# 1 SAFETY INSTRUCTIONS

## 1.1 General Safety Warnings

**Read this user manual carefully.**

**⚠ WARNING:** Keep ventilation openings, in the appliance enclosure or in the built-in structure, clear of obstruction.

**⚠ WARNING:** Do not use mechanical devices or other means to accelerate the defrosting process, other than those recommended by the manufacturer.

**⚠ WARNING:** Do not use electrical appliances inside the food storage compartments of the appliance, unless they are of the type recommended by the manufacturer.

**⚠ WARNING:** Do not damage the refrigerant circuit.

**⚠ WARNING:** When positioning the appliance, ensure the supply cord is not trapped or damaged.

**⚠ WARNING:** Do not locate multiple portable socket-outlets or portable power supplies at the rear of the appliance.

**⚠ WARNING:** In order to avoid any hazards resulting from the instability of the appliance, it must be fixed in accordance with the instructions.

**⚠** If your appliance uses R600a as a refrigerant (this information will be provided on the label of the cooler) you should take care during transportation and installation to prevent the cooler elements from being damaged. R600a is an environmentally friendly and

natural gas, but it is explosive. In the event of a leak due to damage of the cooler elements, move your fridge away from open flames or heat sources and ventilate the room where the appliance is located for a few minutes.

- While carrying and positioning the fridge, do not damage the cooler gas circuit.
- Do not store explosive substances such as aerosol cans with a flammable propellant in this appliance.
- This appliance is intended to be used in household and domestic applications such as:
  - staff kitchen areas in shops, offices and other working environments.
  - farm houses and by clients in hotels, motels and other residential type environments.
  - bed and breakfast type environments;
  - catering and similar non-retail applications.
- If the socket does not match the refrigerator plug, it must be replaced by the manufacturer, a service agent or similarly qualified persons in order to avoid a hazard.
- A specially grounded plug has been connected to the power cable of your refrigerator. This plug should be used with a specially grounded socket of 13 amperes. If there is no such socket in your house, please have one installed by an authorised electrician.

- This appliance can be used by children aged from 8 years and above and persons with reduced physical, sensory or mental capabilities or lack of experience and knowledge if they have been given supervision or instruction concerning use of the appliance in a safe way and understand the hazards involved. Children shall not play with the appliance. Cleaning and user maintenance shall not be made by children without supervision.
- Children aged from 3 to 8 years are allowed to load and unload refrigerating appliances. Children are not expected to perform cleaning or user maintenance of the appliance, very young children (0-3 years old) are not expected to use appliances, young children (3-8 years old) are not expected to use appliances safely unless continuous supervision is given, older children (8-14 years old) and vulnerable people can use appliances safely after they have been given appropriate supervision or instruction concerning use of the appliance. Very vulnerable people are not expected to use appliances safely unless continuous supervision is given.
- If the supply cord is damaged, it must be replaced by the manufacturer, an authorised service agent or similar qualified persons, in order to avoid a hazard.
- This appliance is not intended for use at altitudes exceeding 2000 m.

**To avoid contamination of food, please respect the following instructions:**

- Opening the door for long periods can cause a significant increase of the temperature in the compartments of the appliance.
- Clean regularly surfaces that can come in contact with food and accessible drainage systems
- Store raw meat and fish in suitable containers in the refrigerator, so that it is not in contact with or drip onto other food.
- Two-star frozen-food compartments are suitable for storing pre-frozen food, storing or making ice cream and making ice cubes.
- One-, two- and three-star compartments are not suitable for the freezing of fresh food.
- If the refrigerating appliance is left empty for long periods, switch off, defrost, clean, dry, and leave the door open to prevent mould developing within the appliance.

## 1.2 Installation warnings


Before using your fridge for the first time, please pay attention to the following points:

- The operating voltage for your fridge is 220-240 V at 50Hz.
- The plug must be accessible after installation.
- Your fridge may have an odour when it is operated for the first time. This is normal and the odour will fade when your fridge starts to cool.
- Before connecting your fridge, ensure that the information on the data plate (voltage and connected load) matches that of the mains electricity supply. If in doubt, consult a qualified electrician.
- Insert the plug into a socket with an efficient ground connection. If the socket has no ground contact or the plug does not match, we recommend you consult a qualified electrician for assistance.
- The appliance must be connected with a properly installed fused socket. The power supply (AC) and voltage at the operating point must match with the details on the name plate of the appliance (the name plate is located on the inside left of the appliance).
- We do not accept responsibility for any damages that occur due to ungrounded usage.
- Place your fridge where it will not be exposed to direct sunlight.
- Your fridge must never be used outdoors or exposed to rain.
- Your appliance must be at least 50 cm away from stoves, gas ovens and heater cores, and at least 5 cm away from electrical ovens.
- If your fridge is placed next to a deep freezer, there must be at least 2 cm between them to prevent humidity forming on the outer surface.
- Do not cover the body or top of fridge with lace. This will affect the performance of your fridge.
- Clearance of at least 150 mm is required


at the top of your appliance. Do not place anything on top of your appliance.

- Do not place heavy items on the appliance.
- Clean the appliance thoroughly before use (see Cleaning and Maintenance).
- Before using your fridge, wipe all parts with a solution of warm water and a teaspoon of sodium bicarbonate. Then, rinse with clean water and dry. Return all parts to the fridge after cleaning.
- Use the adjustable front legs to make sure your appliance is level and stable. You can adjust the legs by turning them in either direction. This must be done before placing food in the appliance.

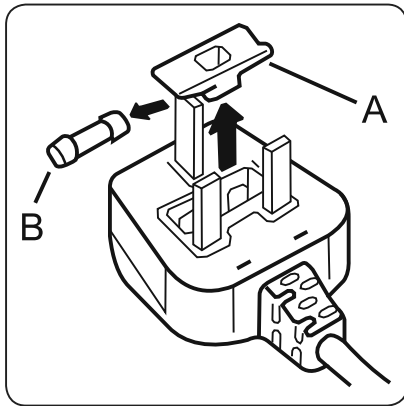
## 1.3 Electrical information (For UK type plug)

 **Warning!** This appliance must be earthed.

The mains lead of this appliance has been fitted with a specially earthed plug.

 **Important:** Do not use the appliance without the fuse cover in position. Should the fuse need to be replaced, it must be replaced with a 13A fuse, ASTA approved to BS1362.

The plug must be used with a specially earthed socket of 13 amperes. If there is no such socket in your house, please have one installed by an authorised electrician.



The mains lead of this appliance has been fitted with a BS 1363A 13A fused plug. To change a fuse in this type of plug, follow the steps below:

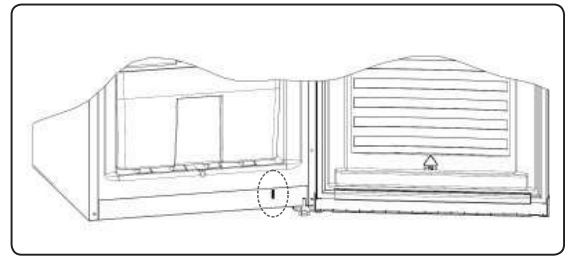
1. Remove the fuse cover and fuse.
2. Fit replacement 13A fuse, ASTA approved to BS 1362 type, into the fuse cover.
3. Replace fuse cover.

#### 1.4 During Usage

- Do not connect your fridge to the mains electricity supply using an extension lead.
- Do not use damaged, torn or old plugs.
- Do not pull, bend or damage the cord.
- Do not use plug adapter.
- This appliance is designed for use by adults. Do not allow children to play with the appliance or hang off the door.
- Never touch the power cord/plug with wet hands. This may cause a short circuit or electric shock.
- Do not place explosive or flammable material in your fridge. Place drinks with high alcohol content vertically in the fridge compartment and make sure their tops are tightly closed.

When the door of the fridge is closed, a vacuum seal will form. Wait for 1 minute before reopening it.

This application is optional for easy opening of the door. With this application, a little condensation may occur around this area and you may remove it.



#### Old and Out-of-order Fridges

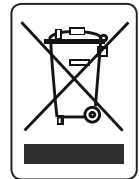
- If your old fridge or freezer has a lock, break or remove the lock before discarding it, because children may get trapped inside it and may cause an accident.
- Old fridges and freezers contain isolation material and refrigerant with CFC. Therefore, take care not to harm environment when you are discarding your old fridges.

#### CE Declaration of conformity

We declare that our products meet the applicable European Directives, Decisions and Regulations and the requirements listed in the standards referenced.

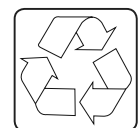
#### Disposal of your old appliance

The symbol on the product or on its packaging indicates that this product may not be treated as household waste. Instead it shall be handed over to the applicable collection point for the recycling of electrical and electronic equipment. By ensuring this product is disposed of correctly, you will help prevent potential negative consequences for the environment and human health, which could otherwise be caused by inappropriate waste handling of this product. For more detailed information about recycling of this product, please contact your local city office, your household waste disposal service or the shop where you purchased the product.



#### Packaging and the Environment

Packaging materials protect your machine from damage that may occur during transportation. The packaging materials are environmentally friendly as they are recyclable. The use of recycled material reduces raw material consumption and



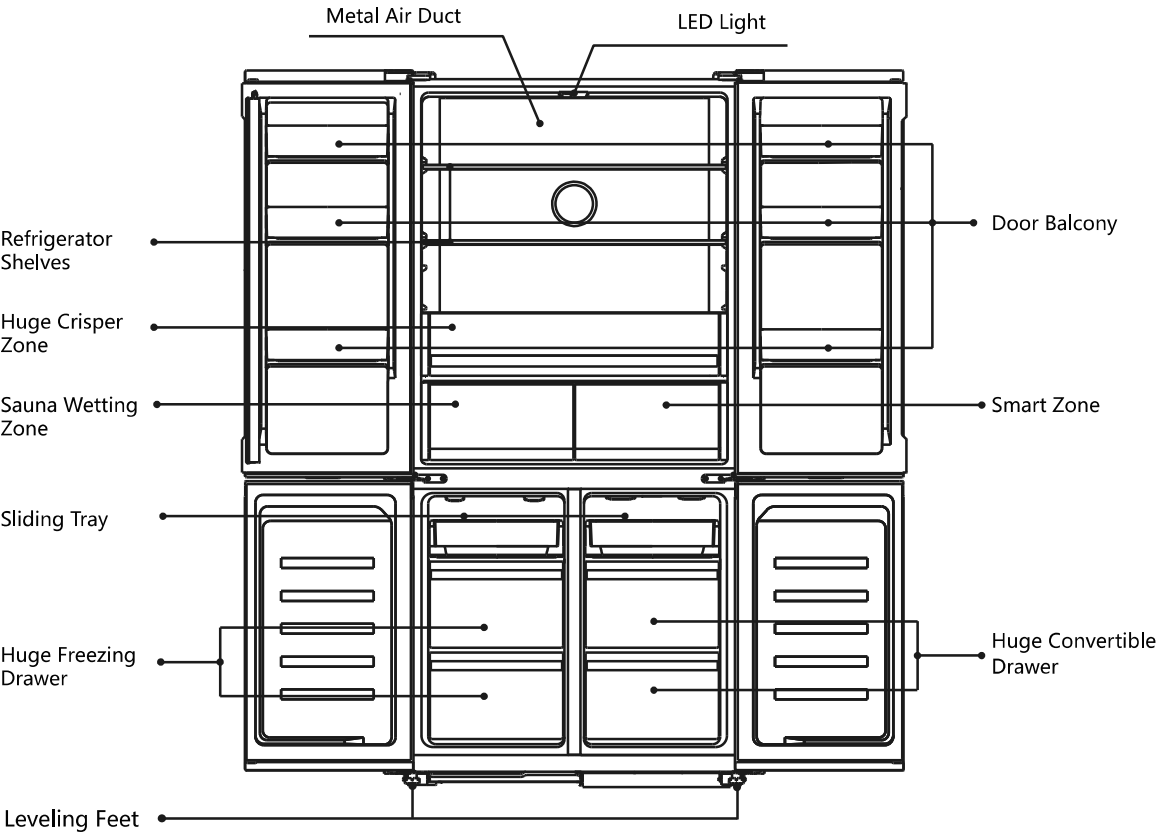
therefore decreases waste production.

**Notes:**

- Please read the instruction manual carefully before installing and using your appliance. We are not responsible for the damage occurred due to misuse.
- Follow all instructions on your appliance and instruction manual, and keep this manual in a safe place to resolve the problems that may occur in the future.
- This appliance is produced to be used in homes and it can only be used in domestic environments and for the specified purposes. It is not suitable for commercial or common use. Such use will cause the guarantee of the appliance to be cancelled and our company will not be responsible for any losses incurred.
- This appliance is produced to be used in houses and it is only suitable for cooling / storing foods. It is not suitable for commercial or common use and/or for storing substances except for food. Our company is not responsible for any losses incurred by inappropriate usage of the appliance.

# Overview

---

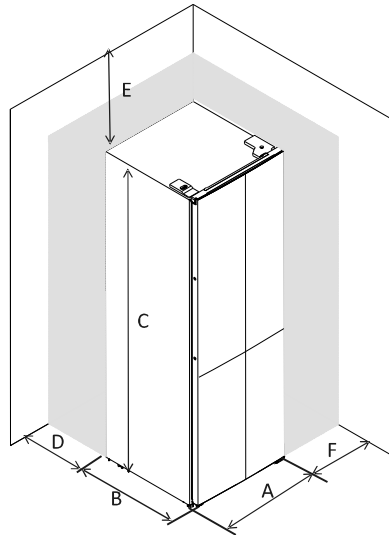


This illustration is only for hinting, the detail please check your appliance.

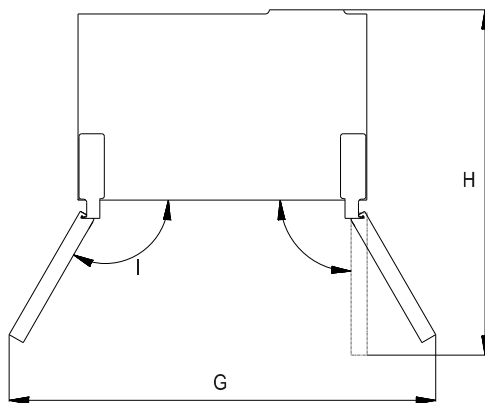
# Installation

## Space Requirement

1. Keep enough space of door open.
2. Freestanding installation and slot-in installation have different maximum door open angle.

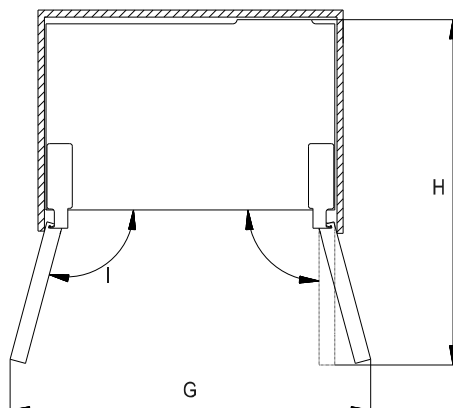


### Freestanding installation



A	905
B	597
C	1902
D	3
E	6
F	6
G	1335
H	1020
I	120°

### Slot-in installation



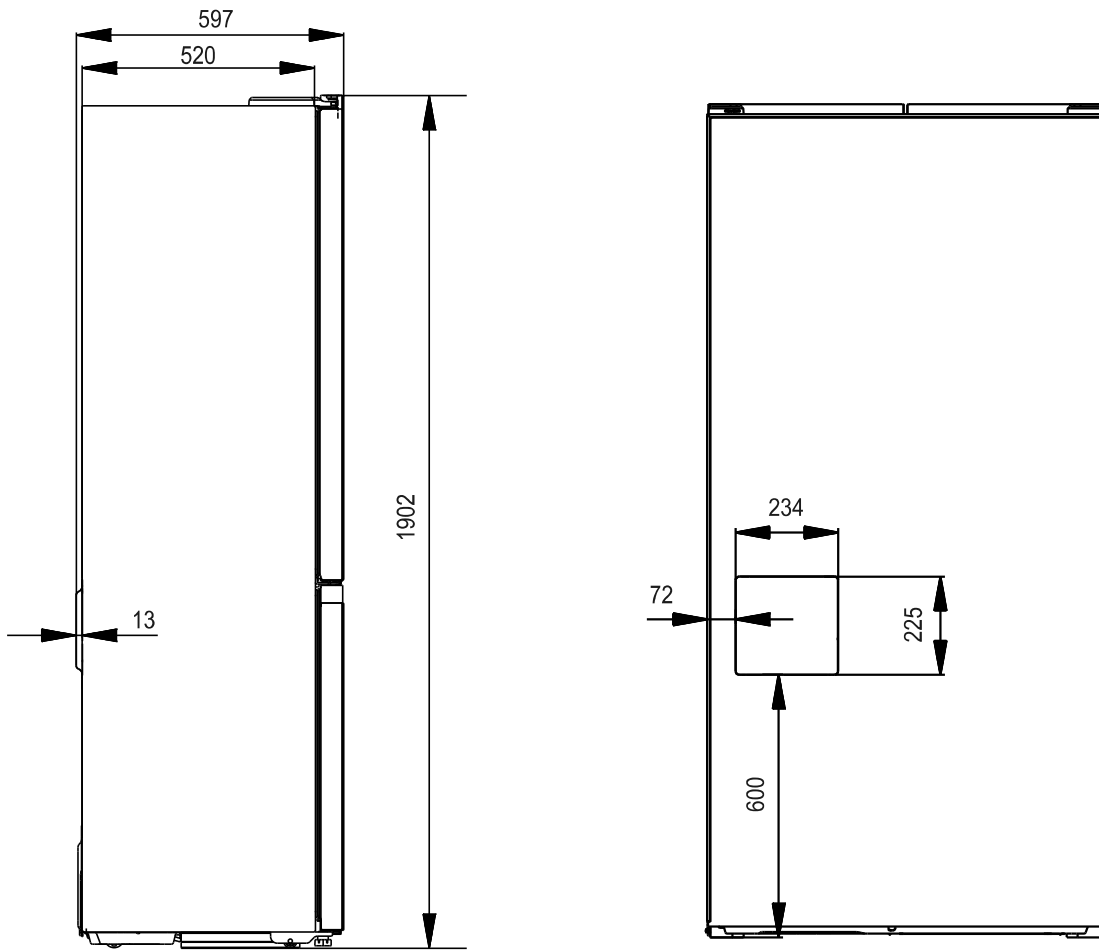
A	905
B	597
C	1902
D	3
E	6
F	6
G	1128
H	1020
I	105°

# Installation

---

## Hints about positional interference

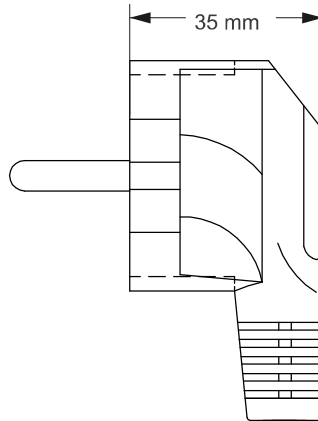
- 1.The PCB cover was designed to ensure correct distance between refrigerator backboard and wall, the closest position between refrigerator and wall is when PCB cover touch wall.
- 2.The position and dimension of PCB cover as below shows, please consider the position of electrical socket to avoid positional interference with the PCB cover.



# Installation

---

3. The dimension of plug as below shows, please consider the thickness of socket and electrical socket if the electrical socket located at the back of refrigerator.

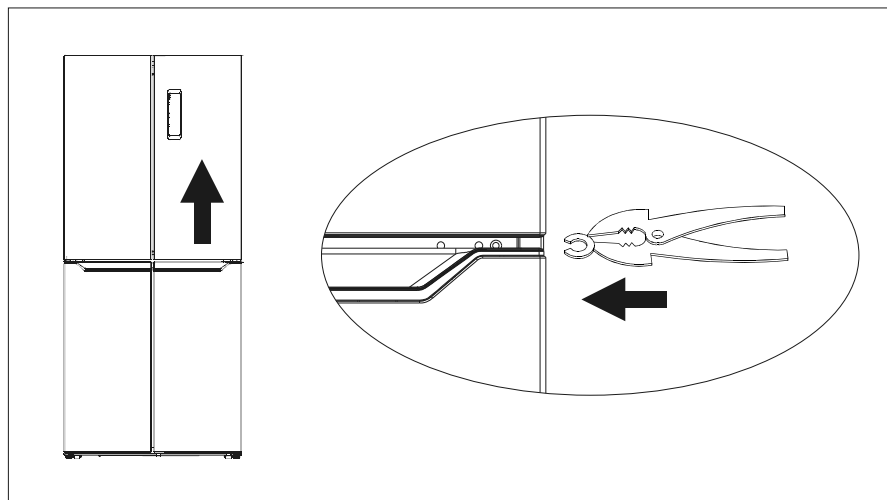


## Level doors


After transportation or door balconies are loaded by food or beverage, upper two doors may not be aligned. There are 3 C type washers which are used to adjust doors. Please follow below process to level doors.



1. Before check alignment of doors, please make sure appliance stand levelly .
2. If top of upper two doors looks not in a line, please slightly lift lower door and insert a pieces of C type washer by a clip between bottom of door and middle hinge.



 **Warning!** Please be careful to avoid fingers are clipped by door. Please use tool.

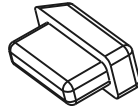
 **Warning!** Please keep C type washers far away children to avoid them are swallowed by children. They are small parts.

# Installation

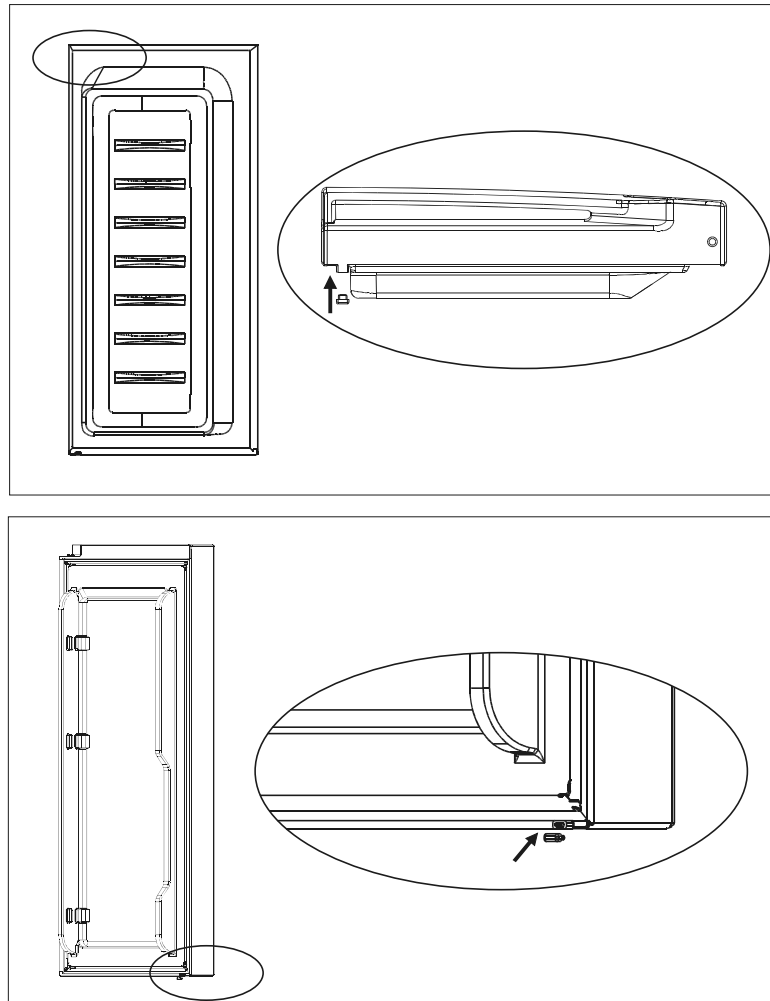
---


## Rubber blocks

There is one rubber block on each door. They function as spring to relieve impact when door closes .



Please not pull the rubber blocks. If they absent from the doors, please take one from accessory bag and insert it to the hole of door.



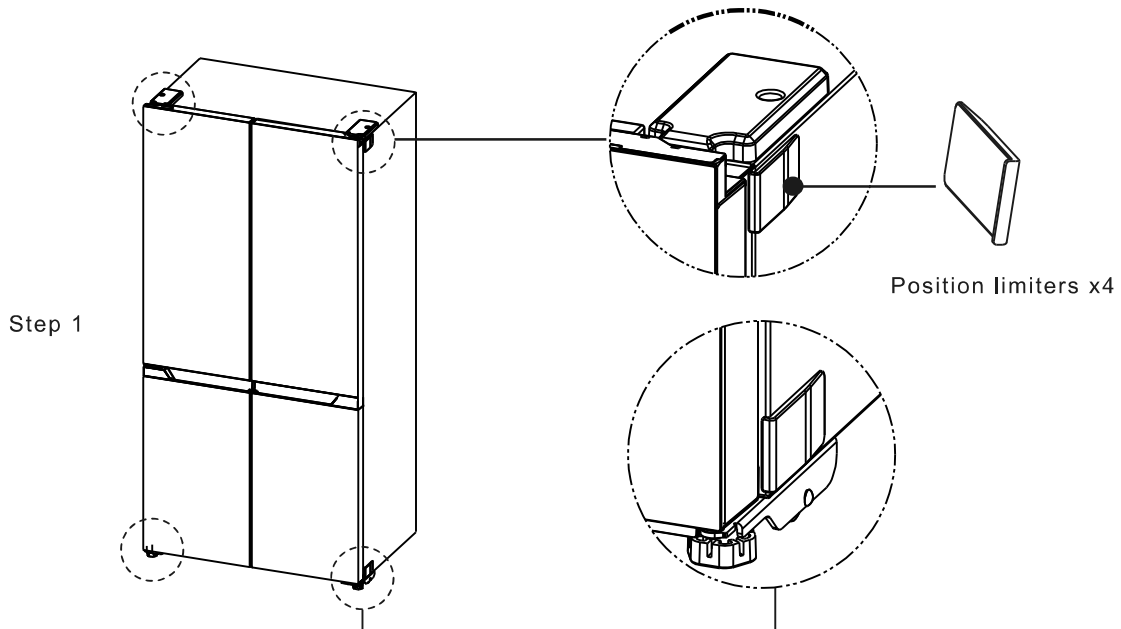
 **Warning!** Please keep rubber blocks far away children to avoid them are swallowed by children. They are small parts.

# Installation

## 1. Install limiters

During daily use, the refrigerator may have slightly move. To ensure the refrigerator keep in correct position with cupboard, you could use the position limiter before place the refrigerator into cupboard.

- 1) Take out 4 position limiters from accessory bag;
- 2) Wipe off the dust on the corners of the refrigerator;
- 3) Remove the double-sided tape on the limiter, align it with the corners of the refrigerator, and stick it.

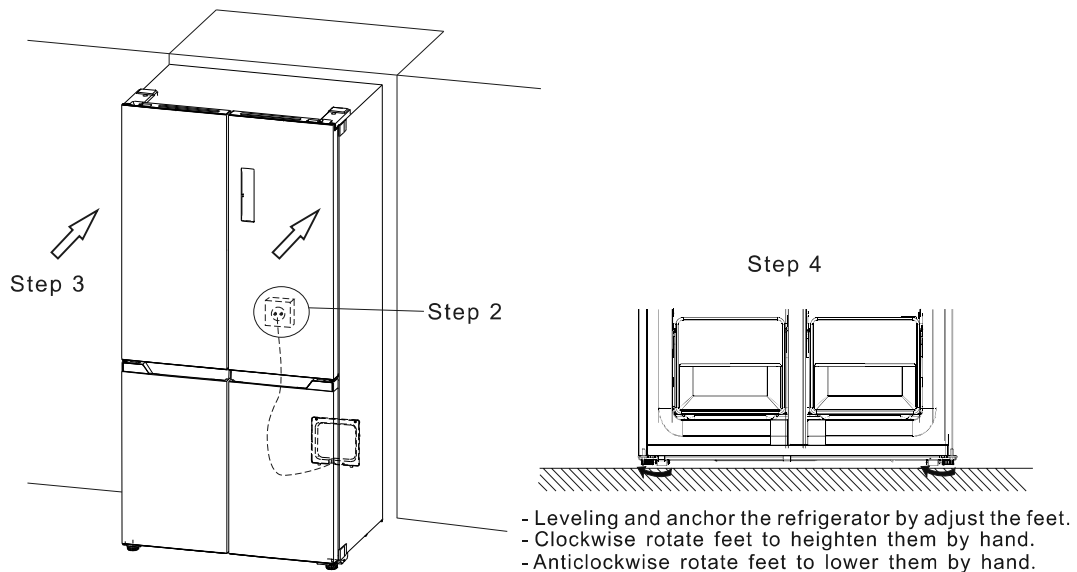


## 2. Plug the refrigerator

## 3. Push the refrigerator to the reserved position

There are 4 wheels and 2 adjustable feet under the refrigerator. to prevent potential damage with floor, please heighten the adjustable feet before pushing.

## 4. Adjust the adjustable feet lower to stable the refrigerator.



# Installation

---

## Positioning

Install this appliance at a location where the ambient temperature corresponds to the climate class indicated on the rating plate of the appliance:

for refrigerating appliances with climate class:

- extended temperate: this refrigerating appliance is intended to be used at ambient temperatures ranging from 10 °C to 32 °C; (SN)

- temperate: this refrigerating appliance is intended to be used at ambient temperatures ranging from 16 °C to 32 °C;(N)


- subtropical: this refrigerating appliance is intended to be used at ambient temperatures ranging from 16 °C to 38 °C;(ST)

- tropical: this refrigerating appliance is intended to be used at ambient temperatures ranging from 16 °C to 43 °C;(T)

## Location

The appliance should be installed well away from sources of heat such as radiators, boilers, direct sunlight etc. Ensure that air can circulate freely around the back of the cabinet. To ensure best performance, if the appliance is positioned below an overhanging wall unit, the minimum distance between the top of the cabinet and the wall unit must be at least 6 mm. Ideally, however, the appliance should not be positioned below overhanging wall units. Accurate leveling is ensured by one or more adjustable feet at the base of the cabinet.

This refrigerating appliance is not intended to be used as a built-in appliance;

 **Warning!** It must be possible to disconnect the appliance from the mains power supply; the plug must therefore be easily accessible after installation.

## Electrical connection

Before plugging in, ensure that the voltage and frequency shown on the rating plate correspond to your domestic power supply. The appliance must be earthed. The power supply cable plug is provided with a contact for this purpose. If the domestic power supply socket is not earthed, connect the appliance to a separate earth in compliance with current regulations, consulting a qualified electrician.

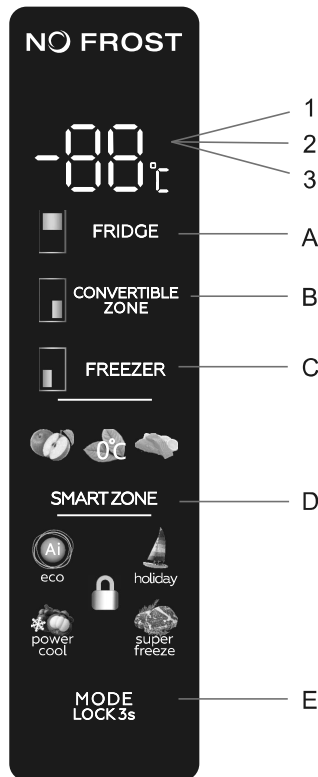
The manufacturer declines all responsibility if the above safety precautions are not observed.

This appliance complies with the E.E.C. Directives.

# Daily Use

---

## Using the Control Panel



### 1.1 KEY OPERATION

- A. Fridge Temp. Setting
- B. Convertible Zone Temp. Setting
- C. Freezer Temp. Setting
- D. Smart Zone Setting (fresh fruit, 0°C fresh, soft freeze)
- E. Locking/Unlocking /Mode Setting

### 1.2 LED DISPLAY

- 1. Temperature of Fridge Compartment
- 2. Temperature of Freezer Compartment
- 3. Temperature of Convertible Compartment

## 2.0 OPERATING CONDITION

- a. The control panel is 100% lit up for 3 seconds, which operates exactly as per the setting (mode and temperature) before the poweroff. The system will be automatically locked 25 seconds after the last key operation. After locking, the light of the panel would be out 120 seconds after the last key operation.
- b. The Fridge/Freezer/Convertible Zone temperature will be showed Separately by setting each zone temperature.

### 2.1 DISPLAY

- 2.1.1 The panel will be lit up for 2 minutes once the door of fridge compartment or freezer compartment is opened. (one door signal is sensed at a time).

## Daily Use

---

2.1.2 The panel will be lit up by any key operation whereas the light would be out 2 minutes after the last operation.

2.1.3 Display during normal operation

Temperature Display of the Fridge Compartment: Indicating the temperature of the current setting.

Temperature Display of the Freezer Compartment: Indicating the temperature of the current setting.

Temperature Display of the Convertible Compartment: Indicating the temperature of the current setting.

### 3.0 ILLUSTRATION OF THE KEY

#### 3.1 Temperature Control of the Fridge Compartment

a. Temperature Control of the Fridge Compartment:

This key is workable both in User Defined Mode as well as Super Mode. After entering the temperature control of the fridge compartment, this key flashes. By touching the key consecutively, the temperature would change in a circle of "2°C, 3°C, 4°C, 5°C, 6°C, 7°C, 8°C, - (off)", after which 5-second flashing means the selection of temperature is settled.

b. Shut off of the Fridge Compartment:

Press the key of "Temperature Control of Fridge Compartment", choose "-", a 5-second flashing means the selection of temperature is made, namely the fridge compartment would stop refrigeration.

#### 3.2 Temperature Control of the Freezer Compartment

Temperature Control of the Freezer Compartment: This key is workable both in User Defined Mode as well as Holiday Mode. After entering the temperature control of the freezer compartment, the key flashes. By touching the key consecutively, the temperature would change in a circle of "-14°C, -15°C, -16°C, -17°C, -18°C, -19°C, -20°C, -21°C, -22°C", after which a 5-second flashing means the selection of temperature is settled.

#### 3.3 Temperature Control of the Convertible Compartment

a. Temperature Control of the Convertible Compartment:

This key is workable both in User Defined Mode as well as other models. After entering the temperature control of the convertible compartment, this key flashes. By touching the key consecutively, the temperature would change in a circle of "5°C, 4°C, 3°C, 2°C, 1°C, 0°C, -1°C, -2°C, -3°C, -4°C, -5°C, -6°C, -7°C, -8°C, -9°C, -10°C, -11°C, -12°C, -13°C, -14°C, -15°C, -16°C, -17°C, -18°C, -19°C, -20°C, --(off)", after which 5-second flashing means the selection of temperature is settled.

b. Shut off of the Fridge Convertible Compartment:

Press the key of "Temperature Control of Convertible Compartment", choose "-", a 5-second flashing means the selection of temperature is made, namely the convertible compartment would stop refrigeration.

#### 3.4 Temperature Control of the Smart zone Compartment

This key is workable both in User Defined Mode as well as Super Mode. By touching the key consecutively, the logo would light in a circle of "fresh fruit, 0°C fresh, soft freeze", and the corresponding temperature is:

fresh fruit: 3°C

0°C fresh: 0°C

soft freeze: -1.5°C

#### 3.5 Mode/ Locking / Unlocking

a. By touching this key consecutively, the operation mode of the refrigerator will change in a circle of "ECO Mode-Holiday Mode-Super Mode-User Defined Mode. A 5-second flashing means the selection of temperature is settled.

# Daily Use

---

b. Long Press to Enter / Exit Locking Mode

- Unlocking: Press for 3 seconds in the mode of locking, all the keys would be unlocked after the a beep.
- Locking: Press for 3 seconds in the mode of unlocking, all the keys would be locked after the a beep.

## 3.6 Press Button

Short beep after per press button  
All buttons will only valid under unlock mode.

## 3.7 Lock Fnciton

No operation in 25 sec will lock the display automatically.

## 3.8 ECO Mode

Press mode to choose ECO Mode, ECO icon keeps bright after 5 sec flashing.

Temperature fix 6°C in fridge compartment and -16°C in freezer compartment under ECO Mode, "Freezer" & "Fridge" button in vain while ECO icon will flash three times in alarm. The temperature of convertible compartment can be adjusted freely by operating the convertible zone temp. setting.

Exit ECO Mode:

Choose mode, exit ECO Mode after 5 sec, entering the selected mode.

## 3.9 Holiday Mode

Press mode to choose Holiday Mode, the icon keeps bright after 5 sec flashing, entering holiday mode.

Temperature fix 17°C in fridge compartment, "fridge" button in vain, while Holiday icon will flash three times in alarm.

Temperature of freezer compartment and convertible compartment can be adjusted freely.

Exit Holiday Mode:

Choose mode, exit Holiday Mode after 5 sec, entering the selected mode.

## 4.0 Super Freezing mode

Choose mode, the icon keeps bright after 5 sec flashing, entering Freezing Mode. Freezing mode:

Temperature fix -25°C in freezing compartment, "freezer" button in vain, while freezing icon will flash three times in alarm.

Temperature of fridge compartment and convertible compartment can be adjusted freely.

Exit Freezing Mode: meeting below conditions.

-manually exit Freezing Mode.

-freezing period more than 50 hours

Mode remains the same before entering super freezing mode.

## 4.1 Power Cool

Cools the fridge compartment to the lowest temperature as designed. After approx.

2.5 hours, the temperature setting would be restored to the previous user setting mode.

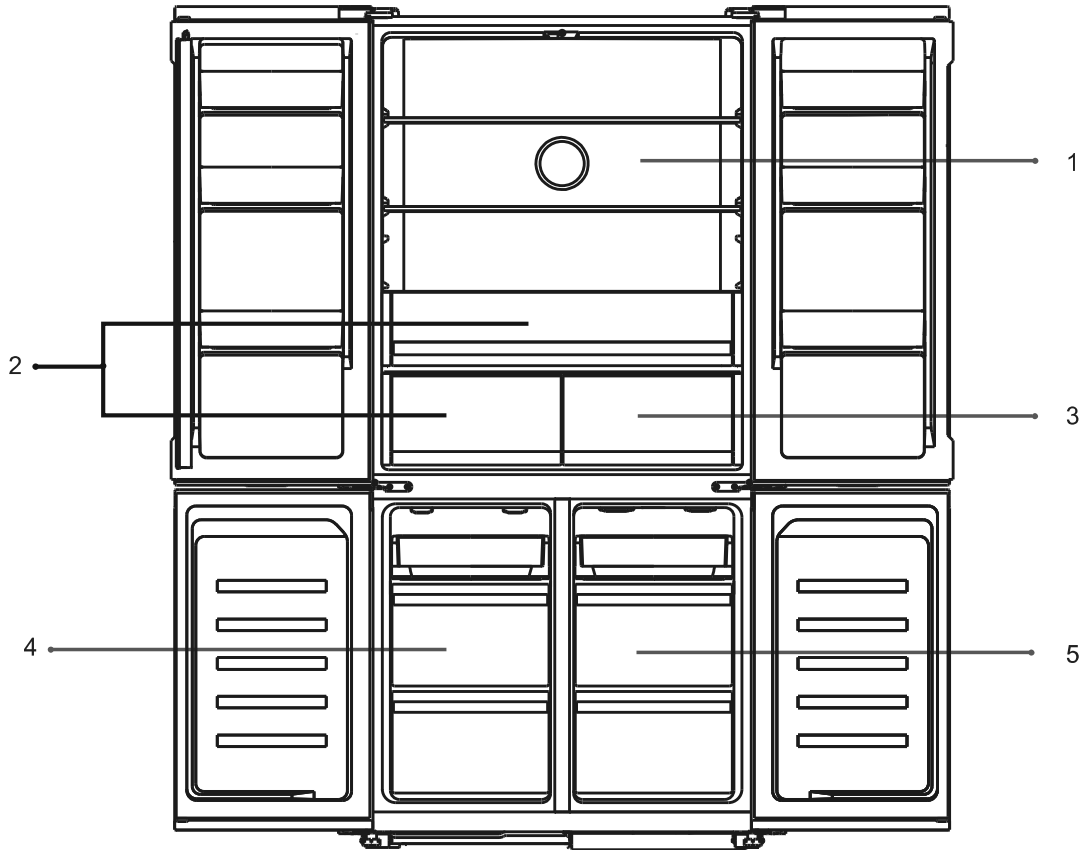
## 4.2 Door Open Alarm

If fridge or freezer door keeps open for 60 seconds, periodical alarm will be arisen and repeat this cycle until the door is closed.

# Daily Use

---

## Multi-Temperature Zone



1. Fridge temp.  $2^{\circ}\text{C} \sim 8^{\circ}\text{C}$  / Off Controlled by operating display panel

2. Fresh temp.  $2^{\circ}\text{C} \sim 8^{\circ}\text{C}$

3. Smart zone temp.  $-1.5^{\circ}\text{C} / 0^{\circ}\text{C} / 3^{\circ}\text{C}$

4. Freezer temp.  $-22^{\circ}\text{C} \sim -14^{\circ}\text{C}$  Controlled by operating display panel

5. Convertible zone temp.  $-20^{\circ}\text{C} \sim 5^{\circ}\text{C}$  / Off Controlled by operating display panel

# Daily Use

---

## First use

### Cleaning the interior

Before using the appliance for the first time, wash the interior and all internal accessories with lukewarm water and some neutral soap so as to remove the typical smell of a brand new product, then dry thoroughly.

**Important!** Do not use detergents or abrasive powders, as these will damage the finish.

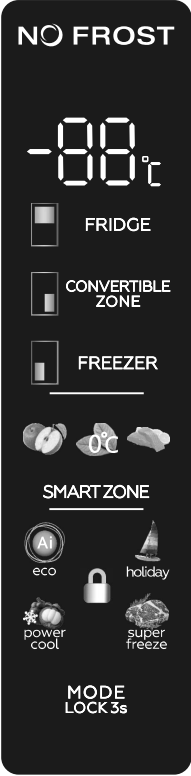
## Daily use

Position different food in different compartments according to be below table

Refrigerator compartments	Type of food
Door or balconies of fridge compartment	<ul style="list-style-type: none"> <li>Foods with natural preservatives, such as jams, juices, drinks, condiments.</li> <li>Do not store perishable foods.</li> </ul>
Crisper zone	<ul style="list-style-type: none"> <li>Fruits, herbs and vegetables should be placed separately in the crisper bin.</li> <li>Do not store bananas, onions, potatoes, garlic in the refrigerator.</li> </ul>
Fridge shelf	<ul style="list-style-type: none"> <li>Dairy food, eggs, cakes, pasta, pizza</li> <li>Foods that do not need cooking, such as ready-to-eat foods, deli meats, leftovers.</li> </ul>
Sanna wetting zone	<ul style="list-style-type: none"> <li>Locking humidity &amp; fresh. Prolong preservation time.</li> <li>Fresh fruit and vegetables, treasure food.</li> </ul>
Smart zone	<ul style="list-style-type: none"> <li>fresh fruit: 3°C, independent storage &amp; treasure food.</li> <li>0°C fresh: 0°C, drinks, beer, red wine, treasure. Soft</li> <li>freeze: -1.5°C, chilling foods for short-term storage, such as raw meat, fish, seafood, dumplings.</li> </ul>
Covertible compartment	<ul style="list-style-type: none"> <li>-20°C~5°C, wide range variable temperature.</li> <li>3°C~5°C: fresh fruit, vegetables.</li> <li>0°C~2°C: drinks, beer, red wine, treasure.</li> <li>-7°C~-1°C: chilling foods for short-term storage, such as raw meat, fish, seafood, dumplings.</li> <li>-20°C~-8°C: chilling foods for long-term storage, such as raw meat, fish, seafood, dumplings.</li> </ul>
Freezer compartment	<ul style="list-style-type: none"> <li>Foods for long-term storage.</li> <li>Seafood, fish, meat, dumplings, frozen baked goods.</li> </ul>

## Daily Use

### Temperature setting recommendation

Temperature Setting Recommendation		
Environment Temperature	Temperature Setting	
Summer ( Above 38°C )		Fridge set on 2°C
		Freezer set on -20°C
Normal		Fridge set on 4°C
		Freezer set on -18°C
Winter ( Below 16°C )		Fridge set on 5°C
		Freezer set on -18°C

- Information above give users recommendation of temperature setting.
- Temperature of convertible zone setting depends on food leading.

### Impact on Food Storage

- Under Recommended setting, the best storage time of fridge is no more than 3 days.
- Under Recommended setting, the best storage time of freezer is no more than 1 month.
- The best storage time may reduce under other setting.

# Daily Use

---

## Freezing fresh food

- The freezer compartment is suitable for freezing fresh food and storing frozen and deep-frozen food for a long time.
- Place the fresh food to be frozen in the freezer compartment.
- The maximum amount of food that can be frozen in 24 hours is specified on the rating plate.
- The freezing process lasts 24 hours: during this period do not add other food to be frozen.

## Storing frozen food

When first starting-up or after a period out of use, before putting the product in the compartment let the appliance run at least 2 hours on the higher settings.

Important! In the event of accidental defrosting, for example the power has been off for longer than the value shown in the technical characteristics chart under "rising time", the defrosted food must be consumed quickly or cooked immediately and then re-frozen (after cooked).

## Thawing

Deep-frozen or frozen food, prior to be used, can be thawed in the fridge compartment or at room temperature, depending on the time available for this operation.

Small pieces may even be cooked still frozen, directly from the freezer. In this case, cooking will take longer.

## Ice-cube

This appliance may be equipped with one or more ice-cube to produce ice.

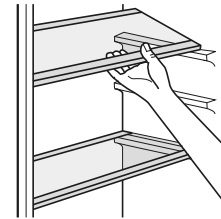
# Daily Use

---

## Accessories

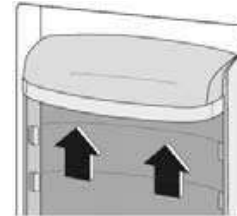
### Movable shelves

The walls of the refrigerator are equipped with a series of runners so that the shelves can be positioned as desired.



### Positioning the door balconies

To permit storage of food packages of various sizes, the door balconies can be placed at different heights. To make these adjustments proceed as follows: gradually pull the balcony in the direction of the arrows until it comes free, then reposition as required.



## Helpful hints and tips

To help you make the most of the freezing process, here are some important hints:

- the maximum quantity of food which can be frozen in 24 hrs. is shown on the rating plate;
- the freezing process takes 24 hours. No further food to be frozen should be added during this period;
- only freeze top quality, fresh and thoroughly cleaned, foodstuffs;
- prepare food in small portions to enable it to be rapidly and completely frozen and to make it possible subsequently to thaw only the quantity required;
- wrap up the food in aluminium foil or polythene and make sure that the packages are airtight;
- do not allow fresh, unfrozen food to touch food which is already frozen, thus avoiding a rise in temperature of the latter;
- lean foods store better and longer than fatty ones; salt reduces the storage life of food;
- water ices, if consumed immediately after removal from the freezer compartment, can possibly cause the skin to be freeze burnt;
- it is advisable to show the freezing in date on each individual pack to enable you removal from the freezer compartment, can possibly cause the skin to be freeze burnt;
- it is advisable to show the freezing in date on each individual pack to enable you to keep tab of the storage time.

## Hints for storage of frozen food

To obtain the best performance from this appliance, you should:

- make sure that the commercially frozen foodstuffs were adequately stored by the retailer;
- be sure that frozen foodstuffs are transferred from the food store to the freezer in the shortest possible time;
- not open the door frequently or leave it open longer than absolutely necessary.
- once defrosted, food deteriorates rapidly and cannot be re-frozen;
- do not exceed the storage period indicated by the food manufacture.

## Hints for fresh food refrigeration

To obtain the best performance:

- Do not store warm food or evaporating liquids in the refrigerator
- Do cover or wrap the food, particularly if it has a strong flavour
- Make (all types): wrap in polythene bags and place on the glass shelves above the vegetable drawer.
- For safety, store in this way only one or two days at the most.
- Cooked foods, cold dishes, etc...: these should be covered and may be placed on any shelf.
- Fruit and vegetables: these should be thoroughly cleaned and placed in the special drawer(s) provided.
- butter and cheese: these should be placed in special airtight containers or wrapped in aluminum foil or polythene bags to exclude as much air as possible.
- Milk bottle: these should have a cap and should be stored in the balconies on the door.
- Bananas, potatoes, onions and garlic, if not packed, must not be kept in the fridge.

# Daily Use

---

## Cleaning

For hygienic reasons the appliance interior, including interior accessories, should be cleaned regularly.



**Caution!** The appliance may not be connected to the mains during cleaning. Danger of electrical shock! Before cleaning switch the appliance off and remove the plug from the mains, or switch off or turn out the circuit breaker or fuse. Never clean the appliance with a steam cleaner. Moisture could accumulate in electrical components, danger of electrical shock! Hot vapors can lead to the damage of plastic parts. The appliance must be dry before it is placed back into service.

**Important!** Ethereal oils and organic solvents can attack plastic parts, e.g. lemon juice or the juice from orange peel, butyric acid, cleanser that contain acetic acid.

- Do not allow such substances to come into contact the appliance parts.
- Do not use any abrasive cleaners
- Remove the food from the freezer. Store them in a cool place, well covered.
- Switch the appliance off and remove the plug from the mains, or switch off or turn out the circuit breaker of fuse.
- Clean the appliance and the interior accessories with a cloth and lukewarm water. After cleaning wipe with fresh water and rub dry.
- After everything is dry place appliance back into service.


## Defrost Description (No Frost)

It is a total no frost refrigerator-freezer which will be defrosted automatically.

## Daily Use

---

### Troubleshooting

 **Caution!** Before troubleshooting, disconnect the power supply. Only a qualified electrician of competent person must do the troubleshooting that is not in this manual.

**Important!** There are some sounds during normal use (compressor, refrigerant circulation).

Problem	Possible cause	Solution
Appliance dose not work	Mains plug is not plugged in or is loose	Insert mains plug.
	Fuse has blown or is defective	Check fuse, replace if necessary.
	Socket is defective	Mains malfunctions are to be corrected by an electrician.
Appliance freezes or cools too much	Temperature is set too cold or the appliance runs at <b>SUPER</b> modes.	Turn the temperature regulator to a warmer setting temporarily.
The food is not frozen enough.	Temperature is not properly adjusted.	Please look in the initial Temperature Setting section.
	Door was open for an extended period.	Open the door only as long as necessary.
	A large quantity of warm food was placed in the appliance within the last 24 hours.	Turn the temperature regulation to a colder setting temporarily.
	The appliance is near a heat source.	Please look in the installation location section.
Heavy build up of frost on the door seal.	Door seal is not air tight.	Carefully warm the leaking sections of the door seal with a hair dryer (on a cool setting). At the same time shape the warmed door seal by hand such that it sits correctly.
Unusual noises	Appliance is not level.	Re-adjust the feet.
	The appliance is touching the wall or other objects.	Move the appliance slightly.
	A component, e.g. a pipe, on the rear of the appliance is touching another part of the appliance or the wall.	If necessary, carefully bend the component out of the way.
Water on the floor	Water drain hole is blocked.	See the Cleaning and Care section.

If the malfunction shows again, contact the Service Center. These data are necessary to help you quickly and correctly. Write the necessary data here, refer to the rating plate.

# TECHNICAL SPECIFICATION

<b>Model No.</b>	<b>TMD19091SIBI</b>
<b>Power source</b>	<b>220-240V, 50Hz</b>
<b>Power consumption</b>	<b>312 KWh/year</b>
<b>Refrigerant</b>	<b>R600a</b>
<b>Storage Capacity</b>	<b>505L</b>
<b>Fridge Capacity</b>	<b>349L</b>
<b>Freezer Capacity</b>	<b>156L</b>
<b>Fresh Food Freezing Capacity</b>	<b>8kg/24h</b>
<b>Energy Efficiency rating</b>	<b>E class</b>
<b>Climate class</b>	<b>SN,N,ST(10°C-38°C)</b>







**Your Teknix appliance comes with a 2 year parts and labour guarantee – to give you the reassurance you need when purchasing a new appliance.**

Before requesting a service visit, please check the troubleshooting guide in the operating instruction booklet.

**For service and repairs please contact the Teknix technical helpline on: Freephone **0800 772 0614****

**Telephone lines are open 09.00 – 17.30 Monday to Friday**

**Please have your model number and serial number available before making the call.**

What is covered

- All repairs necessary as a result of faulty materials, defective components or manufacturing defect.
- The cost of all functional replacement parts.
- The labour cost of a Teknix approved repairer to carry out the repair.

What is not covered

- Transit or delivery damage.
- Accidental damage.
- Misuse, or abuse.
- Cabinet or appearance parts, including knobs.
- Accessory items, including ice trays, scrapers and cutlery baskets.
- Repairs required as a result of unauthorised repairs or incorrect installation that fails to meet the requirements contained in the operating instruction booklet.

Note

- The product is guaranteed for domestic household use only.
- Gas appliances must be installed by a Gas Safe registered Gas Installer.