

#### More freedom in the kitchen

The 6000 Bridge Extractor Hob combines an induction hob to fit a 60cm cabinet, with a powerful built-in extractor for optimal air flow. It also has a Bridge function, allowing you to combine two cooking zones into one for larger cookware.

#### Product Benefits & Features

##### The Bridge Extractor Hob. For greater kitchen freedom

The Bridge Extractor Hob combines an induction hob to fit a 60cm cabinet with a powerful built-in extractor for optimal airflow. The hob's Bridge function also allows you to combine two cooking zones into one for larger cookware.



##### The Bridge feature – cooking versatility with two zones

The convenient Bridge feature links two zones to create a larger cooking area. Both zones are automatically power aligned for seamless cooking performance.

##### 4 Individual Zone Controls. Unlimited cooking options

4 Individual Zone Controls, with 9 power levels, allow you to individually control 4 different cooking areas and set separate timers for each. Other functions include power boost, active touch, child lock and automatic extractor control.



##### Long-Life Carbon Filter. Clean and re-use multiple times

The Long-Life Carbon Filter is easy to clean, so your kitchen air stays fresh, and your fan runs at its best for longer. Filters can be loaded in the dishwasher for cleaning, easily refitted and regenerated up to 8 times for extended life.



##### Automatic Extractor Control. Adjusts as you cook

Automatic Extractor Control allows you to focus on what matters – cooking. The hob will automatically switch on and adjust the extraction level according to your cooking activities, keeping your kitchen fresh and hands free.



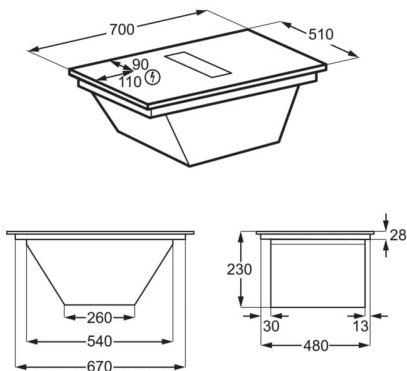
- Child safety lock function
- Automatic safety switch off
- Indicator for grease filter saturation
- Indicator for carbon filter saturation

#### Product Specification

Frame Type	Frameless Square
Dimensions (mm) (WxD)	700x510
Built-in Dimensions (mm) (HxWxD)	225x680x490
Air Outlet (mm)	220
Grease Filter Type	Aluminium mesh
Number of Grease Filters	2
Aperture Cut Out (mm)	5/10 integrated
Energy Rating	A+
Fluid Dynamic Efficiency Rating	A
Grease Filter Efficiency Rating	B
Motor Type	Brushless
Cord Length (m)	1.5
Bar Code	7333394017907
ProdPartCode	ER
Plug or Hardwired	Hardwired connection only
Left Front - Power/Diameter	2300/3200W/210mm
Left Rear - Power/Diameter	2300/3200W/210mm
Right Front - Power/Diameter	1400/2500W/145mm
Right Rear - Power/Diameter	1800/2800W/180mm
Number of Cooking Zones	4
Series	6000
Hob Type	Induction Extractor Hob
Ducted Extraction Rate - Min/Max/Intensive (m³/h)	650x550x270

Recirculated Extraction Rate - Min/Max/Intensive (m³/h)	250/480/585
Ducted Noise Level - Min/Max/Intensive (dB)	50/66/69

PSGBHH230DE0000A



PSGBHO230DE0000N

