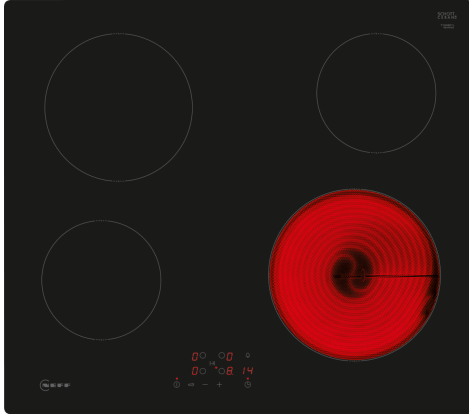


N 50, ELECTRIC HOB, 60 CM, BLACK,
T16NBE1L



Standalone electric hob with TouchControl

✓ Touch Control – Control your hob with just one touch and a timer.

Product name/family: Cooking zone ceramic
 Built-in / Free-standing: Built-in
 Energy input: Electric
 Number of cooking zones: 4
 Min. required niche size for installation (HxWxD): .. 45 x 560-560 x 490-500 mm
 Width of the appliance: 592 mm
 Dimensions: 45x592x522 mm
 Dimensions of the packed product (HxWxD): . 100 x 750 x 590 mm
 Net weight: 7.3 kg
 Gross weight: 8.0 kg
 Residual heat indicator: Separate
 Location of control panel: Front
 Basic surface material: Ceramic
 Color of surface: Black
 EAN code: 4242004271833
 Voltage: 220-240 V
 Frequency: 50; 60 Hz



Z9428FE0 Iron pan Ø 18 / 28 cm
 Z943SE0 Set of 2 pots and 1 pan
 Z1365WX0 Wireless food thermometer
 Z9367X0 Intermediate bottom

*N 50, ELECTRIC HOB, 60 CM, BLACK,
T16NBE1L*

- 60 cm: space for 4 pots or pans.

Flexibility of cooking zones

- Cooking zone front left: 145 mm, 1.2 KW
- Cooking zone rear left: 180 mm, 2 KW
- Cooking zone rear right: 145 mm, 1.2 KW
- Cooking zone front right: 210 mm, 2.2 KW

Usage convenience

- Touch Control Basic: control the power with imprinted +/- touch buttons.
- Variable 17-stage power settings for each zone: precisely adapt the heat with 17 power levels (9 main levels and 8 intermediate levels).
- Switch-off timer: switches off the cooking zone at the end of the time set (e.g. for boiled eggs).
- Count-down Timer: an alarm sounds at the end of the time set (e.g. for pasta).

Time saving & efficiency

- ReStart function: in case of unintentional switch-off, this feature restores all previous settings by switching on the hob again within 4 seconds.
- Quick-Off: quickly switch off a cooking zone with one longer touch.

Design

- Frameless

Safety

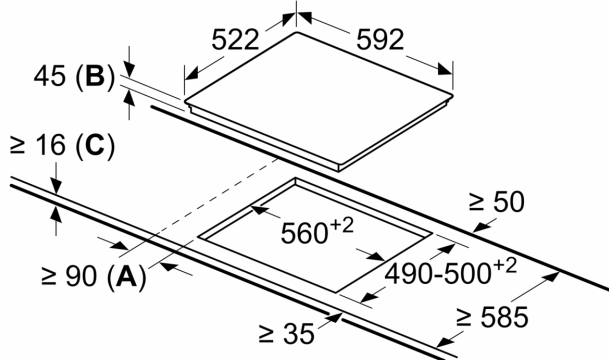
- 2 stage residual heat indicators: indicates which cooking zones are still hot or warm.
- Control panel lock: prevent unintended activation of the hob.
- Main switch: switch off all cooking zones at the touch of a button.
- Power on indicator light: indicates if the hob is heating.
- Safety cut out facility: for safety reasons, heating stops after a preset time if not used.

Installation

- Dimensions of the product (HxWxD mm): 45 x 592 x 522
- Required niche size for installation (HxWxD mm) : 45 x 560 x (490 - 500)
- Min. worktop thickness: 16 mm
- Connected load: 6.6 KW

N 50, ELECTRIC HOB, 60 CM, BLACK,
T16NBE1L

measurements in mm



- A:** Minimum distance from the hob cut-out to the wall.
- B:** Recessed depth
- C:** With fitted oven underneath min. 20, possibly more; see space requirements for the oven.