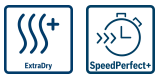


**Series 2, Fully-integrated  
dishwasher, 45 cm  
SPV2HKX42G**



**Optional accessories**

SGZ1010	inlet and outlet hose extension
SMZ5300	GlassSecure Tray
SGZ0BI02	decorative strips stainless steel 81,5cm
SGZ0CL01	door lock mechanical, straight

**Connected dishwasher with noise  
reduction at any time via the Home  
Connect App.**

- **Extra Dry:** extra drying option for difficult-to-dry loads.
- **SpeedPerfect+:** Reduced washing time, perfectly cleaned dishes.
- **Silence on demand:** up to 30 min noise reduction at any time via the Bosch Home Connect App.
- **Height Adjustable Top Basket:** offers extra space, especially for tall dishes.
- **Home Connect:** an easy solution to help you get the most out of your appliance, with flexible control and additional features.

**Technical Data**

Energy Efficiency Class <sup>1</sup> :	..... E
Energy Consumption for 100 cycles Eco Programme <sup>2</sup> :	.... 76 kWh/100 cycles
Maximum number of place settings:	..... 10
The water consumption of the eco programme in liters per cycle:	8.9 l
Programme duration <sup>3</sup> :	..... 3:40 h
Airborne acoustical noise emissions :	.....46 dB(A) re 1pW
Airborne acoustical noise emission class:	.....C
Built-in / Free-standing:	..... Built-in
Height of removable worktop:	..... 0 mm
Required niche size for installation (HxWxD):	....815-875 x 450 x 550 mm
Depth with open door 90 degree:	..... 1150 mm
Adjustable feet:	..... Yes - all from front
Maximum adjustability feet:	..... 60 mm
Adjustable plinth:	..... Both horizontal and vertical
Net weight:	.....27.1 kg
Gross weight:	..... 28.9 kg
Connection rating:	..... 2400 W
Fuse protection:	.....10 A
Voltage:	..... 220-240 V
Frequency:	..... 50; 60 Hz
Length electrical supply cord:	..... 175 cm
Plug type:	..... GB plug
Length inlet hose:	..... 165 cm
Length outlet hose:	..... 205 cm
EAN code:	.....4242005467310
Installation typology:	..... Integrated



<sup>1</sup> Scale of Energy Efficiency Classes from A to G  
<sup>2</sup> Energy consumption in kWh per 100 cycles (in programme Eco 50 °C)  
<sup>3</sup> Duration of programme Eco 50 °C

## Series 2, Fully-integrated dishwasher, 45 cm SPV2HKX42G

### Connected dishwasher with noise reduction at any time via the Home Connect App.

- Dimensions (HxWxD): 81.5 x 44.8 x 55cm

<sup>1</sup> Scale of Energy Efficiency Classes from A to G

<sup>2</sup> Energy consumption in kWh per 100 cycles (in programme Eco 50 °C)

<sup>3</sup> Water consumption in litres per cycle (in programme Eco 50 °C)

<sup>4</sup> Duration of programme Eco 50 °C

#### Performance

- Energy Efficiency Class<sup>1</sup>: E
- Energy<sup>2</sup> / Water<sup>3</sup>: 76 kWh / 8.9 litres
- Capacity: 10 place settings
- Programme duration<sup>4</sup>: 3:40 (h:min)
- Noise level: 46 dB(A) re 1 pW

#### Programmes / functions

- Noise Efficiency Class: C
- 5 programmes: Eco 50 °C, Auto 45-65 °C, Intensive 70 °C, Express 65°, Favourite
- Default favourite programme: Pre-Rinse
- 3 special options: Remote Start, Extra Dry, SpoD VarioSpeedPlus
- Add-On functions via Home Connect app: Hygiene+, Silence on Demand
- Machine Care Programme

#### Flexible design elements

- Vario baskets
- Height adjustable top basket when empty
- Low friction wheels on bottom basket
- Rack Stopper to prevent derailing of bottom basket
- 2 foldable plate racks in bottom basket
- Knife rack in top basket
- Variable cutlery basket in bottom basket
- Upper rack cup shelf

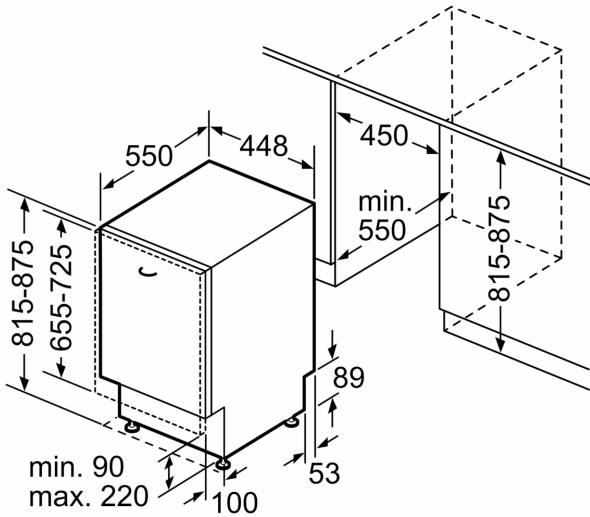
#### Innovations and technology

- Home Connect ready on WLAN
- Heat exchanger - Hygienic and efficient drying
- DosageAssist detergent dispenser
- EcoSilence BLDC drive
- Automatic detergent detection
- AquaSensor III
- AquaMix - Glass protection system

#### Design features

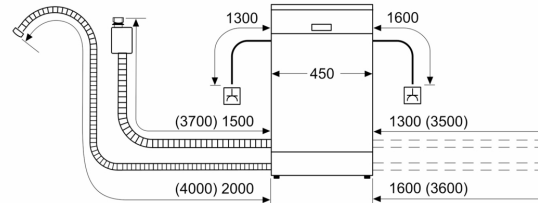
- Push button top edge controls
- InfoLight (Red) - Light projection on the floor
- DuoPower spray arm in upper basket
- Time delay (3, 6 or 9 hours)
- Acoustic end of cycle indicator
- Self-cleaning filter system with 3 piece corrugated filter
- incl. Steam protection for worktop
- AquaStop: Bosch's warranty in case of water damage - for the lifetime of the appliance. Please find warranty terms under <https://www.bosch-home.co.uk/customer-service/care-protection-and-parts/additional-warranties>
- Stainless steel interior

**Series 2, Fully-integrated  
dishwasher, 45 cm  
SPV2HKX42G**



measurements in mm

measurements in mm



socket  
( ) values with extension kit