

## Series 6, Fully-integrated dishwasher, 60 cm SMD6ZCX60G



## PerfectDry dishwashers for best drying results with Extra Clean Zone for spotless clean dishes.

- **PerfectDry:** perfect drying results with low energy consumption, even for hard-to-dry items.
- **SpeedPerfect+:** Reduced washing time, perfectly cleaned dishes.
- **Extra Clean Zone:** extra cleaning for items in your top basket.
- **Silence 50° program:** Reduce the noise to a minimum and enjoy peaceful and quiet dishwashing without compromising on cleanliness.
- **Rackmatic:** even more adjustment options and maximum flexibility.

### Technical Data

Energy Efficiency Class <sup>1</sup> :	.....C
Energy Consumption for 100 cycles Eco Programme <sup>2</sup> :	.... 74 kWh/100 cycles
Maximum number of place settings:	..... 13
The water consumption of the eco programme in liters per cycle:	7.7 l
Programme duration <sup>3</sup> :	..... 3:45 h
Airborne acoustical noise emissions :	.....44 dB(A) re 1pW
Airborne acoustical noise emission class:	.....B
Built-in / Free-standing:	..... Built-in
Height of removable worktop:	..... 0 mm
Required niche size for installation (HxWxD):	....815-875 x 600 x 550 mm
Depth with open door 90 degree:	..... 1150 mm
Adjustable feet:	..... Yes - all from front
Maximum adjustability feet:	..... 60 mm
Adjustable plinth:	..... Both horizontal and vertical
Net weight:	.....41.8 kg
Gross weight:	..... 44.0 kg
Connection rating:	..... 2400 W
Fuse protection:	.....10 A
Voltage:	..... 220-240 V
Frequency:	..... 50; 60 Hz
Length electrical supply cord:	..... 175 cm
Plug type:	..... GB plug
Length inlet hose:	..... 165 cm
Length outlet hose:	..... 190 cm
EAN code:	.....4242005270309
Installation typology:	..... Integrated

### Optional accessories

SGZ0BI01	decorative strips stainless steel 81,5cm
SGZ0IC00	Small Item Clip for upper rack
SGZ1010	inlet and outlet hose extention
SGZ8BI00	Connection rail for divided furniture
SMZ5035	Decor conversion kit, stainless steel
SMZ5100	Vario-cutlery basket
SMZ5300	GlassSecure Tray



<sup>1</sup> Scale of Energy Efficiency Classes from A to G  
<sup>2</sup> Energy consumption in kWh per 100 cycles (in programme Eco 50 °C)  
<sup>3</sup> Duration of programme Eco 50 °C

## Series 6, Fully-integrated dishwasher, 60 cm SMD6ZCX60G

### PerfectDry dishwashers for best drying results with Extra Clean Zone for spotless clean dishes.

#### Performance

- Energy Efficiency Class<sup>1</sup>: C
- Energy<sup>2</sup> / Water<sup>3</sup>: 74 kWh / 7.7 litres
- Capacity: 13 place settings
- Programme duration<sup>4</sup>: 3:45 (h:min)
- Noise level: 44 dB(A) re 1 pW
- Noise Efficiency Class: B
- Noise level (silence programme): 42 dB(A) re 1 pW

#### Programmes / functions

- 8 programmes: Eco 50 °C, Auto 45-65 °C, Intensive 70 °C, Express 60 °C, Express 45 °C, Glass 40 °C, Silence 50 °C, Favourite
- Default favourite programme: Pre-Rinse
- 4 special options: Remote Start, Extra Dry, Intensive Zone, SpeedPerfect+
- Silence on Demand (via app)
- Machine Care

#### Flexible design elements

- Max Flex baskets Basket system with red coloured touchpoints
- VarioDrawer - loading of cutlery on 3rd level
- 3 stage Rackmatic height-adjustable top basket
- Smooth running wheels on upper basket
- Low friction wheels on bottom basket
- Anti-slip protection strips in upper basket
- Rack Stopper to prevent derailing of bottom basket
- 2 foldable plate racks in top basket
- 6 foldable plate racks in bottom basket
- Upper rack cup shelf
- Lower rack cup shelf

#### Innovations and technology

- Home Connect ready on WLAN
- Zeolith - Energy efficient and perfect drying results
- Extra Clean Zone
- Heat exchanger.
- DosageAssist detergent dispenser
- EcoSilence BLDC drive
- Automatic detergent detection
- AquaMix - Glass protection system
- AquaSensor III
- Water management system

#### Design features

- Touch Control (metallic)
- Push button top edge controls
- TimeLight - Light projection on the floor
- DoorOpen Assist - perfectly designed for kitchens without handles
- Time delay (3, 6 or 24 hours)

- Acoustic end of cycle indicator, Time remaining indicator (min), water inlet indicator
- ChildLock - double push to open
- AquaStop: Bosch's warranty in case of water damage - for the lifetime of the appliance. Please find warranty terms under <https://www.bosch-home.co.uk/customer-service/care-protection-and-parts/additional-warranties>
- Self-cleaning filter system with 3 piece corrugated filter
- Large item spray head, incl. Steam protection for worktop
- Stainless steel interior
- Dimensions (HxWxD): 81.5 x 59.8 x 55cm

<sup>1</sup> Scale of Energy Efficiency Classes from A to G

<sup>2</sup> Energy consumption in kWh per 100 cycles (in programme Eco 50 °C)

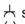
<sup>3</sup> Water consumption in litres per cycle (in programme Eco 50 °C)

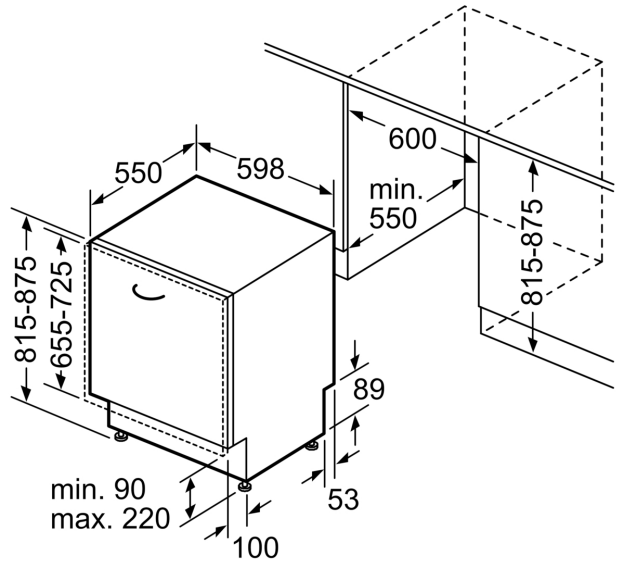
<sup>4</sup> Duration of programme Eco 50 °C

## Series 6, Fully-integrated dishwasher, 60 cm SMD6ZCX60G

measurements in mm



 socket  
 ( ) values with extension kit



measurements in mm