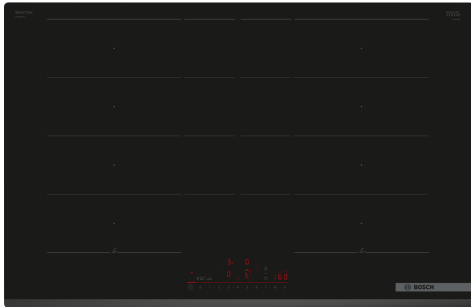


**Series 6, Induction hob, 80 cm,
Black,
PXY83KHC1E**



- **DirectSelect:** the direct and simple way to select your desired cooking zone, power and additional functions.
- **Extended FlexZone:** maximum space on your hob for large cookware.
- **PerfectFry Plus:** no more worrying about scorching.
- **Easy Flex Zones:** adjusts cooking zones to your needs.
- **Smart Hood Automatic:** a matching hood that automatically adjusts to your hob settings while cooking.

Technical Data

Appliance type:Cooking zone ceramic
 Installation type:Built-in
 Heating type:Electric hob
 Number of cooking zones:4
 Min. required niche size for installation (HxWxD):51 x 750-750 x 490-500 mm
 Width of the appliance:802 mm
 Dimensions:51 x 802 x 522 mm
 Dimensions of the packed product (HxWxD):130 x 950 x 600 mm
 Net weight:14.2 kg
 Gross weight:17.9 kg
 Residual heat indicator:Separate
 Location of control panel:Front
 Basic surface material:Glass ceramic
 Color of surface:Black
 Length of electrical supply cord:110.0 cm
 EAN code:4242005394548
 Voltage:220-240 V
 Frequency:50; 60 Hz

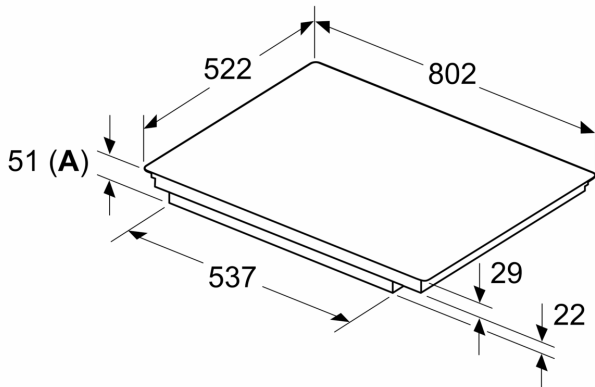
Optional accessories

HEZ390011 Stainless Steel roaster with glas lid, HEZ390012 Steaming Rack for Stainless Steel roaste, HEZ390090 Wok Set consisting of 3 Items, HEZ390210 System pan diameter 15 cm, HEZ390220 System pan diameter 19 cm, HEZ390230 System pan diameter 21cm, HEZ390250 System pan diameter 28 cm, HEZ390512 Teppan Yaki (large), HEZ390522 Griddle Plate, HEZ9ES100 Espresso maker 4 cups, HEZ9FE280 Iron pan Ø 18 / 28 cm, HEZ9FF010 Flex Pan, large, HEZ9FF030 Flex Pan set, 3 pcs., HEZ9FF040 Flex Pan set, 4 pcs., HEZ9SE030 Set of 2 pots and 1 pan, HEZ9SE040 4 pieces Set, HEZ9SE060 6 pieces Set, HEZ9TY010 Teppan Yaki

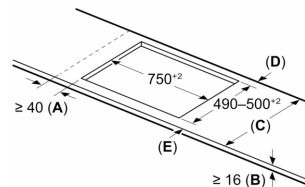


**Series 6, Induction hob, 80 cm,
Black,
PXY83KHC1E**

Measurements in mm



Measurements in mm



A: Min. distance from the hob cut-out to the wall

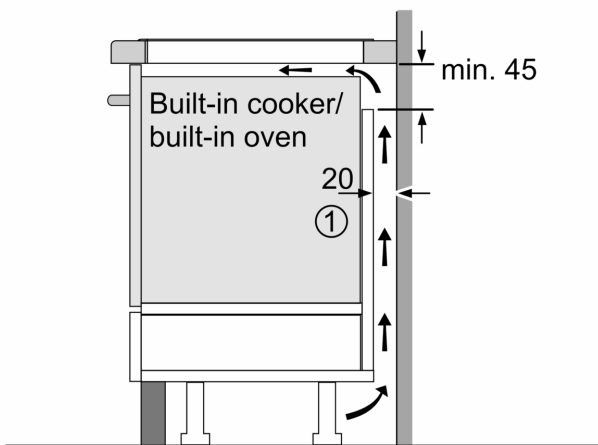
B: The clearance between the surface of the worktop and the top of the front of the oven must be 30 mm

See space requirements for the oven

The worktop into which the hob is installed must withstand loads of approx. 60 kg; suitable substructures must be used if required

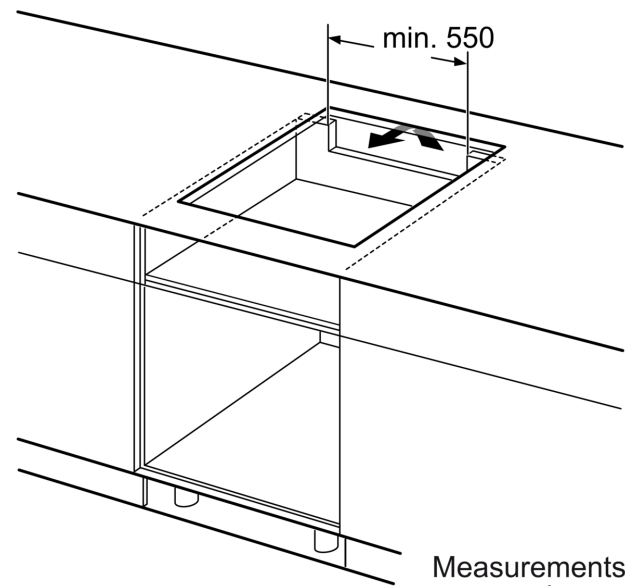
| C | D | E |
|---------|-----------|-----------|
| 585-600 | 50 | ≥ 35 |
| > 600 | ≥ 50 | ≥ 50 |

A: Recessed depth

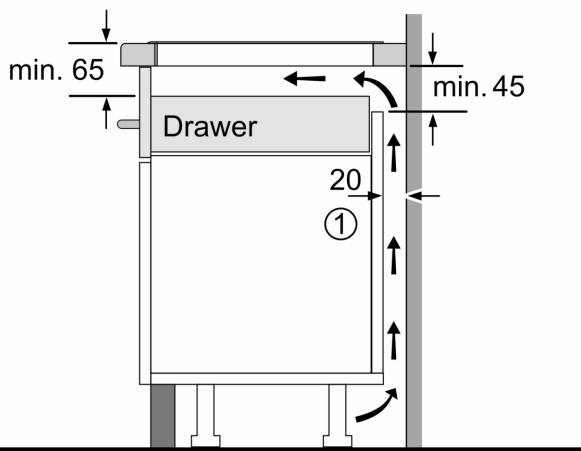


① Ventilation gap must be present

All measurements in mm



Measurements in mm



①
Ventilation gap must
be present.

Measurements in mm