

**Series 4, Gas hob, 60 cm, Stainless steel
PGP6B5B90**



**The gas hob with front-mounted controls:
the desired cooking zones can be
conveniently operated from the front.**

- **Stainless steel design:** The seamless, one-piece stainless steel design makes cleaning simple

Technical Data

Appliance type: gas hob w integrated controls
Built-in / Free-standing: Built-in
Heating type: Gas
Number of cooking zones: 4
Type of control setting devices: sword knobs
Required niche size for installation (HxWxD): 45 x 560-562 x 480-492 mm
Width of the appliance: 582 mm
Dimensions: 45x582x520 mm
Dimensions of the packed product (HxWxD): 168x798x596 mm
Net weight: 9.6 kg
Gross weight: 10.5 kg
Residual heat indicator: Without
Location of control panel: Front
Basic surface material: Stainless steel
Color of surface: Stainless steel
Length electrical supply cord: 100 cm
EAN code: 4242005119318
Gas connection rating: 7500 W
Fuse protection: 3 A
Voltage: 220-240 V
Frequency: 50; 60 Hz



Series 4, Gas hob, 60 cm, Stainless steel PGP6B5B90

**The gas hob with front-mounted controls:
the desired cooking zones can be
conveniently operated from the front.**

Design

- Stainless steel surface
- Cast iron pan supports

Usage convenience

- Design co-ordinated control dials: easily access dials in front with strong grip for effortless turning.
- Ignition via control dials: just push and turn the dials to ignite the flame.

Burners and power

- 4 gas burners:
- Left front: standard burner up to 1.75 KW (depending on gas type)
- Left rear: Standard burner up to 1.75 KW (depending on gas type)
- Right rear: high-speed burner up to 3 KW (depending on gas type)
- Right front: economy burner up to 1 KW (depending on gas type)

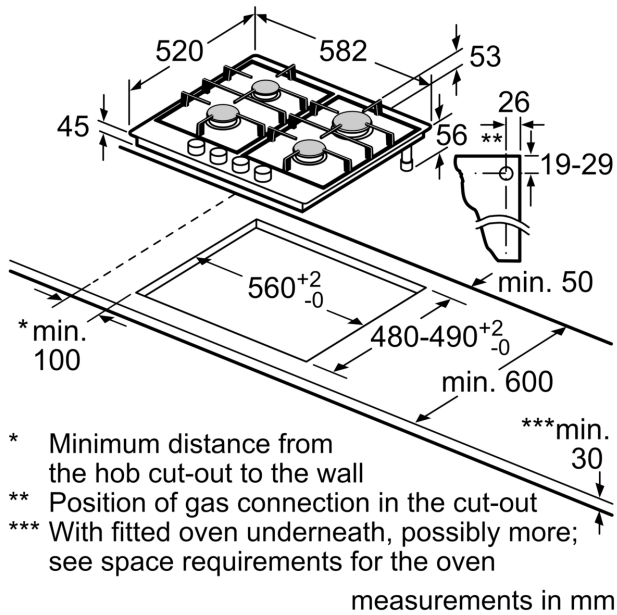
Safety

- Flame failure safety device: prevents unwanted gas flow when flame goes out.

Installation (gas types & measurements)

- Pre-set for natural gas
- Nozzle set for LPG jets included. Connection to 28-30/37 mbar bottled gas. Nozzles for all other gas types can be ordered via the customer service. For nozzle change, please contact the customer service.
- Dimensions of the product (HxWxD mm): 53 x 582 x 520
- Required niche size for installation (HxWxD mm) : 45 x 560 x (480 - 492)
- Min. worktop thickness: 30 mm
- Power cord: 1 m
- Connected load: 7.5 KW

**Series 4, Gas hob, 60 cm, Stainless steel
PGP6B5B90**



- * Minimum distance from the hob cut-out to the wall
- ** Position of gas connection in the cut-out
- *** With fitted oven underneath, possibly more; see space requirements for the oven