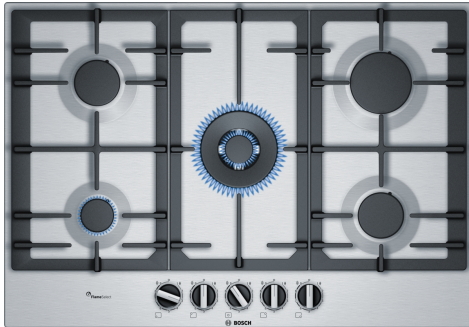


**Series 6, Gas hob, 75 cm, Stainless steel
PCQ7A5B90**



The stainless-steel gas hob with FlameSelect: achieve perfect cooking results thanks to nine precisely defined power levels.

Technical Data

Appliance type: gas hob w integrated controls
 Built-in / Free-standing: Built-in
 Heating type: Gas
 Number of cooking zones: 5
 Type of control setting devices: sword knobs
 Required niche size for installation (HxWxD): 45 x 560-562 x 480-492 mm
 Width of the appliance: 750 mm
 Dimensions: 45x750x520 mm
 Dimensions of the packed product (HxWxD): 145x793x597 mm
 Net weight: 13.8 kg
 Gross weight: 15.3 kg
 Residual heat indicator: Without
 Location of control panel: Front
 Basic surface material: Stainless steel
 Color of surface: Stainless steel
 Length electrical supply cord: 100 cm
 EAN code: 4242002837482
 Gas connection rating: 11500 W
 Fuse protection: 3 A
 Voltage: 220-240 V
 Frequency: 50; 60 Hz



Series 6, Gas hob, 75 cm, Stainless steel PCQ7A5B90

The stainless-steel gas hob with FlameSelect: achieve perfect cooking results thanks to nine precisely defined power levels.

Design

- Stainless steel surface
- Cast iron pan supports

Usage convenience

- FlameSelect: precisely control and adjust the flame in nine defined levels.
- Design co-ordinated control dials: easily access dials in front with strong grip for effortless turning.
- Ignition via control dials: just push and turn the dials to ignite the flame.

Burners and power

- 5 gas burners:
- Left front: economy burner up to 1 kW (depending on gas type)
- Left rear: Standard burner up to 1.75 KW (depending on gas type)
- Center front: wok burner up to 4 KW (depending on gas type)
- Right rear: high-speed burner up to 3 KW (depending on gas type)
- Right front: standard burner up to 1.75 KW (depending on gas type)

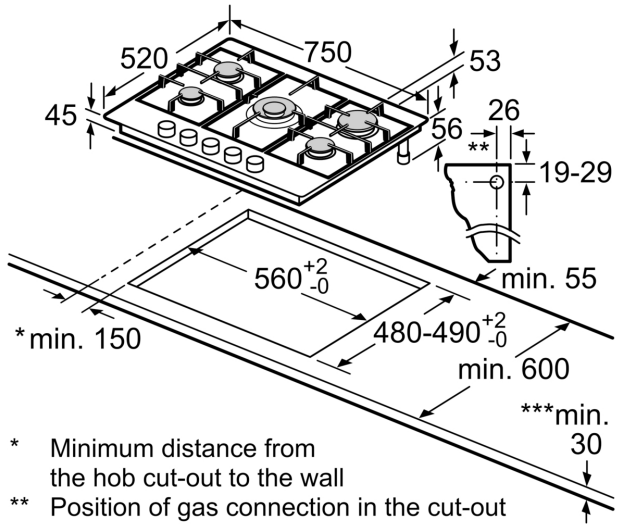
Safety

- Flame failure safety device: prevents unwanted gas flow when flame goes out.

Installation (gas types & measurements)

- Usable for: Nat gas L/LL G25/20mbar(DE)
- NG H/E 20mbar, E+ 20/25mbar
- Natural gas H 25 mbar (HU)
- Natural gas L 25 mbar (NL)
- Liquid gas G30,31 28-30/37mbar
- Liquid gas G30 37 mbar (PL)
- Liquid gas 50 mbar
- Pre-set for natural gas
- Nozzle set for LPG jets included. Connection to 28-30/37 mbar bottled gas. Nozzles for all other gas types can be ordered via the customer service. For nozzle change, please contact the customer service.
- Dimensions of the product (HxWxD mm): 53 x 750 x 520
- Required niche size for installation (HxWxD mm) : 45 x 560 x (480 - 492)
- Min. worktop thickness: 30 mm
- Power cord: 1 m
- Connected load: 11.5 KW

Series 6, Gas hob, 75 cm, Stainless steel
PCQ7A5B90



- * Minimum distance from the hob cut-out to the wall
 - ** Position of gas connection in the cut-out
 - *** With fitted oven underneath, possibly more; see space requirements for the oven
- measurements in mm