

Series 4, Built-under double oven NBS533BS0B



The built-in double compact oven with 3D hot air: achieve perfect baking and roasting results on multiple levels simultaneously.

- **Red LED display control:** easy-to-use thanks to the time functions.
- **Pop-out controls:** Make the front of the oven easy to clean and give it a sleek look.
- **EcoClean Direct:** less cleaning effort thanks to a special coating which covers the rear wall of the lower oven.
- **2 universal pans, slim size:** optimized for smaller amounts of different dishes.

Technical Data

Built-in / Free-standing: Built-in
 Integrated Cleaning system: No
 Dimensions: 717x594x550 mm
 Dimensions of the packed product (HxWxD):790x660x695 mm
 Control Panel Material: Stainless steel
 Door Material: Glass
 Net weight:47.4 kg
 Usable volume of cavity: 47 l
 Cooking method: Full width grill, Hotair gentle, Hot Air, Conventional heat, Hot air grilling
 EAN code: 4242005034628
 Energy efficiency rating:A
 Energy consumption per cycle conventional (2010/30/EC):0.84 kWh/cycle
 Energy consumption per cycle forced air convection (2010/30/EC):71 kWh/cycle
 Energy efficiency class (2010/30/EC) - cavity 2: B
 Energy consumption per cycle conventional - cavity 2 (2010/30/EC):83 kWh/cycle
 Energy efficiency index (2010/30/EC): 94.7 %
 Energy efficiency index cavity 2 (2010/30/EC): 120.3 %
 Connection rating: 5300 W
 Fuse protection:25 A
 Voltage: 220-240 V
 Frequency: 50 Hz
 Plug type: no plug (electrical connection by electrician), fixed connection (electrical connection by electrician)
 Included accessories: 2 x combination grid, 1 x universal pan, 2 x universal pan, slim size

Included accessories

2 x combination grid, 1 x universal pan, 2 x universal pan, slim size

Optional accessories

HEZ638000 Full ext rails, level independent
 HEZ538000 1fold telescopic rail, level independent
 HEZ629070 Air Fry & Grill tray
 HEZ32WA00 Wireless food thermometer
 HEZ530000 Half tray



Series 4, Built-under double oven NBS533BS0B

The built-in double compact oven with 3D hot air: achieve perfect baking and roasting results on multiple levels simultaneously.

- Nominal voltage: 220 - 240 V
- Appliance dimension (hxwx): 717 mm x 594 mm x 550 mm
- Niche dimension (hxwx): 720 mm - 720 mm x 560 mm - 568 mm x 550 mm
- "For-details-on-installation-and-ventilation requirements – please refer to the installation manual prior to fitting."

Design

- LED-Display Control (Red)
- Interior halogen light
- Rotary dial, Retractable control dials, round With steel trim

Features

- Control panel lock
- Electronic clock timer
- Automatic start
- Heating-up indicator

Top oven additional features

- Cavity volume: 34 litre capacity
- Full glass inner door
- Cavity (inner surface) top: Enamel grey
- Door hinge small cavity: Drop down oven door
- 3 shelf positions

Main oven additional features

- Cavity volume: 47 litre capacity
- EcoClean Direct : back panel
- Full glass inner door
- Door hinge big cavity: Drop down door

Top oven

- Oven with 3 heating methods: conventional top/bottom heat, Large-area grill, Small area grill
- Temperature range 50 °C - 275 °C

Main oven

- Oven with 5 heating methods: 3D Hotair, conventional top and bottom heat, Hotair grilling, full width variable grill, Hotair gentle
- Temperature range 50 °C - 275 °C
- Fast pre-heating function

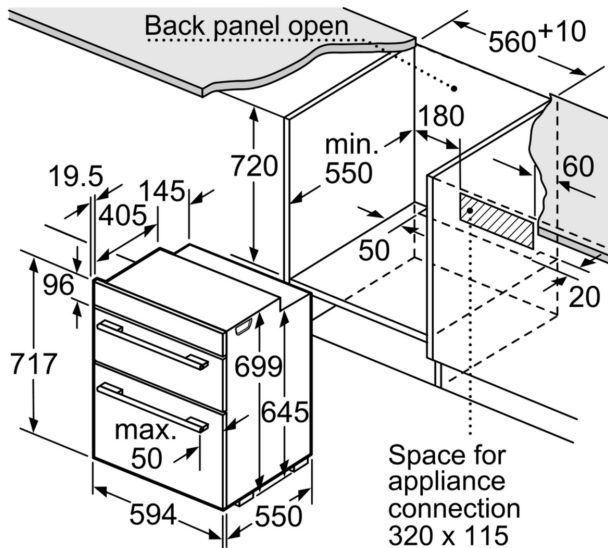
Accessories

- 2 x combination grid, 1 x universal pan, 2 x universal pan, slim size

Performance/technical information

- Energy efficiency rating (acc. EU Nr. 65/2014): B(at a range of energy efficiency classes from A+++ to D)
- Energy consumption per cycle in conventional mode: 0.83 kWh
- Number of cavities: Top Cavity
- Heat source: electrical
- Energy efficiency rating (acc. EU Nr. 65/2014): B(at a range of energy efficiency classes from A+++ to D)
- Energy consumption per cycle in conventional mode: 0.83 kWh
- Energy consumption per cycle in fan-forced convection mode: 0.71 kWh
- Number of cavities: Main Cavity
- Heat source: electrical
- Total connected load electric: 5.3 KW

Series 4, Built-under double oven NBS533BS0B



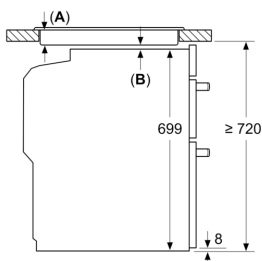
measurements in mm

measurements in mm

If the appliance will be installed underneath a hob, the following worktop thicknesses (including substructure if necessary) must be taken into account.

Hob type	min. worktop thickness	
	fitted	flush
Induction hob	39	40
Full-surface induction hob	49	50
Gas hob	29	40
Electric hob	29	32

measurements in mm
Installation with a hob



A: Recessed depth 29-50 mm.
See hob dimensional drawing.
B: Min. distance:
Induction hob: 5 mm
Gas hob: 5 mm
Electric hob: 2 mm

measurements in mm

