

Montpellier

THE PERFECT BALANCE OF FUNCTION & STYLE

LAUNDRY DISHWASHING COOKING COOLING

Installation & Operating Instructions



60cm Freestanding Dishwasher
MDWC1496W White

Please read these instructions carefully before attempting to install or use this appliance.
We recommend that you keep these instructions in a safe place for future reference.

Thank you for choosing this Montpellier appliance.

Our appliances have been designed to provide you with the best combination of style, reliability and performance, to give you years of trouble-free use.

You may be familiar with a similar product, but please take the time to read these instructions carefully before installing or using your appliance to ensure that you get the most from your purchase.



montpellier-appliances.com

12

YEAR

GUARANTEE

PARTS & LABOUR

ACROSS ALL OUR MODELS

Thank you for choosing this product.

This User Manual contains important safety information and instructions on the operation and maintenance of your appliance.

Please take the time to read this User Manual before using your appliance and keep for future reference.

The design and specifications are subject to change without prior notice for product development.

We recommend that you keep this manual in a safe place for future reference.

Your appliance is covered by a comprehensive two year Parts & Labour Guarantee. In the unlikely event that you experience a problem with your appliance, you can rest assured that you are fully protected against the cost of repairs for the first 24 months. Please note that any claim must be accompanied by the model reference number, serial number and proof of purchase.

To activate your guarantee, you will need your product serial number. This can be found inside your appliance.

NB: Please make sure that you keep a copy of your original sales invoice as this will be needed if any service call is required.






There are three ways to register your Guarantee:

Online: Visit the Support page on our website and complete the online Product Registration form.

www.montpellier-appliances.com

By Post: Simply detach and fill in the form provided, attach a stamp and send it in the post. Don't forget to include your e-mail address so that we can send confirmation through to you.

By Phone: Contact our warranty registration department on **08081 961 388**

Icon	Type	Meaning
	Warning	Serious injury or death risk
	Risk of electric shock	Dangerous voltage risk
	Fire	Warning, risk of fire / flammable materials
	Caution	Injury or property damage risk
	Important	Operating the system correctly

1 Putting Your Safety First	4
1.1 General Safety Warnings	4
1.2 Installation Warnings	4
1.3 During Usage	4
2 INSTALLATION	6
2.1 Machine Positioning	6
2.2 Water Connection	6
2.3 Water Inlet Hose	6
2.4 Drain Hose	6
2.5 Electrical Connection	7
2.6 Fitting the Machine Undercounter	7
3 TECHNICAL SPECIFICATIONS	8
3.1 General Appearance	8
3.2 Technical Specifications	9
4 BEFORE USING THE APPLIANCE	9
4.1 Preparing Your Dishwasher For First Use	9
4.2 Salt Usage	9
4.3 Fill the Salt	9
4.4 Test Strip	10
4.5 Water Hardness Table	10
4.6 Water Softener System	10
4.7 Setting	10
4.8 Detergent Usage	11
4.9 Filling the Detergent	11
4.10 Using Combined Detergents	11
4.11 Rinse-aid Usage	11
4.12 Filling the Rinse-aid and Setting	12
5 LOADING YOUR DISHWASHER	13
5.1 Recommendations	13
5.2 Basket Adjustments	13
5.3 Alternative Basket Loads	16
6 PROGRAMME TABLE	17
7 THE CONTROL PANEL	19
7.1 Selecting a Programme	20
7.2 Changing a Programme	20
7.3 Cancelling a Programme	21
7.4 Switching the Machine Off	21
8 CLEANING & MAINTENANCE	21
8.1 Filters	22
8.2 Spray Arms	22
8.3 Drain Pump	22
9 TROUBLESHOOTING	23
10 PRODUCT FICHE	25
11 HERE FOR YOU	26
11.1 After-sales Assistance	26

1 Putting Your Safety First

1.1 General Safety Warnings

Read these instructions carefully before using your appliance and keep this manual for future reference.

- ⚠ Please check the packaging of your machine before installation and the outer surface of the machine once the packaging has been removed. Do not operate the machine if it appears damaged or if the packaging has been opened.

- Packaging materials protect your machine from any damage that might occur during transportation. The packaging materials are environmentally friendly as they are recyclable. Use of recycled material reduces raw material consumption and decreases waste production.

- ⚠ This appliance can be used by children aged from 8 years and above, and by persons with reduced physical, sensory or mental capabilities or lack of experience and knowledge if they have been given supervision or instruction concerning the use of the appliance in a safe way and understand hazards involved. Children should not be allowed to play with the appliance.

- ⚠ Remove packaging and keep it out of reach of children.

- ⚠ Keep children away from detergents and rinse-aid.

- ⚠ There may be some residue left in the machine after washing. Keep children away from the machine when it is open.

1.2 Installation Warnings

- Choose a suitable and safe place to install your machine.
- Only original spare parts should be used with the machine.

- ⚠⚠ Unplug the machine before installation.

- ⚠ Your machine must only be installed by an authorised service agent. Installation by anyone other than an authorised agent may cause your warranty to be void.

- ⚠ Check that the indoor electrical fuse system is

connected in line with safety regulations.

- ⚠ All electrical connections must match the values on the rating plate.

- ⚠⚠ Ensure the machine does not stand on the electrical supply cable.

- ⚠ Never use an extension cord or a multiple socket connection.

- ⚠ The plug should be accessible after the machine is installed.

- After installation, run your machine unloaded for the first time checking the appliance runs a full cycle and has no leaks.

- ⚠⚠ The machine must not be plugged in during positioning.

- ⚠ Always use the coated plug supplied with your machine.

- ⚠⚠ If the electrical cable is damaged, it should only be replaced by a qualified electrician.

- Connect the hose directly to the water inlet tap. The pressure supplied by the tap should be a minimum of 0.03 MPa and a maximum of 1 MPa. If the pressure exceeds 1 MPa, a pressure relief valve must be fitted between the connection.

1.3 During Usage

- This machine is for domestic use only, do not use it for other purposes. Commercial use will void the guarantee.

- ⚠ Do not stand, sit or place loads on the open door of the dishwasher.

- ⚠ Only use detergents and rinse-aid produced specifically for dishwashers. Our company is not responsible for any damage that may occur due to misuse.

- ⚠ Do not drink water from the machine.

- ⚠ Due to the danger of explosion, do not place any chemical dissolving agents into the machine's washing section.

- Check the heat-resistance of plastic items before washing them in the machine.

- Only put items in the machine which are suitable for dishwashing, and take care not to overfill the baskets.
- Do not open the door while the machine is in operation, hot water may spill out. Safety devices ensure the machine stops if the door is opened.
- The machine door should not be left open. It may cause accidents.
- Place knives and other sharp objects in the cutlery basket in a blade-down position.
- For models with the automatic door-opening system, when the EnergySave option is active, the door will open at the end of a programme. To prevent damage to your dishwasher, do not attempt to close the door for one minute after it has opened. For effective drying, keep the door open for 30 minutes after a programme has ended. Do not stand in front of the door after the auto-open signal sounds.
- In the case of a malfunction, repair should only be performed by an authorised service company, otherwise the warranty will be void.
- Before repair work, the machine should be disconnected from the mains. Do not pull the cable to unplug the machine. Switch off the water tap.
- Operation at a low voltage will cause a decline in performance levels.
- For safety, disconnect the plug once a programme has finished.
- To avoid an electric shock, do not unplug the machine with wet hands.
- Pull the plug to disconnect the machine from the mains, never pull on the cord.

- Material unsuitable for domestic waste must be disposed of at recycling centres.
- Contact a relevant recycling centre to obtain information about disposal of different materials.

Packaging and the Environment

Packaging materials protect your machine from damage that may occur during transportation. The packaging materials are environmentally friendly as they are recyclable. The use of recycled material reduces raw material consumption and therefore decreases waste production.

CE Declaration of Conformity

We declare that our products meet the applicable European Directives, Decisions and Regulations and the requirements listed in the standards referenced.

Disposal of your old machine

The symbol on the product or on its packaging indicates that this product may not be treated as household waste. Instead, it shall be handed over to the applicable collection point for the recycling of electrical and electronic equipment. By ensuring this product is disposed of correctly, you will help prevent potential negative consequences for the environment and human health, which could otherwise be caused by inappropriate waste handling of this product. For more detailed information about recycling of this product, please contact your local city office, your household waste disposal service or the shop where the product was purchased.



Recycling

- Some machine components and packaging consist of recyclable materials.
- Plastics are marked with the international abbreviations: (>PE<, >PP<, etc.)
- The cardboard parts consist of recycled paper. They can be put into waste paper containers for recycling.

2 Installation

2.1 Machine Positioning

When positioning the machine, place it in an area where dishes can be easily loaded and unloaded.

Do not put the machine in an area where the ambient temperature falls below 0°C.

Read all warnings located on the packaging before removing the packaging and positioning the machine.

Place the machine close to a water tap and drain. Take into consideration that the connections will not be altered once the machine is in position.

Do not hold the machine by its door or panel.

⚠ Ensure the water inlet and outlet hoses are not squeezed or trapped and that the machine does not stand on the electrical cable or any hoses while positioning.

Adjust the feet so the machine is level and balanced.

The machine should be placed on a flat solid surface otherwise it will be unstable and the door of the machine will not close properly.

It is not recommended to fit the dishwasher on any kind of carpet or carpet tiles.

2.2 Water Connection

We recommend fitting a filter to your water inlet supply in order to prevent damage to your machine due to contamination (sand, rust, etc.) from indoor plumbing. This will also help prevent yellowing and deposit formation after washing.

Note: printing on the water inlet hose! If models are marked with 25°, the water temperature may be max. 25 °C (cold water).

2.3 Water Inlet Hose



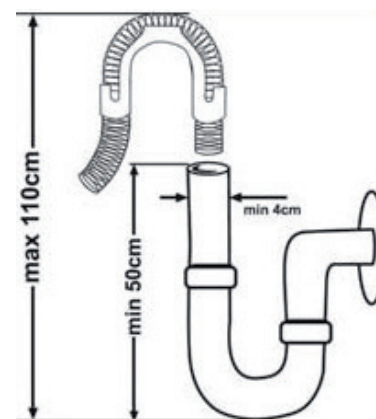
⚠ WARNING: Use the new water inlet hose supplied with your machine, do not use an old machine's hose.

⚠ WARNING: Run water through the new hose before connecting.

⚠ WARNING: Connect the hose directly to the water inlet tap. The pressure supplied by the tap should be a minimum of 0.03 MPa and a maximum of 1 MPa. If the pressure exceeds 1 MPa, a pressure relief valve must be fitted between the connection.

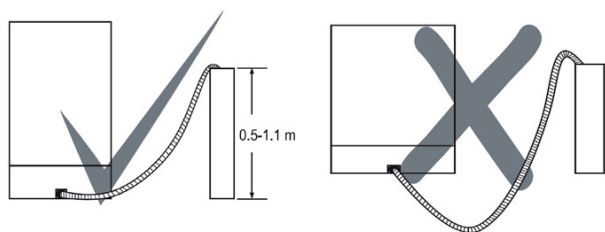
⚠ WARNING: After the connections are made, turn the tap on fully and check for water leaks at both the tap end and the dishwasher end. Always turn off the water inlet tap after a wash programme has finished.

2.4 Drain Hose



Connect the water drain hose directly to water drain hole or to the sink outlet spigot. This connection should be minimum 50 cm and maximum 110 cm from floor that the dishwasher is placed on.

IMPORTANT: Items will not wash properly if a drain hose longer than 4m is used.



2.5 Electrical Connection

WARNING: Your machine is set to operate at 220-240V. If the mains voltage supply to your machine is 110V, connect a transformer of 110/220V and 3000W between the electrical connection and the appliance.

WARNING: Connect the product to a grounded outlet protected by a fuse complying with the values in the "Technical Specifications table."

WARNING: The earthed plug of the machine must be connected to an earthed outlet supplied by suitable voltage and current.

WARNING: In the absence of earthing installation, an authorised electrician should carry out an earthing installation. In the case of use without earthing installed, we will not be responsible for any loss of use that may occur.

WARNING: The plug on this appliance will incorporate a 13A fuse.

2.6 Fitting The Machine Undercounter

If you wish to fit your machine undercounter, there must be sufficient space to do so and the wiring-plumbing must be suitable to do so (1). If the space under the countertop is not suitable for fitting your machine but it will fit with the worktop removed, remove the worktop as shown in the illustration (2).

WARNING: The countertop, which the machine will be placed under, must be stable in order to prevent imbalance. The top panel of the dishwasher must be removed to fit the machine under the countertop.

To remove the top panel, remove the screws that hold it on, located at the rear of the machine. Then, push the panel 1 cm from the front towards the rear and lift it. Adjust the machine feet according to the slope of the floor (3).

Fit your machine by pushing it under the counter taking care not to crush or bend the hoses (4).

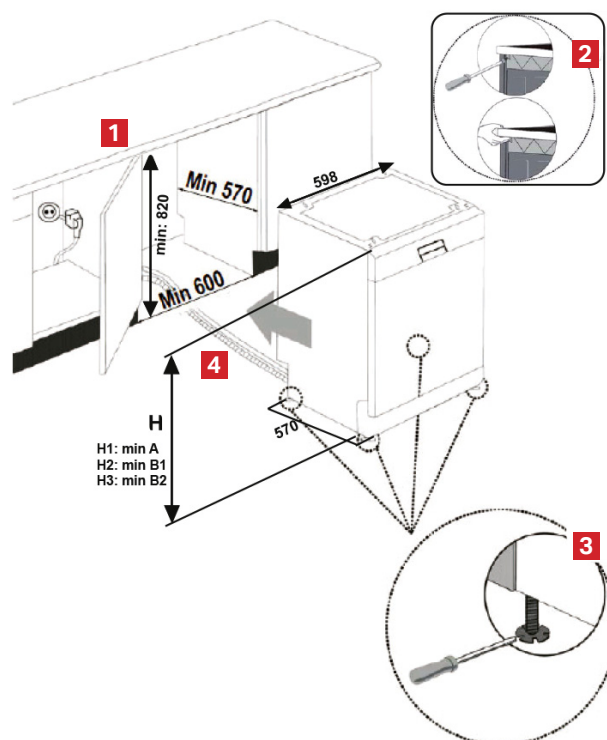
WARNING: After removing the top panel of your dishwasher, the machine should be placed in a space of the dimensions shown in the table below.

	A	B	
60cm	All Products	B1	B2
Product's Height (+2mm)	820mm	830mm	835mm

A: If there is no felt on the top of the product; you should take into account this product's height.

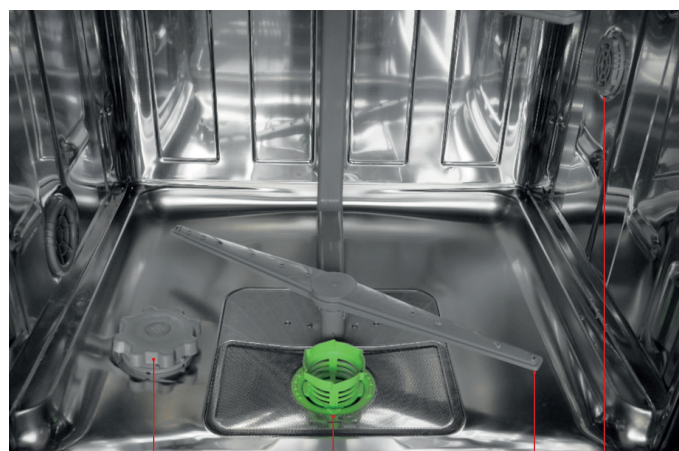
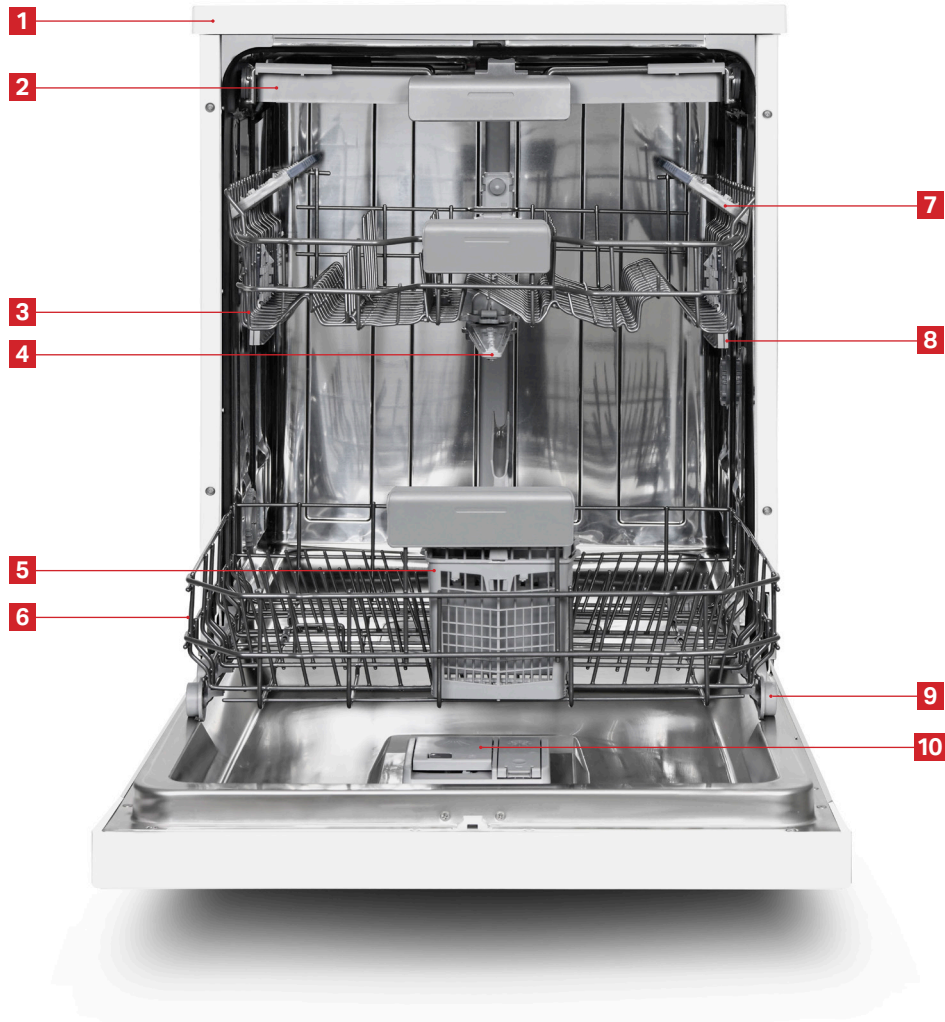
B1: If there is felt on the top of the product with 2nd basket, you should take into account this product's height.

B2: If there is felt on the top of the product with 3rd basket; you should take into account this product's height.



3 Technical Specifications

3.1 General Appearance



1. Worktop
2. Cuttlery tray
3. Upper basket with racks
4. Upper spray arm
5. Cuttlery basket
6. Lower basket with racks
7. Mug shelves
8. Upper basket track latch
9. Lower basket wheels
10. Detergent and rinse-aid dispenser
11. Salt dispenser
12. Filters (Antibacterial)
13. Lower spray arm
14. Super Active Drying Unit: This system provides better drying performance for your dishes.

3.2 Technical Specifications

Capacity	14 place settings
Dimensions (mm)	
Height	850
Width	598
Depth	598
Operating voltage/frequency	220-240V 50Hz
Total current	10A
Total power	1900W
Water supply pressure	Maximum 1Mpa Minimum 0.03Mpa

4 Before Using the Appliance

4.1 Preparing Your Dishwasher For First Use

- Make sure the electricity and supply water specifications match the values indicated in the installation instructions for the machine.
- Remove all packaging material inside the machine.
- Set the water softener level, after filling with salt.
- Set the rinse-aid level, after filling the rinse-aid compartment.

4.2 Salt Usage

For a good washing function, the dishwasher needs soft, i.e. less calcareous water. Otherwise, White lime residues will remain on the dishes and the interior equipment. This will negatively affect your machine's washing, drying and shining performance. When water flows through the softener system, the ions forming the hardness are removed from the water and the water reaches the softness required to obtain the best washing result. Depending on the level of hardness of the inflowing water, these ions that harden the water accumulate rapidly inside the softener system. Therefore, the softener system has to be refreshed so that it operates with the same performance during every wash. For this purpose, dishwasher salt is used. The dishwasher can only use special dishwasher salt to soften the water. Do not use any small grained or powdered type of salts which are easily soluble (for example table salt). Using any other type of salt can damage your machine and will invalidate your guarantee.

Only add water to the salt compartment before first use.

Use softener salt specifically produced for use in dishwashers.

When you start your dishwasher, the salt compartment is filled with water, therefore put the softener salt in prior to starting your machine (see below for filling instructions).

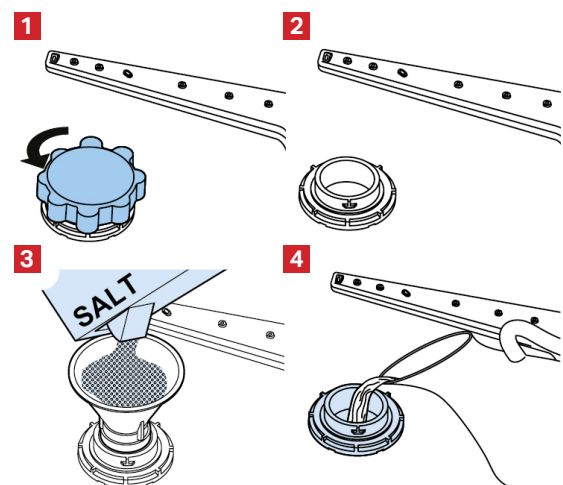
If the softener salt has overflowed and you do not start the machine immediately, run a short washing programme to protect your machine against corrosion.

4.3 Fill The Salt

To add softener salt,

- (1) Open the salt compartment cap by turning it counter clockwise.
- (2) Remove salt cap.
- (3) Before first use, fill the compartment with 1Kg salt. If available, using a funnel will make filling easier.
- (4) Fill the container with water until it is almost overflowing. Replace the cap making sure it is secure and tight.

After every 20-30 Cycles, or when the re-fill light indicates, add salt into your machine until it fills up the container (approx. 1Kg).



4.4 Test Strip

	Run water through the tap (1min)	Keep the strip in the water (1sec)	Shake the strip	Wait (1min)	Set the hardness level of your machine
					1 2 3 4 5 6

NOTE: The level is set to 3 as default. If the water is well water or has a hardness level above 90 dF, we recommend that you use filter and refinement devices.

4.5 Water Hardness Table

Level	German dH	French dF	british dE	Indicator
1	0-5	0-9	0-6	L1 is shown on the display
2	6-11	10-20	7-14	L2 is shown on the display
3	12-17	21-30	15-21	L3 is shown on the display
4	18-22	31-40	22-28	L4 is shown on the display
5	23-31	41-55	29-39	L5 is shown on the display
6	32-50	56-90	40-63	L6 is shown on the display

4.6 Water Softener System

The dishwasher is equipped with a water softener which reduces the hardness in the mains water supply. To find out the hardness level of your tap water, contact your water company or use the test strip supplied.

4.7 Setting

In order to change the salt level, follow the below steps:

- Turn on the machine by pressing the On/Off button.
- Press the programme button for at least 3 seconds immediately after the machine is turned on.
- Release the programme button when "SL" is shown. Next, the last setting level is displayed.
- Press the programme button to set the desired level. Each press of the programme button increases the level. Once level 6 has been reached, the next press returns the level to 1.
- The last selected water hardness level is stored in the memory by turning the machine off with the On/Off button.

4.8 Detergent Usage

Only use detergents specifically designed for domestic dishwashers. Keep your detergents in cool, dry places out of reach of children. Add the proper detergent for the selected programme to ensure the best performance. The amount of detergent needed depends on the cycle, load size, and soil level of dishes.

Do not fill detergent into the detergent compartment more than required; otherwise you can see whitish streaks or bluish layers on glass and dishes and may cause glass corrosion. Continued use of too much detergent may cause machine damage. Using little detergent can result in poor cleaning and you can see whitish streaks in hard water areas.

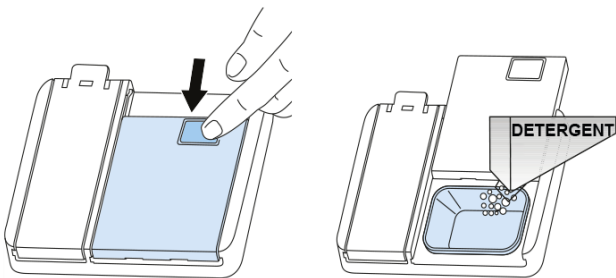
See the detergent manufacturer's instructions for a further information.

4.9 Filling The Detergent

Push the latch which will cause the dispenser lid to slide upwards. Once fully open pour in the required amount of detergent.

Close the lid by sliding it back over the detergent and press it until it locks in place.

The dispenser should be refilled just before the start of each programme.



4.10 Using Combined Detergents

These products should be used according to the manufacturer's instructions. Never put combined detergents into the interior section or the cutlery basket. Combined detergents contain not only the detergent but also rinse-aid, salt replacement substances and additional components depending on the combination. We recommend you do not use combined detergents in short programmes. Please use powder detergents instead.

If you encounter problems when using combined detergents, please contact the detergent manufacturer.

When using combined detergents, make sure that water hardness and rinse-aid settings are set to the correct level.

If you stop using combined detergents make sure that the levels are adjusted accordingly.

4.11 Rinse-aid Usage

The rinse-aid helps to dry the dishes without streaks and stains.

Rinse-aid is required for stain-free utensils and clear glasses.

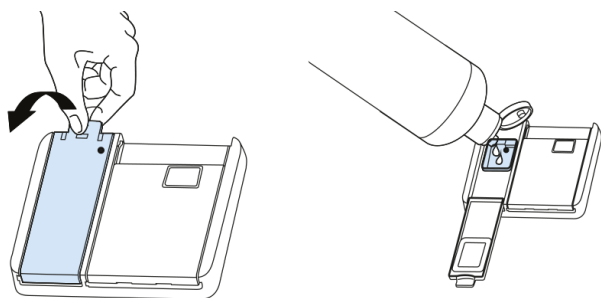
The rinse-aid is automatically released during the hot rinse phase.

If the rinse-aid dosage setting is set too low, whitish stains may remain on dishes and dishes do not dry or wash properly.

If the rinse-aid dosage setting is set too high you can see bluish layers on glass, dishes and the interior of the dishwasher.

4.12 Filling The Rinse-aid And Setting

To fill the rinse-aid compartment, open the rinse-aid compartment cap. Fill the compartment with rinse-aid to the MAX level and then close the cap. Be careful not to overfill the rinse-aid compartment and wipe up any spills. If excessive amounts over spill it is advisable to immediately run the Prewash cycle



In order to change the rinse-aid level, follow the below steps before turning on the machine:

- Push the programme button and hold it down.
- Turn on the machine while holding down the programme button.
- Hold down the programme button until "rA" appears. Rinse-aid setting follows water hardness setting (SL, L-)
- The machine will display the last setting.
- Change the level by pressing the Programme button.
- Turn off the machine to save the setting.

The factory setting is 4. If the dishes are not drying properly or are spotted, increase the level. If blue stains form on your dishes, decrease the level.

Level	Dispensed Dose	Indicator
1	Rinse-aid NOT dispensed	r1 is shown on the display
2	1 dose of rinse-aid dispensed	r2 is shown on the display
3	2 doses of rinse-aid dispensed	r3 is shown on the display
4	3 doses of rinse-aid dispensed	r4 is shown on the display
5	4 doses of rinse-aid dispensed	r5 is shown on the display

5 Loading Your Dishwasher

For best results, follow these loading guidelines.

Loading the household dishwasher up to the capacity indicated by the manufacturer will contribute to energy and water savings.

Manual pre-rinsing of tableware items leads to increased water and energy consumption and is not recommended.

You can place cups, glasses, stemware, small plates, bowls, etc. in the upper basket.

Do not lean long glasses against one another as they cannot remain steady and may be damaged.

When placing long stem glasses and goblets, lean them against the basket edge or rack and not against other items.

Place all containers such as cups, glasses, bowls and pots into the dishwasher with the opening facing downwards otherwise water can collect in items which will effect the wash programme.

When placing cutlery into the cutlery basket you are recommended to use the cutlery grid in order to obtain the best result.

Place all large (pots, pans, lids, plates, bowls etc) and very dirty items in the lower rack.

Dishes and cutlery should not be placed above each other.

⚠ WARNING: Take care not to obstruct the rotation of the spray arms.

⚠ WARNING: Make sure after loading, the dishes do not prevent the opening of the detergent dispenser.

5.1 Recommendations

🔴 IMPORTANT: Remove any coarse residue on dishes before placing them inside the dishwasher. Always try and start the dishwasher with a full load as this will be the most efficient way to use the appliance.

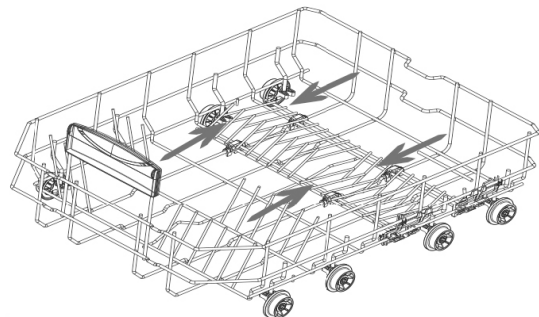
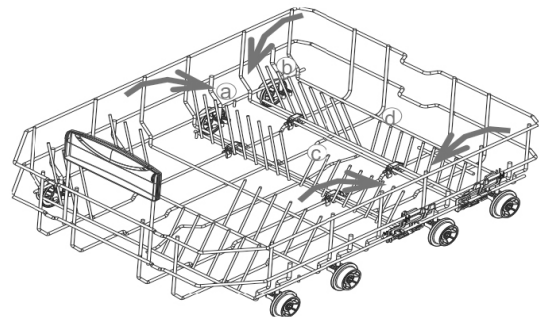
🔴 Do not overload the cutlery basket or place dishes in the wrong basket.

🔴 WARNING: To avoid any possible injuries, place long-handle knives on the knife rack or horizontally on the baskets and sharp-pointed knives in the cutlery basket with their sharp points facing down.

5.2 Basket Adjustments

Lower Basket Four Folding Racks

The folding racks on the lower basket allow for the placement of larger items, such as pots and pans. Each section can be folded separately. They can either be folded down or raised up, as shown in the image below.

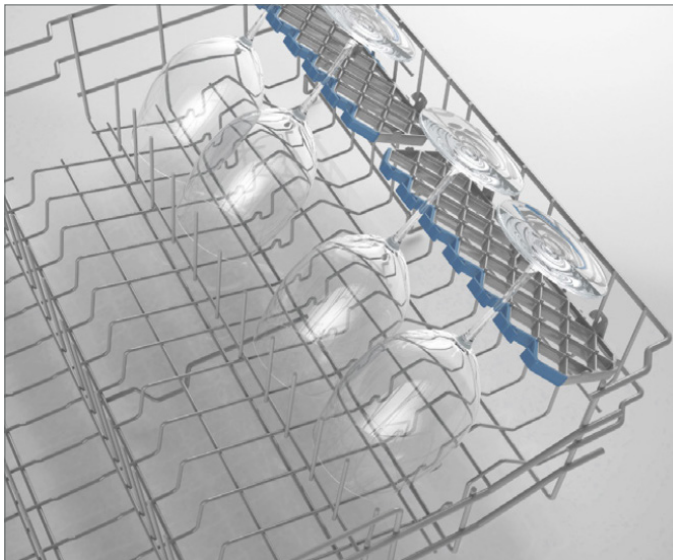


Soft Touch Upper Basket

Height Adjustment

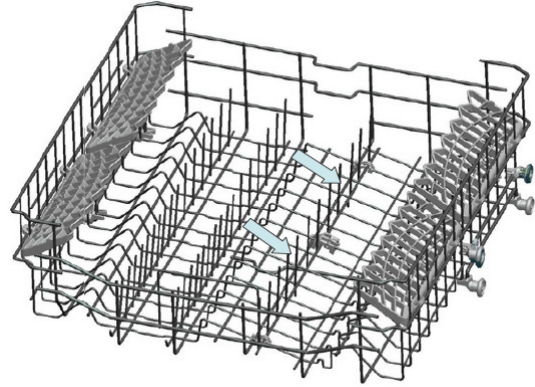
These racks are designed to increase the capacity of the top basket. You can place your glasses and cups on the racks. You can adjust the height of these racks. Thanks to this feature, you can place different sizes of glasses under these racks.

Thanks to height adjustment plastics mounted on the basket, you can use your racks in 2 different heights. In addition, you can place long forks, knives and spoons on these racks laterally, so that they do not block the revolution of propeller. The soft touch feature on the racks serves to place the fine stemmed glass. The wine glass is placed in the area shown at the picture.



Folding racks

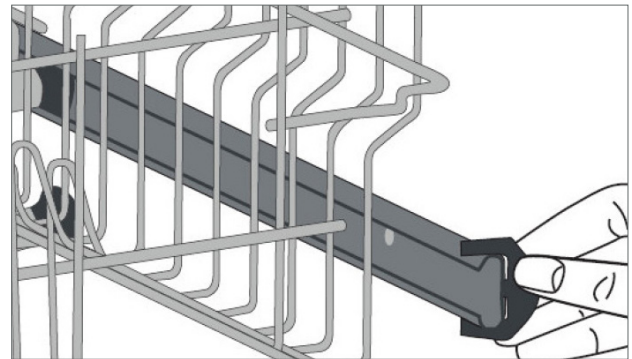
The foldable racks in the upper basket enable the placement of large items such as pots and pans. Each section can be folded separately. The foldable racks can either be raised up or folded down as shown in the image below.



Upper Basket Removal

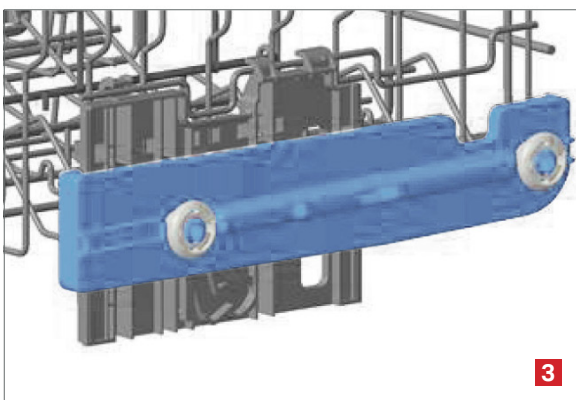
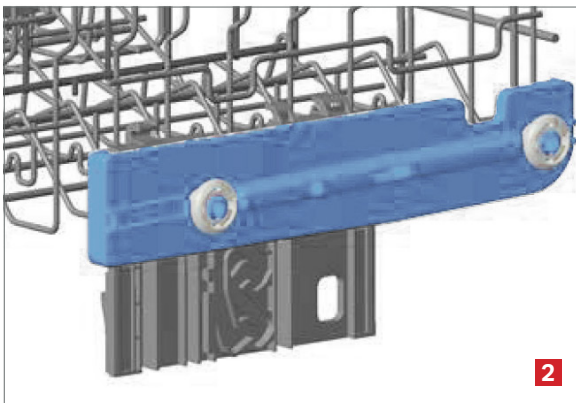
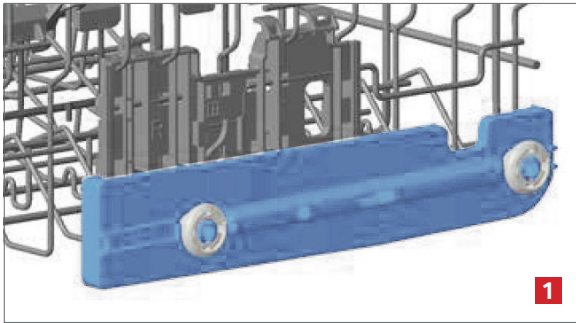
Turn the Rail Stop Clips, at the ends of the rails, to the sides to open them (as shown in the image below), then pull out and remove the basket.

To reinstall the basket to the rail, guide the basket wheels into the rails and close the Rail Stop Clips.



Upper Basket Height Adjustment When Full

The upper basket includes a mechanism that allows the height of the basket to be adjusted to the upper (1), lower (2), or middle position (3), without having to remove the basket. Grasp the basket on both sides and pull it up or down, ensuring that both sides of the upper basket are in the same position.

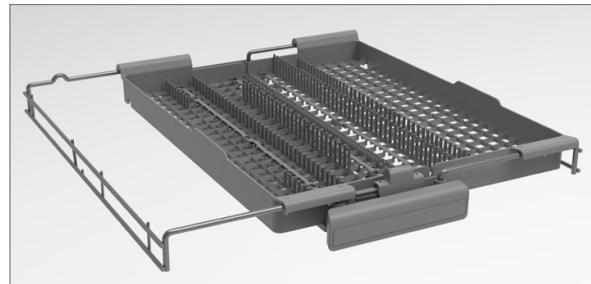


Upper Cutlery Tray

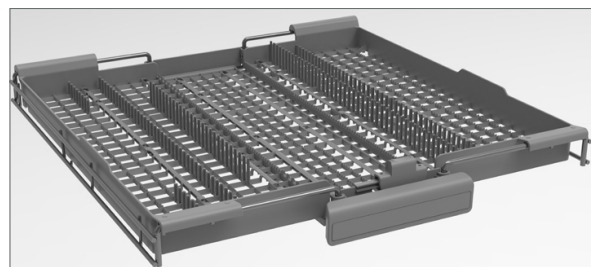
The upper cutlery tray is designed for you to place forks, spoons and knives, long utensils and small items.



The upper cutlery tray is composed of three pieces; if you need to space for the dishes in the upper basket, you can slide the left or right part of the upper cutlery tray in order to obtain more space.



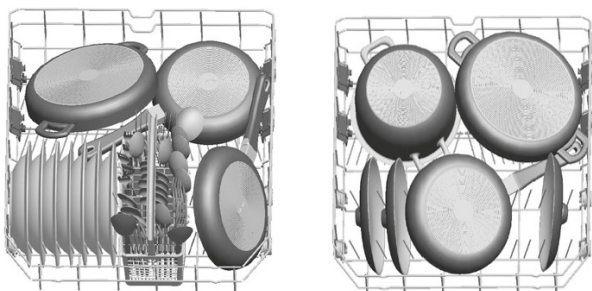
The middle part of the upper tray can be moved down and up to obtain more space.



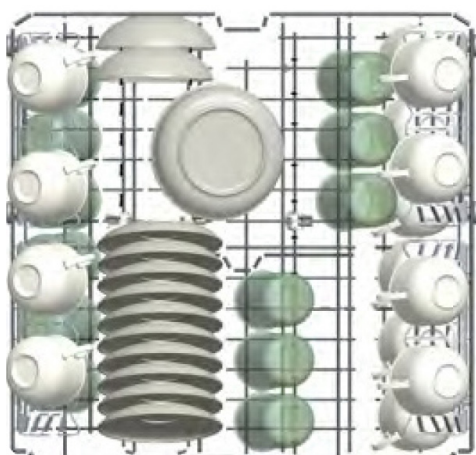
⚠ WARNING: Knives and other sharp objects must be placed horizontally in the cutlery tray.

5.3 Alternative Basket Loads

Lower Basket

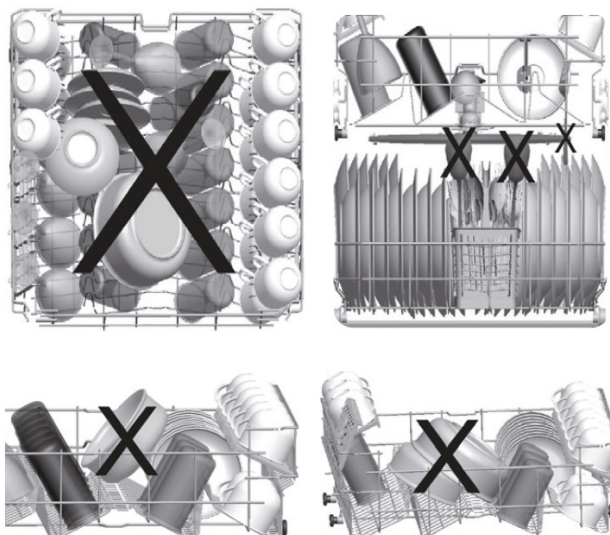


Upper Basket



Incorrect Loads

Incorrect loading can cause poor washing and drying performance. Please follow the manufacturer's recommendations for good performance results.



Unsuitable Items For Dishwashing


- Cigarette ash, candle leftovers, polish, paint, chemical substances, iron-alloy materials.
 - Forks, spoons and knives with wooden, bone, ivory or nacre coated handles; glued items, items soiled with abrasive, acidic or base chemicals.
 - Temperature-sensitive plastics, copper or tin coated containers.
 - Aluminium and silver objects.
 - Some delicate glasses, ornamental printed porcelains; some crystal items, adhered cutlery, lead crystal glasses, cutting boards, synthetic fibered items.
 - Absorbent items such as sponges or kitchen rugs.
- 🚫 IMPORTANT:** In future, purchase dishwasher - proof kitchenware.

Important Note for Test Laboratories

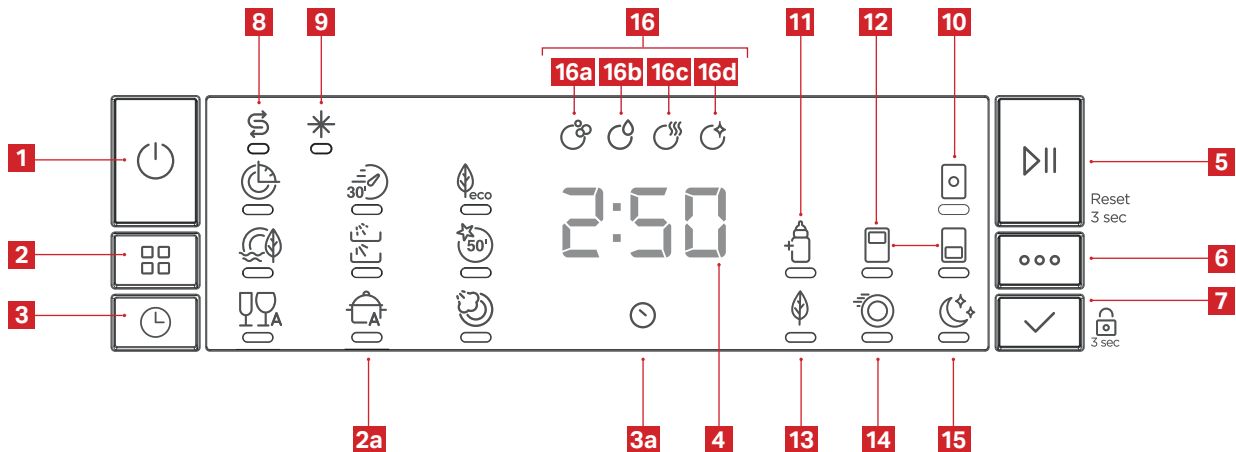
For detailed information required for tests according to EN normatives and a soft copy of the manual, please send the model name and serial number to the following address: dishwasher@standardtest.info

6 Programme Table

	P1	P2	P3	P4	P5	P6	P7	P8	P9
Programme name	Mini 14'	Quick 30'	Eco	Save+ 5.4Ltr	Dual Pro Wash 60°C	Super 50'	Smart 30°C-50°C	Smart 50°C-70°C	Steam Wash
Type of soil	Fastest programme for lightly soiled and recently used dishes and suitable for 4 place settings	Suitable for lightly soiled dishes and quick wash	Standard programme for normally soiled daily dishes with reduced energy and water consumption	Suitable for normally soiled dishes with the least water consumption	Suitable for both lightly soiled delicate glassware on upper rack and heavily soiled crockery on lower rack	Suitable for normally soiled daily dishes with faster programme	Auto programme for normally soiled delicate dishes	Auto programme for heavily soiled dishes	Suitable for heavily soiled dishes with effective cleaning by steam
Level of soil	Light	Light	Medium	Medium	Heavy	Medium	Medium	Heavy	Heavy
Amount of detergent: A: 25cm 3 B: 15 cm 3	B	A	A	A	A	A	A	A	A
Programme duration (h:min)	00:14	00:30	04:31	02:57	01:53	00:50	01:12 - 01:31	01:49 - 02:59	02:41
Electricity consumption (kWh/cycle)	0.340	0.650	0.747	0.950	1.600	1.000	0.650 - 0.850	1.250 - 1.900	1.750
Water consumption (l/cycle)	6.6	10.9	9.0	5.4	15.4	9.5	10.6 - 17.7	11.8 - 24.0	20.3

- The programme duration may change according to the amount of dishes, the water temperature, the ambient temperature and selected additional functions.
 - Values given for programmes other than the eco programme are indicative only.
 - Eco programme is suitable to clean normally soiled tableware, that for this use, it is the most efficient programme in terms of its combined energy and water consumption, and that it is used to assess compliance with the EU eco design legislation.
 - Washing tableware in a household dishwasher usually consumes less energy and water in the use phase than hand dishwashing when the household dishwasher is used according to the manufacturer's instructions.
 - Only use powder detergent for short programmes.
 - Short programmes do not include drying.
 - To assist drying, we recommend slightly opening the door after a cycle is complete.
 - You can access the product database where the model information is stored by reading the QR code on the energy label.
-  **NOTE:** According to regulations 1016/2010 and 1059/2010, Eco programme energy consumption values may differ. This table is in line with regulations 2019/2022 and 2017/2022

7 The Control Panel



- 1. On/Off Button
- 2. Programme Selection Button
- 2a. Programme Indicators
- 3. Delay Button
- 3a. Delay Indicator
- 4. Remaining Time Indicator
- 5. Start/Pause Button
- 6. Options Button
- 7. Select Button
- 8. Salt Indicator
- 9. Rinse-Aid Indicator
- 10. Tablet Indicator
- 11. Extra Hygiene Indicator
- 12. Half Load Indicators
- 13. Energy Save Indicator
- 14. Extra Fast Indicator
- 15. Extra Silent Indicator
- 16. Washing Step Indicators
- 16a. Washing Step Indicator
- 16b. Rinse Step Indicator
- 16c. Drying Step Indicator
- 16d. End Step Indicator

1. On/Off Button

Turn the machine on by pressing the On/Off button.

2. Programme Selection Button

Select a suitable programme by pressing the Programme button. The selected programme indicator (2a) will be on. For the details of the programmes refer to section Programme Table.

3. Delay Button

You can delay the start time of the programme for 1-2...24 hours by pressing the delay button (3) before the programme starts. The delay indicator (3a) will be on. If you want to change the delay time, first press the Start/Pause button and then the delay button to select a new delay time. To activate the new delay time, press the Start/Pause button. To cancel the delay, you need to switch to 0 hour by using the delay when the machine is paused.

4. Remaining Time Indicator

Programme flow can be monitored via the Wash, Rinse, Dry, End indicators and Remaining Time Indicator.

5. Start/Pause Button

Press the Start/Pause button to start the programme. The wash lamp turns on and the Remaining Time Indicator shows the programme duration. It also indicates the remaining time during the programme flow. If you open the door of your machine when the programme is running the duration of the programme pauses, and related washing step indicator blinks.

6. Options Button

Options can be selected by pressing the Options button repeatedly. The chosen option will be indicated by a blinking LED.

7. Select Button

Select the option by pressing the Select button. The LED for the chosen option will then remain lit.

8. Salt Indicator

When there is insufficient softening salt, the salt lack warning indicator turns on and you should fill up the salt chamber.

9. Rinse-Aid Indicator

When the rinse-aid level is low, the rinse-aid lack warning indicator turns on and you should fill the rinse-aid chamber.

10. Tablet Indicator

Select the Tablet Detergent function when using a combined detergent that contains salt, rinse-aid or other extras. The Tablet Detergent Indicator will remain on for as long as it is selected. When the machine is on, tablet option will be selected for all programs except Eco program.

11. Extra Hygiene Indicator

Select the Extra Hygiene function to increase the wash temperature, for a maximum hygiene washing operation. The Extra Hygiene Indicator will illuminate.

12. Half Load Indicator

Select the Half Load function to choose which area of the dishwasher contains dishes to be washed. You can select both baskets, the upper basket only, or the lower basket only. Press the button until the indicator corresponding to the basket containing the dishes to be washed illuminates. The Half Load Indicator will illuminate while this function is in operation. Dishes placed in other areas will not be washed.

13. Energy Save Indicator

Select the Energy Save option to enable the door of the machine to open at the end of the programme to increase drying efficiency. This function also saves energy by operating at a lower temperature.

14. Extra Fast Indicator

Select the Extra Fast function to decrease the duration of a programme, providing more economical water usage. The Extra Fast Indicator will illuminate.

15. Extra Silent Indicator

Select the Extra Silent function for a more sensitive and silent washing operation. The Extra Silent Indicator will illuminate. This option reduces the sound and pressure level of the washing.

16. Washing Step Indicators

The display will show the indicator corresponding to the status of the programme in operation. While the Drying indicator is on, the machine will remain silent with respect to the programme you have selected for 15 to 100 minutes.

- Wash
- Rinse
- Dry
- End

NOTE: Child lock is activated/deactivated by pressing select button (7) for about 3 seconds. When it is activated, all leds blink and "CL" is shown on Remaining Time Indicator (4) once. When it is deactivated, all leds and "CL" blink twice.

NOTE: If you switch the machine to off position after selecting the delay time and the programme has started, the delayed time is cancelled.

NOTE: To save any program as favourite programme, press program selection (2) and delay (3) buttons at the same time. To select favourite program, press program selection button (2) for 3 seconds.

7.1 Selecting a programme

Turn the machine on using the On/Off button.



Select a programme using the Programme Selection button. Press repeatedly until the desired programme is illuminated.



If desired select an appropriate programme option.



Press the Start/Pause button to begin cycle.



7.2 Changing a programme

If you would like to change the programme when the machine is already running.

Press the Start/Pause button.



After the programme stops, select your desired programme via the programme selection button.



Start newly selected programme by pressing the Start/Pause button. The new programme will resume the course of the old programme.



7.3 Cancelling a programme

If you would like to cancel a programme when it is running.

Press the Start/Pause button for 3 seconds. During cancellation, the End light blinks.



The machine discharges the water inside it in about 30 seconds.

When the End light turns on, switch your machine off by pressing the On/Off button.



7.4 Switching the Machine Off

Switch your machine off with On/Off button after the programme has ended and the End light turns on. Pull the plug out of the outlet. Turn of the water tap.



- NOTE: Do not open the door before the programme ends.
- NOTE: At the end of washing programme, you can leave the door of your machine ajar to hasten the drying.
- NOTE: If the door of machine is opened or power is cut off during washing the programme will continue when the door is closed or the power is restored.

Buzzer Sound Control

To change the buzzer sound level, follow the below steps:

1. Open the door and press Half Load (6) and Energy Save (5) buttons at the same time for 3 seconds.
2. When sound setting is recognized, buzzer gives a long sound and machine will display last set level, from "SO" to "S3".
3. To decrease sound level press Energy Save button (5). To increase sound level, press Half Load button (6).
4. To save the selected sound level, turn off the machine. "SO" level means all sounds are off. Factory setting is "S3".

Save Power Mode

To activate or deactivate save power mode, follow the below steps:

1. Open the door and press Program (2) and Half Load (6) buttons at the same time for 3 seconds.
2. After 3 seconds, the machine will display last Setting, "IL1" or "ILO".
3. When Save Power Mode is activated, "IL 1" will be displayed. On this mode, interior lights (if available) will turn off 2 minutes after the door is opened, and the machine will turn off automatically 15 minutes after any intervention in order to save energy.
4. When Save Power Mode is deactivated "ILO" will be displayed. If Save Power Mode is deactivated, interior lights will be on as long as the door is open, and the machine will always be on unless it is turned off by user.
5. To save the selected setting, turn off the machine.

In factory setting, Save Power Mode is active.

8 Cleaning and Maintenance

Cleaning your dishwasher is important to maintain the machine's service life. Make sure that the water softening setting is done correctly and correct amount of detergent is used to prevent limescale accumulation. Refill the salt compartment when the salt sensor light comes on. Oil and limescale may build up in your Dishwasher over time. If this occurs:

Fill the detergent compartment but do not load any dishes.

Select a programme which runs at high temperature and run the Dishwasher empty.

If this does not clean your Dishwasher sufficiently, use a cleaning agent designed for use with dishwashers.

To extend the life of your dishwasher, clean the appliance regularly, preferably each month.

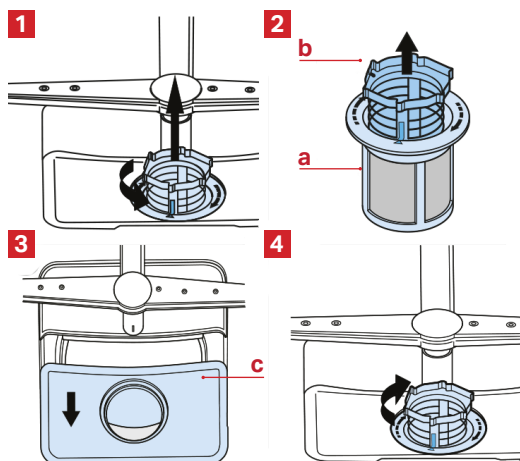
Wipe the door seals regularly with a damp cloth to remove any accumulated residue or foreign objects.

8.1 Filters

Clean the filters and spray arms at least once a week. If any food waste remains or foreign objects on the coarse and fine filters, remove them and clean them thoroughly with water.

- a) Micro Filter
- b) Coarse Filter
- c) Metal Filter

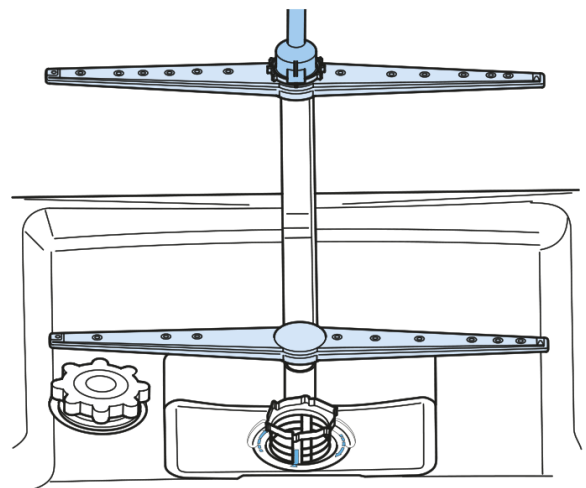
- To remove and clean the filter combination, turn it counter clockwise and remove it by lifting it upwards (1).
- Pull the coarse filter out of the micro filter (2).
- Then pull and remove the metal filter (3).
- Rinse the filter with lots of water until it is free of residue. Reassemble the filters. Replace the filter insert, and rotate it clockwise (4).



- Never use your dishwasher without a filter.
- Incorrect fitting of the filter will reduce the washing effectiveness.
- Clean filters are necessary for proper running of the machine.

8.2 Spray Arms

- Make sure that the spray holes are not clogged and that no food waste or foreign objects are stuck to the spray arms.
- If there is any clogging, remove the spray arms and clean them under water.
- To remove the upper spray arm, undo the nut holding it in position by turning it clockwise and pulling it downwards.
- Make sure that the nut is properly tightened when refitting the upper spray arm.
- To remove the lower spray arm pull the arm upwards from the centre.



8.3 Drain Pump

Large food residues or foreign objects which were not captured by the filters may block the waste water pump. The rinsing water will then be above the filter.

⚠ Warning Risk of cuts!

When cleaning the waste water pump, ensure that you do not injure yourself on pieces of broken glass or pointed implements.

In this case:

1. First always disconnect the appliance from the power supply.
2. Take out the baskets.
3. Remove the filters.
4. Scoop out water, use a sponge if required.
5. Check the area and remove any foreign objects.
6. Install filters.
7. Re-insert baskets.

9 Troubleshooting

Fault	Possible Cause	Troubleshooting
The programme does not start	Your Dishwasher is not plugged in	Plug your Dishwasher in
	Your Dishwasher is not switched on	Switch your Dishwasher on by pressing the On/Off button
	Fuse blown	Check your indoor fuses
	Water inlet tap is closed	Turn on the water inlet tap
	Your Dishwasher door is open	Close the Dishwasher door
	Water inlet hose and machine filters are clogged	Check the water inlet hose and machine filters and make sure they are not clogged
Water remains inside the machine	Water drain hose is clogged or twisted	Check the drain hose, then either clean or untwist it
	The filters are clogged	Clean the filters
	The programme is not finished yet	Wait until the programme is finished
Machine stops during washing	Power failure	Check mains power
	Water inlet failure	Check water tap
Shaking and hitting noises are heard during a wash operation	The spray arm is hitting the dishes in the lower basket	Move or remove items blocking the spray arm
Partial food wastes remain on the dishes	Dishes placed incorrectly, sprayed water not reaching affected dishes	Do not overload baskets
	Dishes leaning against each other	Place dishes as instructed in the section on loading your dishwasher
	Not enough detergent used	Use the correct amount of detergent, as instructed in the programme table
	Wrong wash programme selected	Use the information in the programme table to select the most appropriate programme
	Spray arms clogged with food waste	Clean the holes in the spray arms with thin objects
	Filters or water drain pump clogged or filter misplaced	Check the drain hose and filters are correctly fitted
Whitish stains remain on dishes	Not enough detergent used	Use the correct amount of detergent, as instructed in the programme table
	Rinse-aid dosage and/or water softener setting set too low	Increase rinse-aid and/or water softener level
	High water hardness level	Increase water softener level and add salt
	Salt compartment cap not closed properly	Check the salt compartment cap is closed properly
Dishes do not dry	Drying option is not selected	Select a programme with a drying option
	Rinse-aid dosage set too low	Increase rinse-aid dosage setting
Rust stains form on the dishes	Stainless-steel quality of the dishes is insufficient	Use only dishwasher-proof sets
	High level of salt in wash water	Adjust the water hardness level using water hardness table
	Salt compartment cap not closed properly	Check that the salt compartment cap is closed properly
	Too much salt spilled in the Dishwasher while filling it with salt	Use funnel while filling salt to the compartment to avoid spillage
	A poor mains grounding	Consult a qualified electrician immediately
Detergent remains in the detergent compartment	Detergent was added when the detergent compartment was wet	Make sure detergent compartment is dry before use

Automatic Fault Warnings and What to Do

Trouble Code	Possible Fault	What to Do
FF	Water inlet system failure	Make sure the water inlet tap is open and water is flowing
		Separate the inlet hose from the tap and clean the filter of the hose
		Contact for service if the error continues
F5	Pressure system failure	Contact for service
F3	Continuous water input	Close the tap and contact for service
F2	Inability to discharge water	Water discharge hose and filters may be clogged
		Cancel the programme
		If the error continues, contact for service
F8	Heater error	Contact for service
F1	Overflow	Unplug the machine and close the tap
		Contact for service
F7	Overheating	Contact for service
F6	Faulty heater sensor	Contact for service
HI	High voltage failure	Contact for service
LO	Low voltage failure	Contact for service

The installation and repairing procedures should always be carried out by the Authorised Service Agent in order to avoid possible risks. The manufacturer shall not be held liable for damages that may arise from procedures carried out by unauthorised persons. Repairs may be carried out by technicians only. If a component has to be replaced, ensure that only original spare parts are used.

Improper repairs or use of non-original spare parts may cause considerable damage and put the user at considerable risk.

Contact information for your customer service can be found on the back of this document. Function-relevant genuine spare parts according to the corresponding

Ecodesign order can be obtained from Customer Service for a period of at least 10 years from the date on which your appliance was placed on the market within the European Economic Area.

10 Product Fiche

Montpellier

2 YEAR
PARTS & LABOUR
GUARANTEE

Product Information Sheet

Commission delegated regulation (EU) 2019/2017 with regard to energy labelling of household dishwashers

Montpellier Domestic Appliances Ltd. Unit 1, Tewkesbury Retail Park, Northway Lane, Tewkesbury, Gloucestershire. GL20 8JU

Model Identifier: MDWC1496W				
General Product Parameters				
Parameter	Value	Parameter	Value	
Rated capacity ^(a) (ps)	14	Dimensions in cm	Height	85
			Width	60
			Depth	60
EEI ^(a)	43,9	Energy efficiency class ^(a)	C	
Cleaning performance index ^(a)	1,130	Drying performance index ^(a)	1,070	
Energy consumption in kWh [per cycle], based on the eco programme using cold water fill. Actual energy consumption will depend on how the appliance is used.	0,747	Water consumption in litres [per cycle], based on the eco programme. Actual water consumption will depend on how the appliance is used and on the hardness of the water.	9,0	
Programme duration ^(a) (h:min)	4:31	Type	Free-standing	
Airborne acoustical noise emissions ^(a) (dB(A) re 1 pW)	44	Airborne acoustical noise emission class ^(a)	B	
Off-mode (W) (if applicable)	0,50	Standby mode (W) (if applicable)	-	
Delay start (W) (if applicable)	4,00	Networked standby (W) (if applicable)	-	
Minimum duration of the guarantee offered by the supplier: 24 months				
Additional information:				
Weblink to the supplier's website, where the information in point 6 of Annex II to Commission Regulation (EU) 2019/2022 is found: http://www.montpellier-appliances.com				

^(a) for the eco programme.

11 Here For You

11.1 After-sales assistance

If you continue to experience problems with your appliance, please call the Montpellier customer service helpline on: **03333 234 473**

Please have all your product details available, including the model number, serial number, original sales invoice (clearly showing model number, date of purchase and your retailer's details) before registering a fault.

The service call cannot progress without this information.

Your 2 year Manufacturer's guarantee

THIS DOES NOT AFFECT YOUR STATUTORY RIGHTS.

Your new Montpellier appliance carries a free guarantee which protects you against the cost of repairs during the first 24 months from date of purchase provided that:

Any claim is accompanied by evidence of the model reference, model serial number and proof of purchase, such as a Sales Receipt, showing that the appliance was purchased within the 24 months prior to the date of claim.

What is not covered under the Guarantee

- Any appliance not correctly installed and operated in accordance with the manufacturer's instructions
- Any appliance that is used for anything other than domestic purposes.
- Any defect caused by accident, misuse, unauthorised modification or inexpert repair.
- Cost of Call-out where a fault cannot be found with the appliance. Cost of Call-out for work covering routine maintenance, such as, but not exclusively, cleaning of filters or defrosting.
- Cost of Call-out for work required to correct the alignment of doors following door reversal procedures carried out by you. Use of the appliance by anyone other than the Householder. Use in any commercial environment.
- Consumable items, such as, but not exclusively, fuses in plugs, bulbs and breakable items which require routine replacement. Repair costs incurred that have not been authorised by Montpellier service and/or carried out by a non-approved Montpellier engineer.

- Montpellier Appliances do not accept claims for consequential loss, rusting, corroding, delivery damage or scratches.

YOUR GUARANTEE IS VALID ONLY IN THE UK & THE REPUBLIC OF IRELAND

To register your appliance simply complete the card in your appliance pack and return it with a stamp affixed or alternatively you can register online at:

montpellier-appliances.com/support

...or by phone, call our warranty registration department on **03333 234 473**

SERVICE HELP - LINE

Should your appliance develop a fault, please call the Montpellier customer service helpline on:

03333 234 473

Please remember to have all your product details available, including the model number, serial number, date of purchase and your retailer's details before registering a fault.

Montpellier Domestic Appliances Ltd.

Unit 1, Tewkesbury Retail Park, Northway Lane,
Tewkesbury, Gloucestershire GL20 8UY

www.montpellier-appliances.com



The symbol on the product or on its packaging indicates that this product may not be treated as household waste. Instead it shall be handed over to the applicable collection point for the recycling of electrical and electronic equipment. By ensuring this product is disposed of correctly, you will help prevent potential negative consequences for the environment and human health, which could otherwise be caused by inappropriate waste handling of this product. For more detailed information about recycling of this product, please contact your local city office, your household waste disposal service or the shop where you purchased the product.