

Montpellier

DOMESTIC APPLIANCES

LAUNDRY DISHWASHING COOKING COOLING

Installation & Operating Instructions



Spin Dryer in White
MDASD2800S

Please read these instructions carefully before attempting to install or use this appliance.
We recommend that you keep these instructions in a safe place for future reference.

Welcome

Thank you for choosing this Montpellier appliance.

Your appliance has been designed to provide you with the best combination of style, reliability and performance, to give you years of trouble-free use.

You may be familiar with a similar product, but please take the time to read these instructions carefully before installing or using your appliance to ensure that you get the most from your purchase and keep the manual for future reference.

The design and specifications are subject to change without prior notice for product development.

Your appliance is covered by a comprehensive two year Parts & Labour Guarantee. In the unlikely event that you experience a problem with your appliance, you can rest assured that you are fully protected against the cost of repairs for the first 24 months. Please note that any claim must be accompanied by the model reference number, serial number and proof of purchase.

To activate your guarantee, you will need your product serial number. This can be found inside your appliance.

NB: Please make sure that you keep a copy of your original sales invoice as this will be needed if any service call is required.

There are three ways to register your Guarantee:

Online: Visit the Support page on our website and complete the online Product Registration form.

www.montpellier-appliances.com

By Post: Simply detach and fill in the form provided, attach a stamp and send it in the post. Don't forget to include your e-mail address so that we can send confirmation through to you.

By Phone: Contact our warranty registration department on **08081 961 388**





Montpellier

montpellier-appliances.com

2 YEAR GUARANTEE

PARTS & LABOUR

ACROSS ALL OUR MODELS

Icon	Type	Meaning
	Warning	May Cause Serious Injury
	Risk of Electric Shock	Dangerous Voltage Risk
	Fire	Warning, Risk of Fire/Flammable Materials
	Caution	Risk of Damage/ Important Information

Contents

Your Product	4
Points of Safety	5
Electrical Information	6
Operating Instructions	8
Specification	11
Here for you	12

DEAR CUSTOMER:

Thank you for buying this product. To ensure that you get the best results from this appliance, please take time to read through the simple instructions in this booklet. Please ensure that the packing material is disposed of in accordance with the current environmental requirements. When disposing of any old appliances please contact your local waste disposal department for advice on safe disposal. This appliance must only be used for its intended purpose.

Your Product

1 = Stainless steel drum

2 = Timer

3 = Top lid

10 = Water collection pot

4 = Inner door

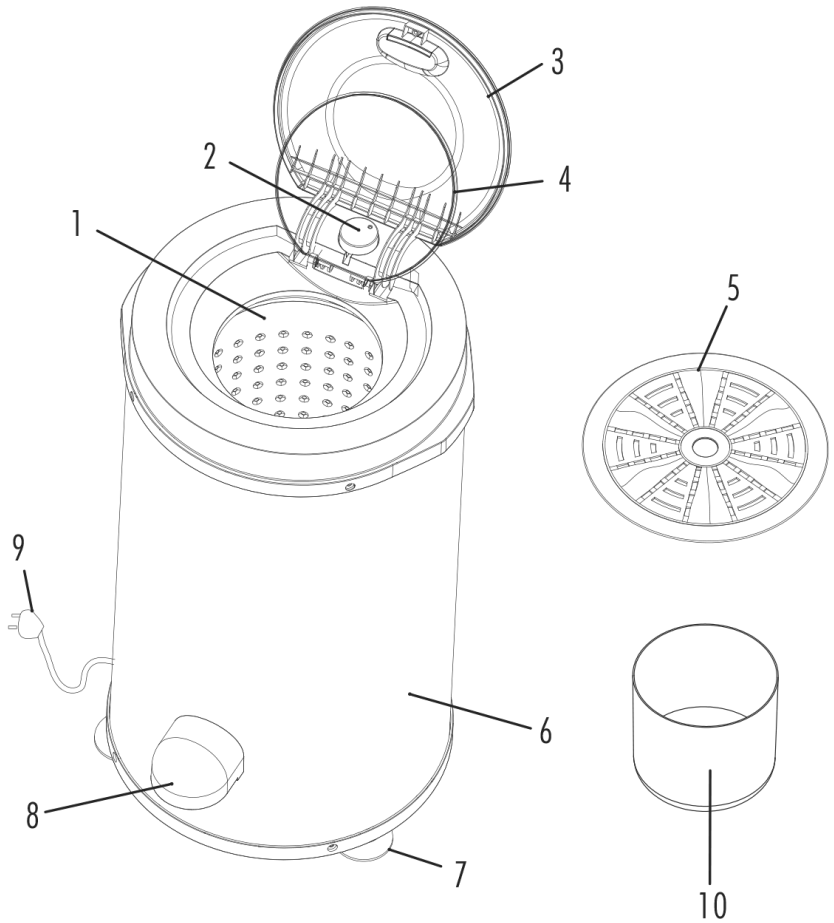
5 = Spin press plate

6 = Outer drum

7 = Foot pad

8 = Water outlet

9 = Power cord



Points of Safety

Please read through the information contained in this instruction booklet carefully. It gives important advice on the safety, assembly, use and maintenance of the Spin Dryer. Retain the instruction booklet in a safe place for future reference and, if applicable, pass it on to the subsequent owner of the appliance. The manufacturer will not be liable if the instructions specified below are not observed. Do not put the Spin Dryer to improper use, i.e. do not use the appliance other than for the purposes it is meant for. It is intended for household use and for spinning items of laundry only.

- This appliance can be used by children from 8 years of age, as well as by persons with impaired physical, sensory or mental capacities, or lack of experience and/or knowledge, as long as they are supervised or have been instructed on using the appliance safely and are aware of the dangers involved. Do not allow children to play with the appliance. Cleaning and user maintenance should not be performed by children without supervision.
- Before connecting the appliance, check that the details given on the rating plate correspond to the requirements of your electrical installation.

Do not operate the appliance if:

- the mains cable is damaged;
- the appliance shows clear signs of damage.
- Check the appliance for any damage which may have occurred during transport.
- Dispose of the packing in accordance with local regulations.
- Remove the transport locking pads from inside the drum.
- The spin dryer is intended for use by adults only.
- Ensure that children do not play around with the appliance.
- Modifications to the appliance can endanger your safety and health. Therefore, repairs to the appliance should be carried out by an authorised engineer only.
- Never operate the appliance in rooms where inflammable materials are stored or where gases have formed.
- Never unplug the appliance by pulling on the cable, but only by removing the plug directly from the socket.
- Ensure that the mains cable is not exposed to heat or chemical substances, nor pulled across sharp edges or surfaces.
- If the mains cable becomes damaged, have it replaced immediately by an authorised repair shop.
- Do not touch or use the appliance with wet hands or when barefoot and standing on a wet floor.
- Do not expose the appliance to atmospheric effects, such as sun, rain, etc.
- **NEVER** add water to the drum, e.g. for "rinsing".

The basic safety regulations must be strictly observed. In case of doubt, have a qualified engineer inspect the electrical installation of your house. Electrical safety is only ensured when the appliance has been properly earthed, as described under the safety regulations for electrical connections.

If the mains socket does not comply with the plug, the socket should be replaced with a suitable one.

- Never spin items of laundry which have been cleaned, washed, impregnated or sprayed with wax, paint, petrol or inflammable liquids. The vapours can constitute a fire hazard or cause an explosion. Always wash materials containing these substances by hand first and let them dry outside in fresh air.
- Do not use the appliance as a footboard or load heavy items onto it.
- Do not reach into the drum while it is spinning.
- Do not store the spin dryer directly next to a hot stove or heater.
- In general, we recommend avoiding the use of multiple plug sockets, extension cables and adapters.

Pull out the plug:

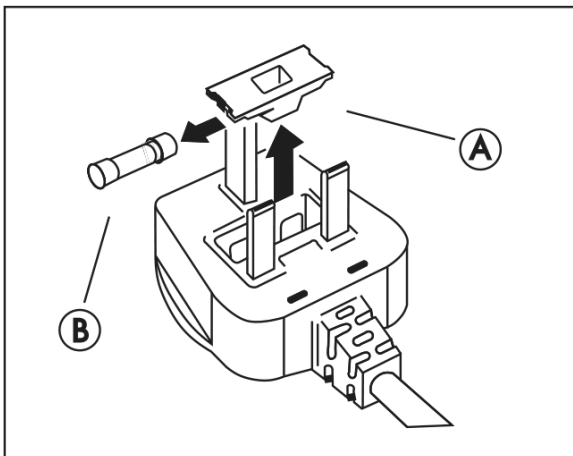
- if the appliance malfunctions during operation;
- before cleaning and maintenance;
- after use.
- Operate the spin dryer only in an upright position on an even floor and maintain a distance of about 50 cm from the wall or other objects (Fig. B, Page 5).
- During operation, do not lift, carry, hold, move or tip over the appliance.
- Never handle the operating lever and lid with force.
- Lift or carry the appliance by the carrying handles only.
- Before disposal of the spin dryer, cut off the mains cable. Ensure that the appliance is disposed of carefully and properly.

Electrical Information

WARNING:

THIS APPLIANCE MUST BE EARTHED

The mains lead of this appliance is fitted with a BS 1363A 13 amp fused plug. To change a fuse in this type of plug, use an A.S.T.A. approved fuse to BS 1362 type.



Remove the fuse cover (A) and fuse (B).

Fit a replacement 13A fuse into the fuse cover.

Refit both into the plug.

IMPORTANT:

The fuse cover must be refitted when changing a fuse. If the fuse cover is lost, the plug must not be used until a correct replacement is fitted. Correct replacements are identified by the colour insert or the colour embossed in words on the base of the plug. Replacement fuse covers are available from your local Electricity Board shop.

How to Connect an Alternative Plug

If the fitted plug is not suitable for your socket outlet, it should be cut off and disposed of to avoid a possible shock hazard should it be inserted into a 13A socket elsewhere. A suitable alternative plug of at least 13 Amp rating (e.g. 15 Amp round pin to BS 546) should then be fitted to the cable.

The wires in this mains lead are coloured in accordance with the following code:

BLUE – "NEUTRAL" ("N")

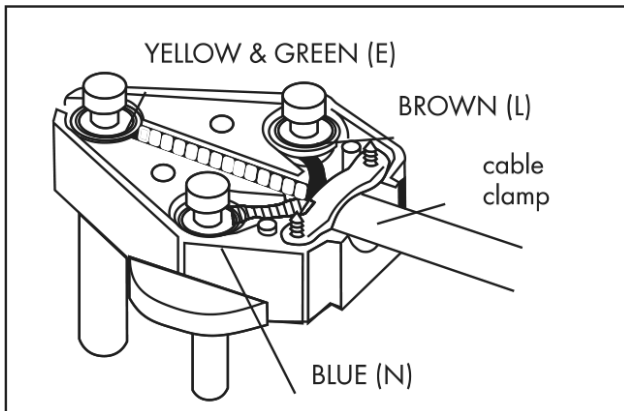
BROWN – "LIVE" ("L")

GREEN AND YELLOW – "EARTH" ("E")

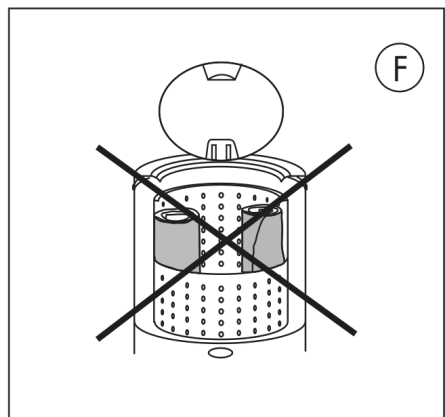
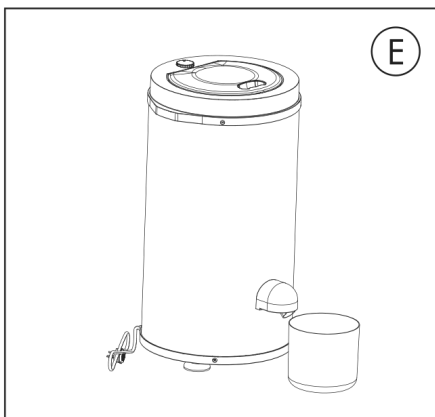
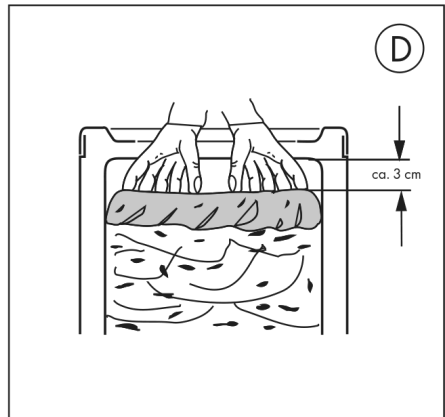
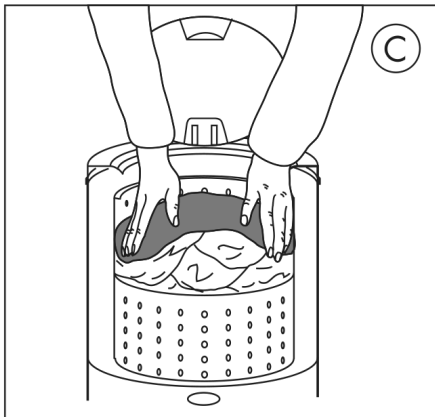
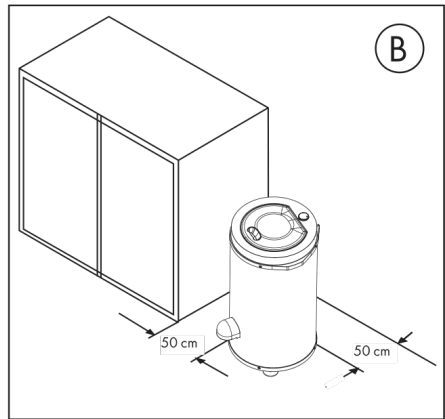
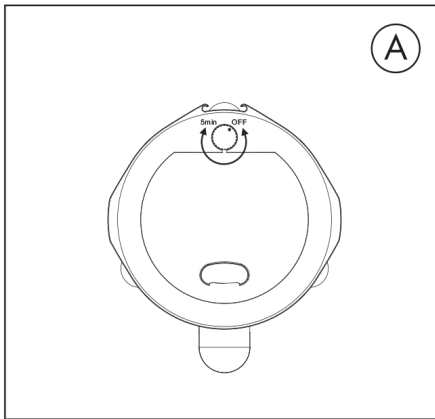
The GREEN AND YELLOW wire must be connected to the terminal in the plug which is marked with the letter "E", by the Earth symbol \equiv , or coloured green or green and yellow.

The BLUE wire must be connected to the terminal which is marked with the letter "N" or coloured black.

The BROWN wire must be connected to the terminal which is marked with the letter "L" or coloured red.



Operating Instructions



We recommend that you read these instructions carefully in order to quickly become familiar with your new appliance.

A good appliance, when used properly, will serve you for many years.

Unpacking the appliance

Dispose of packing materials in accordance with local regulations.

Check the spin dryer for any transport damage, which must be reported to the forwarding agent or goods office responsible within 24 hours. In case of damage, kindly send all relevant paperwork to the Customer Service for further processing.

Preparation for use

Put the knob switch in the "OFF" (O) position. (A)

Open the lid.

Remove the transport safeguard from inside the spin drum.

We recommend that the spin drum be washed out with a standard detergent before using for the first time.

Place the spin dryer on a level floor at a distance of about 50 cm away from the wall or other objects. Never balance out irregularities in the floor surface by placing wood, paper or similar materials under the appliance. (B)

Loading the machine

Place a sufficiently large container for excess water under the outlet spout.

Plug the appliance into a mains socket (please observe the Points of Safety).

Place each article of laundry singly into the spin drum. Distribute the washing evenly in the drum and press down firmly to avoid leaving empty spaces (this helps prevent excessive vibration during operation). (C)

The maximum dry weight capacity and electrical ratings can be found on the rating plate or obtained from your dealer.

Do not place rolled-up items of clothing (e.g. jeans) in the spin dryer. (F)

Press the loaded washing down so that there is a gap of at least 3 cm between the washing and the top edge of the drum. Lastly, cover the washing with a cloth, with the ends tucked well inside the drum to prevent items being ejected during operation. (D)

Close the lid.

Switch on the appliance

Turn the knob switch to the right as far as it will go to the "5 min" position. (A)

The spin dryer is now in operation and water flows out of the outlet spout.

Spin drying times

For normal washing: 3–5 minutes.

The residual moisture amounts to approximately:

- 65% in machines with a spin speed of 1400 rpm
- 40% in machines with a spin speed of 2800 rpm

For washing which requires no ironing:

15–30 seconds maximum

Switch off the appliance

When water ceases to flow out of the outlet spout, or when the spin process is to be terminated, turn the operating lever back to the left to the "OFF" (O) position.

When the drum has come to a standstill, open the lid. A special safety device prevents the lid from being opened before the drum has stopped spinning.

Never force the lid open.

Remove the laundry from the drum. (E)

Gently tilt the spin dryer forward so that any remaining water can flow out of the outlet spout.

Pull out the plug.

Maintenance and care

Always pull out the plug before cleaning the appliance.

After use, wipe the spin drum dry with a cloth.

If dirty washing has been spun, rinse the drum with clean water to avoid soiling the next load.

Clean the exterior of the spin dryer with a damp cloth and wipe it dry.

Use standard detergents only to clean the appliance.

Do not use abrasive cleaning agents.

Never use petrol or other solvent liquids.

The spin dryer requires no additional maintenance.

If unexpected difficulties arise:

Before contacting your dealer, check whether the fault is due to one of the following minor causes.

The motor does not function

Has the fuse blown?

Is there damage to the mains cable, plug or socket? Pull out the plug before checking.

Never open the motor yourself.

Water does not flow out

Pull out the plug. Check whether the outlet spout is blocked by a piece of washing.

Press the spin drum from the inside against the outer casing and remove the obstruction.

The spin dryer does not reach spin speed

The spin dryer normally compensates for a certain amount of unbalance when accelerating. The motor and spin drum are flexibly mounted for this reason.

However, if the unbalance is too great (caused by incorrect loading), the machine cannot reach spin speed.

The spin dryer “jumps”

Switch off the spin dryer immediately.

When the drum has come to a standstill, redistribute the washing evenly.

Reload the spin dryer in accordance with the instructions above.

Specification

Technical parameter	Model number	MDASD2800SS
Nmae		
Product dimension		370mm*420mm*650mm
Packaging dimension		420mm*420mm*700mm
Product weight		12kg
Power of spin drying		260W
Rated voltage		220-240V
Rated frequency		50/60Hz
Rated spin drying capacity		4.0kg
Spin drying speed		2800r/min
Open mode		Top opening type
Control mode		Mechanical (1-5 minute timer)
Drainage mode		Automatic drum external drainage
Outer drum material		Galvanized
Inner drum material		Stainless steel

Here For You

Here For You

After-sales assistance

If you continue to experience problems with your appliance, please call the Montpellier customer service helpline on: 03333 234473 opt 3

Please have all your product details available, including the model number, serial number, original sales invoice (clearly showing model number, date of purchase and your retailer's details) before registering a fault.

The service call cannot progress without this information.

Your 2 year Manufacturer's guarantee

THIS DOES NOT AFFECT YOUR STATUTORY RIGHTS.

Your new Montpellier appliance carries a free guarantee which protects you against the cost of repairs during the first 24 months from date of purchase provided that:

Any claim is accompanied by evidence of the model reference, model serial number and proof of purchase, such as a Sales Receipt, showing that the appliance was purchased within the 24 months prior to the date of claim.

What is not covered under the Guarantee

- Any appliance not correctly installed and operated in accordance with the manufacturer's instructions
- Any appliance that is used for anything other than domestic purposes.
- Any defect caused by accident, misuse, unauthorised modification or inexpert repair.
- Cost of Call-out where a fault cannot be found with the appliance. Cost of Call-out for work covering routine maintenance, such as, but not exclusively, cleaning of filters or defrosting.

- Cost of Call-out for work required to correct the alignment of doors following door reversal procedures carried out by you. Use of the appliance by anyone other than the Householder. Use in any commercial environment.
- Consumable items, such as, but not exclusively, fuses in plugs, bulbs and breakable items which require routine replacement. Repair costs incurred that have not been authorised by Montpellier service and/or carried out by a non-approved Montpellier engineer.
- Montpellier Appliances do not accept claims for consequential loss, rusting, corroding, delivery damage or scratches.

YOUR GUARANTEE IS VALID ONLY IN THE UK & THE REPUBLIC OF IRELAND

To register your appliance simply complete the card in your appliance pack and return it with a stamp affixed or alternatively you can register online at:

montpellier-appliances.com/support

...or by phone, call our warranty registration department on **08081 961 388**

SERVICE HELP -LINE

Should your appliance develop a fault, please call the Montpellier customer service helpline on:

03333 234473 opt 3

Please remember to have all your product details available, including the model number, serial number, date of purchase and your retailer's details before registering a fault.

Montpellier Domestic Appliances Ltd.

Unit 1, Tewkesbury Retail Park, Northway Lane,
Tewkesbury, Gloucestershire GL20 8UY

www.montpellier-appliances.com



The symbol on the product or on its packaging indicates that this product may not be treated as household waste. Instead it shall be handed over to the applicable collection point for the recycling of electrical and electronic equipment. By ensuring this product is disposed of correctly, you will help prevent potential negative consequences for the environment and human health, which could otherwise be caused by inappropriate waste handling of this product. For more detailed information about recycling of this product, please contact your local city office, your household waste disposal service or the shop where you purchased the product.