

## Series 4, Built-in double oven MBA533BS3B



## The built-in double oven with 3D hot air: achieve perfect baking and roasting results on multiple levels simultaneously.

- **3D Hotair:** even heat distribution for perfect results on up to three levels.
- **EcoClean Direct:** less cleaning effort thanks to a special coating which covers the rear wall of the lower oven.
- **Red LED display:** easy-to-see display thanks to the red LED.
- **Pop-out controls:** Make the front of the oven easy to clean and give it a sleek look.

### Technical Data

Built-in / Free-standing: ..... Built-in  
 Integrated Cleaning system: ..... No  
 Dimensions: ..... 888x594x550 mm  
 Dimensions of the packed product (HxWxD): .....960x660x690 mm  
 Control Panel Material: ..... Stainless steel  
 Door Material: ..... Glass  
 Net weight: .....49.2 kg  
 Usable volume of cavity: ..... 71 l  
 Cooking method: Full width grill, Hotair gentle, Hot Air, Conventional heat, Hot air grilling  
 EAN code: .....4242005465828  
 Energy efficiency rating: .....A  
 Energy consumption per cycle conventional (2010/30/EC): ..... 1.02 kWh/cycle  
 Energy consumption per cycle forced air convection (2010/30/EC):81 kWh/cycle  
 Energy efficiency class (2010/30/EC) - cavity 2: ..... B  
 Energy consumption per cycle conventional - cavity 2 (2010/30/EC):83 kWh/cycle  
 Energy efficiency index (2010/30/EC): ..... 95.3 %  
 Energy efficiency index cavity 2 (2010/30/EC): ..... 120.3 %  
 Connection rating: ..... 5900 W  
 Fuse protection: .....32 A  
 Voltage: ..... 220-240 V  
 Frequency: ..... 50 Hz  
 Plug type: ..... no plug (electrical connection by electrician), fixed connection (electrical connection by electrician)  
 Included accessories: .....3 x combination grid, 1 x universal pan

### Included accessories

3 x combination grid, 1 x universal pan

### Optional accessories

HEZ32WA00 Wireless food thermometer  
 HEZ530000 Half tray  
 HEZ538000 1fold telescopic rail, level independent  
 HEZ629070 Air Fry & Grill tray  
 HEZ638000 Full ext rails, level independent



## Series 4, Built-in double oven MBA533BS3B

**The built-in double oven with 3D hot air:  
achieve perfect baking and roasting  
results on multiple levels simultaneously.**

### Features

#### Top oven additional features

- Oven with 3 heating methods: conventional top/bottom heat, Large-area grill, Small area grill
- Temperature range 50 °C - 275 °C
- Cavity volume: 34 litre capacity

#### Main oven additional features

- Oven with 5 heating methods: 3D Hotair, conventional top and bottom heat, Hotair grilling, full width variable grill, Hotair gentle
- Temperature range 50 °C - 275 °C
- Cavity volume: 71 litre capacity

#### Top oven

- Oven with 5 heating methods: 3D Hotair, conventional top and bottom heat, Hotair grilling, full width variable grill, Hotair gentle

#### Main oven

- 5 shelf positions
- Available as an additional accessory

#### Design

- Rotary dial, Retractable control dials, round With steel trim
- Cavity (inner surface) top: Enamel grey
- Cavity (inner surface) bottom: enamel anthracite
- Extra large capacity oven

#### Cleaning

##### Top oven

- Full glass inner door

##### Main oven

- EcoClean Direct : back panel
- Full glass inner door

#### Programmes/functions

- LED-Display Control (Red)
- Electronic clock timer
- Automatic start
- Heating-up indicator
- Interior halogen light
- Straight bar handle

#### Top oven

- Door hinge small cavity: Drop down oven door

#### Main oven

- Door hinge big cavity: Drop down door
- Fast pre-heating function
- Integral cooling fan

#### Accessories

- 3 x combination grid, 1 x universal pan
- Control panel lock

### Technical information

- Nominal voltage: 220 - 240 V
- Total connected load electric: 5.9 KW

#### Top oven

- Energy efficiency rating (acc. EU Nr. 65/2014): B(at a range of energy efficiency classes from A+++ to D)
- Energy consumption per cycle in conventional mode: 0.83 kWh
- Number of cavities: Top Cavity
- Heat source: electrical

#### Main oven

##### Main Oven

- Energy efficiency rating (acc. EU Nr. 65/2014): B(at a range of energy efficiency classes from A+++ to D)
- Energy consumption per cycle in conventional mode: 0.83 kWh
- Energy consumption per cycle in fan-forced convection mode: 0.81 kWh
- Number of cavities: Main Cavity
- Heat source: electrical

#### Performance/technical information

- Appliance dimension (hxwxh): 888 mm x 594 mm x 550 mm
- Niche dimension (hxwxh): 875 mm - 888 mm x 560 mm - 568 mm x 550 mm
- "For-details-on-installation-and-ventilation requirements – please refer to the installation manual prior to fitting."

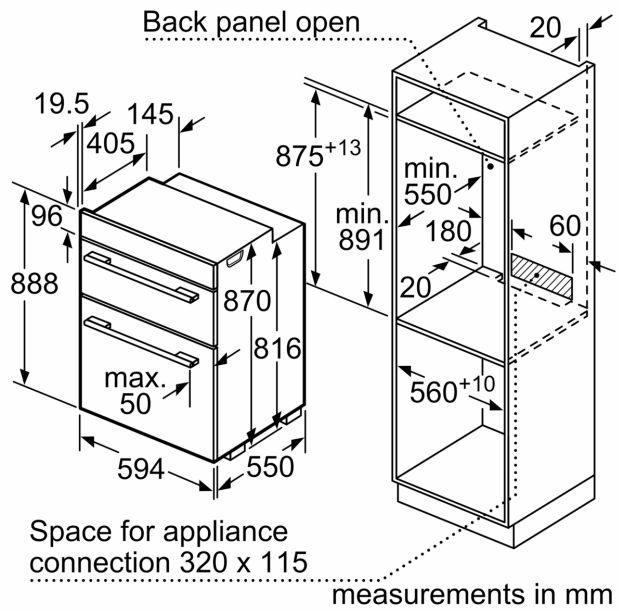
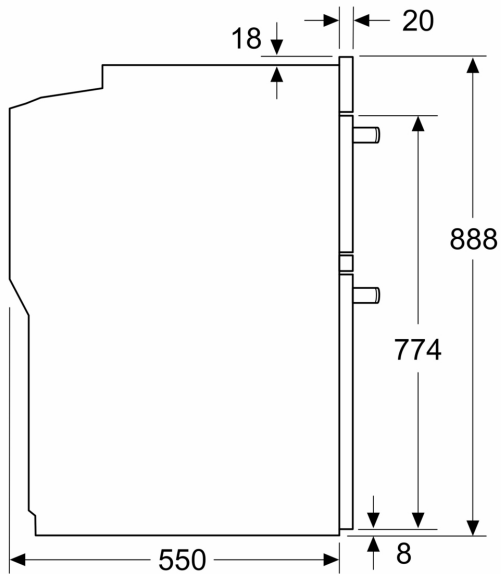
#### Level independent telescopic rails

#### Features

#### Top Oven

**Series 4, Built-in double oven**  
**MBA533BS3B**

measurements in mm



measurements in mm