

# Montpellier

DOMESTIC APPLIANCES

LAUNDRY DISHWASHING COOKING COOLING

## Installation & Operating Instructions



Buil-in Oven in White  
**M8MESO70SS**

Please read these instructions carefully before attempting to install or use this appliance.  
We recommend that you keep these instructions in a safe place for future reference.

# Welcome

Thank you for choosing this Montpellier appliance.

Your appliance has been designed to provide you with the best combination of style, reliability and performance, to give you years of trouble-free use.

You may be familiar with a similar product, but please take the time to read these instructions carefully before installing or using your appliance to ensure that you get the most from your purchase and keep the manual for future reference.

The design and specifications are subject to change without prior notice for product development.

Your appliance is covered by a comprehensive two year Parts & Labour Guarantee. In the unlikely event that you experience a problem with your appliance, you can rest assured that you are fully protected against the cost of repairs for the first 24 months. Please note that any claim must be accompanied by the model reference number, serial number and proof of purchase.

To activate your guarantee, you will need your product serial number. This can be found inside your appliance.

**NB:** Please make sure that you keep a copy of your original sales invoice as this will be needed if any service call is required.

**There are three ways to register your Guarantee:**

**Online:** Visit the Support page on our website and complete the online Product Registration form.

[www.montpellier-appliances.com](http://www.montpellier-appliances.com)

**By Post:** Simply detach and fill in the form provided, attach a stamp and send it in the post. Don't forget to include your e-mail address so that we can send confirmation through to you.

**By Phone:** Contact our warranty registration department on **08081 961 388**





# Montpellier

montpellier-appliances.com

# 2 YEAR GUARANTEE

**PARTS & LABOUR**

**ACROSS ALL OUR MODELS**

Icon	Type	Meaning
	Warning	May Cause Serious Injury
	Risk of Electric Shock	Dangerous Voltage Risk
	Fire	Warning, Risk of Fire/Flammable Materials
	Caution	Risk of Damage/ Important Information

# Contents

---

<b>Important Safety Instructions</b>	4
<b>Product Installation</b>	6
<b>Installation - Important Instructions</b>	8
<b>Product Introduction</b>	10
<b>Using the Accessories</b>	11
<b>Control Panel</b>	12
<b>Before First Use</b>	13
<b>Cleaning &amp; Maintenance</b>	14
<b>Product Recycling</b>	15
<b>Product Fiche</b>	
<b>After-sales assistance</b>	16

## **DEAR CUSTOMER:**

Thank you for buying this product. To ensure that you get the best results from this appliance, please take time to read through the simple instructions in this booklet. Please ensure that the packing material is disposed of in accordance with the current environmental requirements. When disposing of any old appliances please contact your local waste disposal department for advice on safe disposal. This appliance must only be used for its intended purpose.

# IMPORTANT SAFETY INSTRUCTIONS

These warnings are provided for your safety. Please read them carefully before installing or using the appliance.

To maintain the efficiency and safety of this appliance, we recommend:

- Contact only the service centres authorized by the store where you purchased the cooker.
  - Always use original spare parts.
1. When the oven is switched on for the first time, it may produce an unpleasant smell. This is caused by the bonding agents used in the insulation panels. Before cooking food for the first time, run the oven empty on the conventional cooking function at 250°C for 90 minutes to remove oil residues inside the cavity.
  2. During the first use, it is normal for slight smoke and odours to occur. Wait until the smell has completely disappeared before placing food in the oven.
  3. Use the appliance in a well-ventilated environment.
  4. The appliance and its accessible parts become very hot during operation. Avoid touching the heating elements. Children under 8 years of age must be kept away unless continuously supervised.
  5. If the surface becomes cracked, switch off the appliance immediately to avoid the risk of electric shock.
  6. This appliance may be used by children aged 8 years and above and by those with reduced physical, sensory, or mental capabilities, or lack of experience, provided they are supervised or instructed on the safe use of the appliance and understand the associated hazards. Children must not play with the appliance. Cleaning and user maintenance must not be carried out by children without supervision.
  7. Do not allow children near the oven while it is in use, especially when the grill is operating.
  8. Ensure the appliance is switched off before replacing the oven lamp to avoid electric shock.
  9. A means of disconnection must be incorporated into the fixed wiring in accordance with electrical installation regulations.
  10. Accessible parts may become hot during use; keep young children away.
  11. If the supply cord is damaged, it must be replaced by the manufacturer, its service provider, or a similarly qualified person to avoid hazards.
  12. Do not use harsh abrasive cleaners or sharp metal tools to clean the oven door glass, as they may scratch the surface and cause the glass to shatter.
  13. Only use the temperature probe recommended for this oven.
  14. Do not use a steam cleaner on this appliance.
  15. The appliance is not intended to be operated using an external timer or a separate remote control system.
  16. Ovens equipped with shelves must be installed according to the instructions provided.
  17. Do not use the oven barefoot. Avoid touching the oven with wet or damp hands or feet.

18. Do not open the oven door frequently during cooking.
19. The appliance must be installed by an authorized technician before put into use. The manufacturer is not responsible for any damage that might be caused by defective placement, and installation by unauthorized personnel.
20. When the door or drawer of the oven is open do not leave anything on it, or you may unbalance your appliance or break the door.
21. Some parts of the appliance may keep its heat for a long time; it is advised that you wait for it to cool down before touching the parts that are exposed to the heat directly.
22. If you don't use the appliance for a long time, it is advised that you switch it off at the plug.

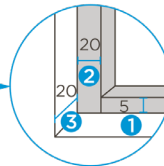
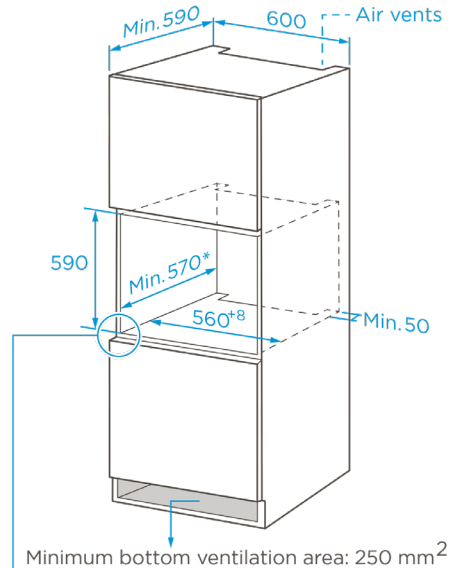
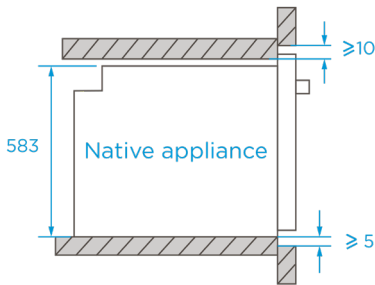
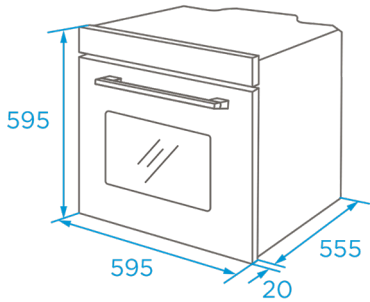
### **DECLARATION OF COMPLIANCE**

After unpacking the oven, check that it has not been damaged. If you have any doubts, do not use the appliance. Contact a qualified professional. Keep packing materials such as plastic bags, polystyrene, and nails out of the reach of children, as they can be dangerous.

## PRODUCT INSTALLATION

If there is any discrepancy between the illustrations and the actual product, please refer to the actual product.

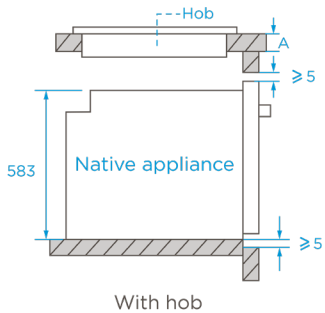
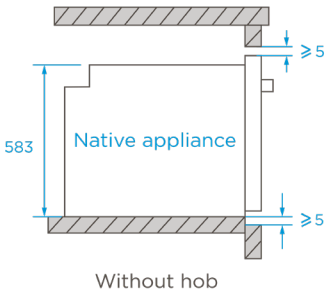
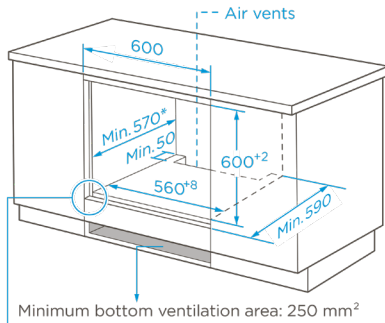
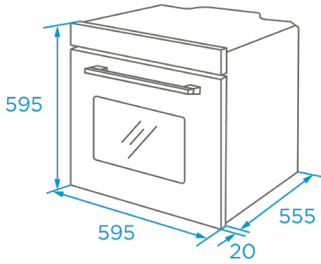
### Cupboard Diagram (Standing Cupboard):



1. Allow a 5 mm clearance for the door panel at both the top and bottom.
2. Allow a 20 mm clearance for the door panel on both the left and right sides.
3. Allow a 20 mm clearance for the thickness of the door panel.

1. The thickness of the cupboard board is 20 mm.
2. If the power socket is installed at the back of the appliance, the minimum cupboard opening depth must be increased from 590 mm to 620 mm.
3. All dimensions shown in the figures are in millimetres (mm).

**Cupboard Diagram (Ground Cupboard):**



1. Allow a 5 mm clearance for the door panel at both the top and bottom.
2. Allow a 20 mm clearance for the door panel on both the left and right sides.
3. Allow a 20 mm clearance for the thickness of the door panel.

If the appliance is installed beneath a hob, the minimum required thickness of worktop A is as shown below.

Hob type	Worktop A
Induction hob	37mm
Full-surface induction hob	47mm
Gas hob	30mm
Electric hob	27mm

1. The thickness of the cupboard board is 20 mm.
2. If the power socket is installed at the back of the appliance, the minimum cupboard opening depth must be increased from 590 mm to 620 mm.
3. All dimensions shown in the figures are in millimetres (mm).

## INSTALLATION – Important Instructions



### Content that means 'Mandatory'

1. The safe operation of this appliance is only guaranteed if it is installed to professional standards in accordance with these installation instructions. The installer is responsible for any damage resulting from incorrect installation.
2. The installation process must be carried out by two qualified installers. Wear dry protective gloves during installation to prevent scratches or electric shock.
3. Fitted units must be heat-resistant up to 90°C, and adjacent unit fronts up to 70°C.
4. A 13A socket must be used.



### Content that means 'Prohibited'

1. Do not install the appliance behind a decorative door or a kitchen unit door, as this may cause overheating.
2. Inspect the appliance for damage after unpacking. Do not connect the appliance if it has been damaged during transit.
3. Do not block the appliance vents or the gap between the cupboard and the appliance.
4. Use extreme caution when moving or installing the appliance. It is very heavy; do not lift the appliance by the door handle.
5. If the power cord or plug is damaged, stop using the appliance immediately to prevent fire, electric shock, or other injuries.

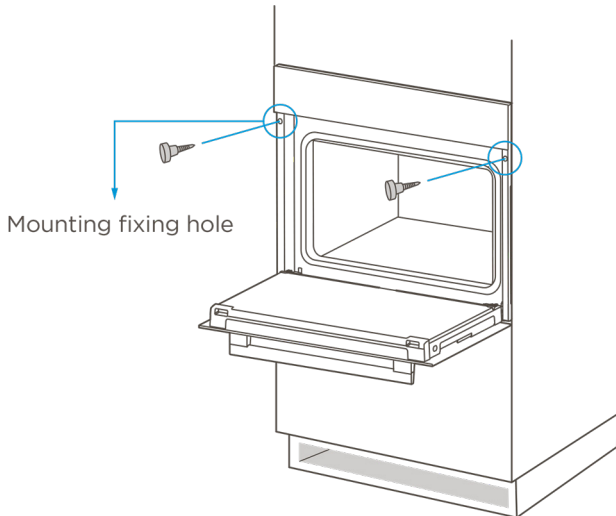


### Content that means 'Take Note'

1. Take great care when moving or installing the appliance to avoid damage to the appliance or the cupboards.
2. Before using the appliance, remove all packaging materials and accessories from the cavity.
3. The power socket must be accessible to the user (e.g., next to the cupboard) for easy disconnection.
4. After installation, ensure that the power plug is securely inserted into the socket.
5. Refer to the "Cupboard Diagram" for the required net depth of the cupboard. The clearance between the cupboard bottom panel and the rear panel (or wall) must be at least 50 mm.

## Installation Steps

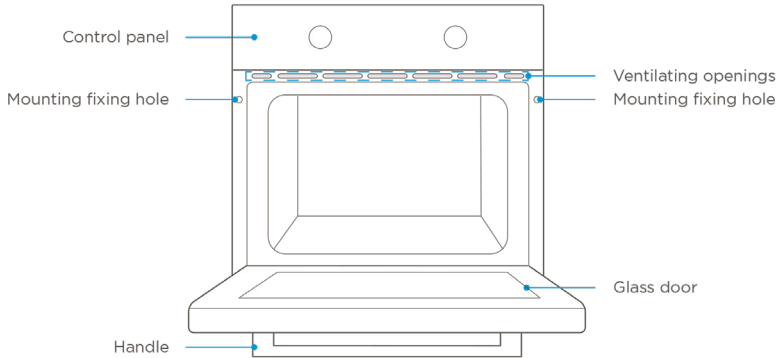
1. Customize the cupboard according to the "Cupboard Diagram."
2. Before installation, ensure that the power socket is functional, properly grounded, and that the cupboard dimensions meet the installation requirements.
3. Place the appliance in the designated location in the kitchen, install it in a vertical cupboard, and connect the power supply.
4. To locate the mounting holes, open the appliance door and refer to the side frame of the appliance (positions shown below).
5. Secure the appliance to the cupboard using two screws.



## PRODUCT INTRODUCTION

### Oven

When removing food, always wear heat-resistant gloves to prevent burns. When opening the oven door, be cautious of steam. Open the door slightly at first to avoid steam coming into contact with your face.



### Accessories

#### Grill Rack

- Use for grilling food or for placing heat-resistant cooking containers.

#### Grill Tray

- Use for cooking large portions of food or for catching food drippings and scraps.

#### Clips

- Use to remove the grill tray and grill rack.  
(Only for some models)

#### Small Grill Rack

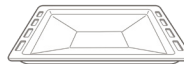
- Use for cooking smaller portions of food.  
(Only for some models)

#### Slide Rail

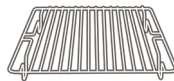
- (Only for some models)



Grill rack



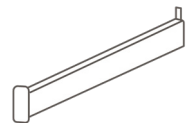
Grill tray



Small grill rack



Clips



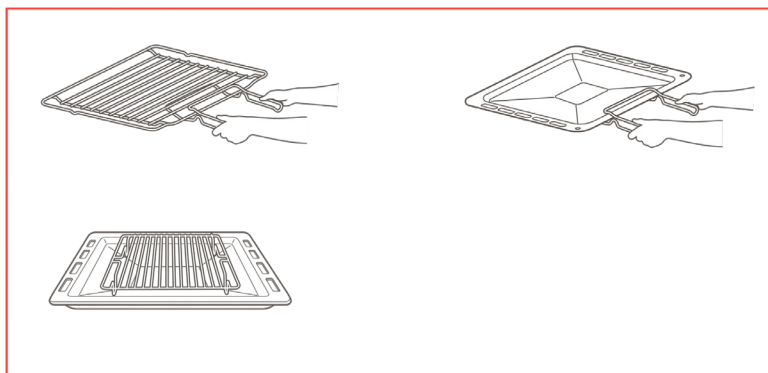
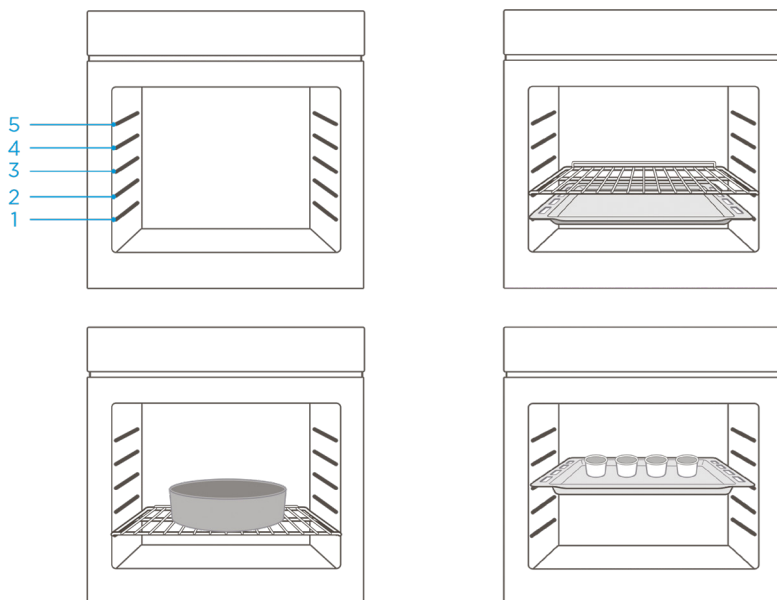
Slide rail

### Using the Accessories (On certain models)

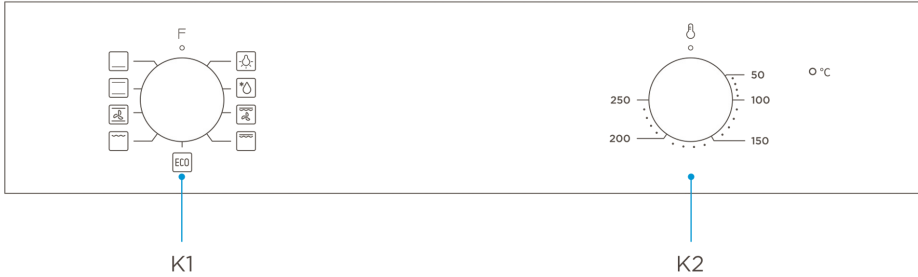
For proper operation of the oven, the grill rack and grill tray should only be placed between the first and fifth levels. When using both together, place the grill tray below the grill rack.

When cooking large items, the side brackets of the cavity can be removed (only for some models), allowing the food and baking tray to be placed at the bottom of the cavity. To prevent heat accumulation at the bottom, do not use the bottom heating element in combination with other heating functions.

The following functions are recommended:












## Control Panel



**K1:** Use to select oven functions.


**K2:** Use to set the temperature.

Function	Function introduction
 <b>Lamp</b>	The cooking process can be observed under illuminated conditions. Except ECO function.
 <b>Defrost</b>	The circulation of air at room temperature enables quicker thawing of frozen food (without the use of any heat).
 <b>Double grill with fan</b>	The radiant heating element and top heating element are working with fan.
 <b>Double grill</b>	The radiant heating element and top heating element are working.
 <b>Single grill</b>	The inner grill element switches on and off to maintain temperature. Can be used to grill a small number of food.
 <b>Conventional+fan</b>	The combination of fan and the top and bottom heating elements provides more even heat penetration and coloration, primarily for cooking meat.
 <b>Conventional</b>	The top and bottom heating elements work together to provide convective cooking.
 <b>Bottom heating</b>	Heating is provided by heating pipes at the bottom of the oven. Mainly used for keeping warm and the coloring of the food.
 <b>ECO</b>	For energy-saving cooking. Cooking the selected ingredients in a gentle manner, and the heat comes from the top and the bottom.

**NOTE:** ALL cooking functions are to be carried out with the door closed!

## Before First Use

1. Do not operate the oven until it has been correctly installed.
2. To prevent fire, remove all transport protection materials and ensure the oven is free of any residual packaging items and accessories (e.g., foam, cardboard, grill tray, grill rack, etc.).
3. Clean the oven cavity and accessories using soapy water and a soft cloth.
4. Open kitchen windows and switch on cooker hoods to ensure proper ventilation.
5. Keep children and pets out of the kitchen and close the doors of adjacent rooms.
6. After connecting the power, set the oven mode, time, and temperature as indicated in the table below to eliminate odours from the cavity.
7. After the first use, open the oven door slightly and allow the oven to cool completely before further use.

Function	Temperature	Time
 Conventional	250°C	0.5-1 Hour

## Regular Use

1. Turn knob K1 to select the oven function.
2. Turn knob K2 to adjust the temperature.
3. When cooking is finished, turn all knobs to the "O" position.

### Note:

The oven light is a separate function that allows the user to observe food or clean the cavity. After use, the light must be turned off manually to return the oven to standby mode.



## Cleaning & Maintenance

### Cleaning

Disconnect the power supply before cleaning and maintenance. To ensure the long life of the oven, it should be cleaned regularly. Follow these steps:

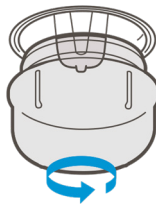
1. After cooking, allow the oven to cool completely.
2. Remove oven accessories, rinse them with warm water, and dry thoroughly.
3. Remove any food debris from the oven cavity.
4. Wipe the oven interior with a soft cloth dampened with detergent, then dry with a clean, soft cloth.

### Notes:

1. Do not use sharp tools, hard brushes, or corrosive cleaning products, as they may damage the oven and its accessories.
2. Do not use abrasive cleaners or sharp metal spatulas to clean the oven door glass.

### Lamp Replacement

1. Switch off and disconnect the oven from the power supply. Ensure that all internal parts have cooled before touching them.
2. Remove the lamp cover by turning it counter-clockwise (it may be stiff). Replace the bulb with a new one of the same type.
3. Insert a new bulb compatible up to 300°C. For replacement bulbs, contact your local service centre.
4. If in doubt, consult a qualified electrician for assistance.
5. The product contains a light source with energy efficiency class G.



**Warning:** To avoid electric shock, ensure that the appliance is switched off and completely cool before removing the lamp lens.

### Troubleshooting

If the problem cannot be resolved, or if other issues occur, please contact the after-sales service.

## Product Recycling

This symbol on the product or in the instruction manual indicates that the appliance must be disposed of separately from household waste at the end of its service life. A dedicated local recycling system is available for proper disposal. For more information, please contact your local authority or the retailer from whom you purchased the product.



When unpacking the oven, ensure that it has not been damaged in any way. If you have any doubts, do not use the appliance; instead, contact a qualified professional. Keep packing materials such as plastic bags, polystyrene, and nails out of the reach of children, as they may pose a danger.

# Product Fiche

---

<b>Model identifier: M8MESO70SS</b>	
<b>General product parameters:</b>	
Number of cavities	1
<b>Cavity 1</b>	
Energy Efficiency Index	94,0
Energy Efficiency Class	A
Energy consumption per cycle (conventional mode)	0,99 kWh
Energy consumption per cycle (fan-forced convection mode)	0,79 kWh
Heat source	Electric
Volume	70 Litres

# Here For You

---

## 8 Here For You

### 8.1 After-sales assistance

If you continue to experience problems with your appliance, please call the Montpellier customer service helpline on: 03333 234473 opt 3

Please have all your product details available, including the model number, serial number, original sales invoice (clearly showing model number, date of purchase and your retailer's details) before registering a fault.

The service call cannot progress without this information.

### Your 2 year Manufacturer's guarantee

THIS DOES NOT AFFECT YOUR STATUTORY RIGHTS.

Your new Montpellier appliance carries a free guarantee which protects you against the cost of repairs during the first 24 months from date of purchase provided that:

Any claim is accompanied by evidence of the model reference, model serial number and proof of purchase, such as a Sales Receipt, showing that the appliance was purchased within the 24 months prior to the date of claim.

### What is not covered under the Guarantee

- Any appliance not correctly installed and operated in accordance with the manufacturer's instructions
- Any appliance that is used for anything other than domestic purposes.
- Any defect caused by accident, misuse, unauthorised modification or inexpert repair.
- Cost of Call-out where a fault cannot be found with the appliance. Cost of Call-out for work covering routine maintenance, such as, but not exclusively, cleaning of filters or defrosting.

- Cost of Call-out for work required to correct the alignment of doors following door reversal procedures carried out by you. Use of the appliance by anyone other than the Householder. Use in any commercial environment.
- Consumable items, such as, but not exclusively, fuses in plugs, bulbs and breakable items which require routine replacement. Repair costs incurred that have not been authorised by Montpellier service and/or carried out by a non-approved Montpellier engineer.
- Montpellier Appliances do not accept claims for consequential loss, rusting, corroding, delivery damage or scratches.

YOUR GUARANTEE IS VALID ONLY IN THE UK & THE REPUBLIC OF IRELAND

To register your appliance simply complete the card in your appliance pack and return it with a stamp affixed or alternatively you can register online at:

[montpellier-appliances.com/support](http://montpellier-appliances.com/support)

...or by phone, call our warranty registration department on **08081 961 388**

### SERVICE HELP -LINE

Should your appliance develop a fault, please call the Montpellier customer service helpline on:

**03333 234473 opt 3**

Please remember to have all your product details available, including the model number, serial number, date of purchase and your retailer's details before registering a fault.





**Montpellier Domestic Appliances Ltd.**

Unit 1, Tewkesbury Retail Park, Northway Lane,  
Tewkesbury, Gloucestershire GL20 8UY

**[www.montpellier-appliances.com](http://www.montpellier-appliances.com)**



The symbol on the product or on its packaging indicates that this product may not be treated as household waste. Instead it shall be handed over to the applicable collection point for the recycling of electrical and electronic equipment. By ensuring this product is disposed of correctly, you will help prevent potential negative consequences for the environment and human health, which could otherwise be caused by inappropriate waste handling of this product. For more detailed information about recycling of this product, please contact your local city office, your household waste disposal service or the shop where you purchased the product.