

**Series 4, Built-under fridge with freezer section, 82 x 59.8 cm, flat hinge
KUL22VFD0G**



Built-under fridge with 4-star freezer section and Door Alarm for worry-free cooling and freezing where space is limited.

- **Quiet appliances:** enjoy a calm and relaxing home.
- **Eco Airflow:** maintains optimal air circulation and a constant temperature level throughout the cooling area.
- **LED lighting:** all your items in perfect view.
- **Super Cool function:** cools new food faster, to protect what is already inside.
- **Super Freeze function:** prevents the food in your freezer from defrosting.

Technical Data

Energy Efficiency Class ¹ :D
Average annual energy consumption in kilowatt hour per year (kWh/a): 119 kWh/annum
Sum of volume of frozen compartments: 17 l
Sum of volume of chill compartments: 93 l
Airborne acoustical noise emissions :35 dB(A) re 1pW
Airborne acoustical noise emission class:B
Built-in / Free-standing: Built-in
Door panel options: Not possible
Height: 820 mm
Width of the appliance: 598 mm
Depth: 548 mm
Required niche size for installation (HxWxD):820 x 600 x 550 mm
Net weight:30.4 kg
Fuse protection:10 A
Door hinge: Right reversible
Voltage: 220-240 V
Frequency: 50 Hz
Length electrical supply cord: 230 cm
Number of compressors: 1
Number of independent cooling systems: 1
Interior ventilator: No
Reversible Door Hinge: Yes
Number of Adjustable Shelves in fridge compartment: 2
Shelves for Bottles: No
EAN code:4242005389636
Brand: Bosch
Product name / Commercial code:KUL22VFD0G
Product category:Refrigerator
Frost free system:No
Installation typology: Built-under
Included accessories:1 x ice cube tray



¹ Scale of Energy Efficiency Classes from A to G

Series 4, Built-under fridge with freezer section, 82 x 59.8 cm, flat hinge KUL22VFD0G

consumption depends on usage/position of the appliance.

Additional features

Built-under fridge with 4-star freezer section and Door Alarm for worry-free cooling and freezing where space is limited.

Performance and Consumption

- EU19_EEK_D: D
- Total Volume : 110 l
- Annual Energy Consumption: 119 kWh/a
- Climate Class: SN-T
- Noise Level : 35 dB , EU19_Noise emission class_D: B

Functions

- Bright interior LED fridge light

Design features

- LED electronic control
- Optical and accoustical
- Fresh mode
- Home Connect: iService Remote, Remote Monitoring and Control with Wi-Fi connectivity
- Super Cooling: automatic deactivation
- Automatic defrost fridge
- Easy clean interior

Design features

- Net Fridge Volume : 93 l
- 2 door bins
- Bottle holder in x-deep door tray

Freshness System

Food freshness system

- Net Freezer Volume : 17 l
- Temperature rise time : EU19_Temperature rise time_D: 9 H
- EU19_Fast freezer facility_D
- Freezing capacity 24h : 3 kg
- Ice box

Key features - Fridge section

- Right hinged door, door reversible
- Fully integrated
- Ventilation through plinth
- Length of power cord:230 cm
- 220 - 240 V

Dimension and installation

- Niche Dimensions: 82 cm H x 60 cm W x 55 cm D
- Dimensions: 82 cm H x 59.8 cm W x 54.8 cm D

Key features - Freezer section

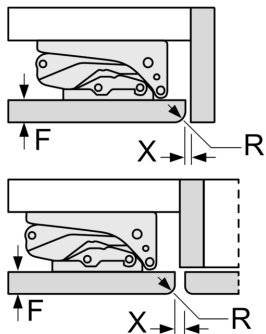
- KUL22VFD0G

Country Specific Options

- Based on the results of the standard 24-hour test. Actual

**Series 4, Built-under fridge with
freezer section, 82 x 59.8 cm, flat
hinge
KUL22VFD0G**

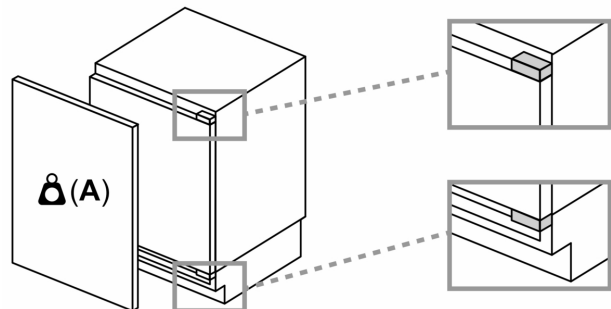
measurements in mm
Recommended gap dimensions for flat hinges



F	R	X
16-19	0-3	2.5
20	0-1	3
	2-3	2.5
21	0-1	3
	2-3	2.5
22	0	4
	1	3.5
	2-3	3

The gap dimensions recommended in the table must be adhered to in order to ensure that appliance doors do not collide with anything when they are opened, and to avoid causing damage to kitchen units.

Maximal permissible weight of the unit fronts



Fitted unit fronts that exceed the permissible weight may cause damage and result in functional impairment of the hinges

A: Weight \leq 12 kg