

Series 2, Built-in fridge-freezer with freezer at bottom, 177.2 x 54.1 cm, sliding hinge KIV87NSE0G



The spacious built-in fridge-freezer combination with LowFrost provides optimal food storage and ice formation is significantly reduced.

- **Eco Airflow:** maintains optimal air circulation and a constant temperature level throughout the cooling area.
- **Low Frost:** defrost less often thanks to reduced frost – saving time, effort and energy.
- **Quiet appliances:** enjoy a calm and relaxing home.
- **LED lighting:** all your items in perfect view.
- **Big Box drawer:** easily stack food containers and store larger items in your freezer.

Technical Data

Energy Efficiency Class ¹ : E
Average annual energy consumption in kilowatt hour per year (kWh/a): 216 kWh/annum
Sum of volume of frozen compartments: 70 l
Sum of volume of chill compartments: 200 l
Airborne acoustical noise emissions : 35 dB(A) re 1pW
Airborne acoustical noise emission class: B
Built-in / Free-standing: Built-in
Door panel options: Not possible
Height: 1772 mm
Width of the appliance: 541 mm
Depth: 548 mm
Required niche size for installation (HxWxD): 1775x560x550 mm
Net weight: 51.3 kg
EAN code: 4242005431304
Fuse protection: 10 A
Door hinge: Right reversible
Voltage: 220-240 V
Frequency: 50 Hz
Length electrical supply cord: 230 cm
Number of compressors: 1
Number of independent cooling systems: 1
Interior ventilator: No
Reversible Door Hinge: Yes
Number of Adjustable Shelves in fridge compartment: 4
Shelves for Bottles: No
Installation typology: Integrated



¹ Scale of Energy Efficiency Classes from A to G

Series 2, Built-in fridge-freezer with freezer at bottom, 177.2 x 54.1 cm, sliding hinge KIV87NSE0G

The spacious built-in fridge-freezer combination with LowFrost provides optimal food storage and ice formation is significantly reduced.

- easy Installation

Performance and Consumption

- EU19_EEK_D: E
- Total Volume : 270 l
- Annual Energy Consumption: 216 kWh/a
- EU19_Fast freezer facility_D
- Noise Level : 35 dB , EU19_Noise emission class_D: B

Functions

- Bright interior LED fridge light in fridge section

Design features

- LED electronic control
- Super Cooling: automatic deactivation
- SuperFreeze function with automatic deactivation
- Optical and acoustical door open warning

Design features

- Net Fridge Volume : 200 l
- 4 door bins

Freshness System

Food freshness system

- Net Freezer Volume : 70 l
- LowFrost - less ice creation and therefore quicker defrosting
- Freezing capacity 24h : 3.2 kg
- Temperature rise time : EU19_Temperature rise time_D: 12 H
- 2 freezer drawers

Dimension and installation

- Dimensions: 177.2 cm H x 54.1 cm W x 54.8 cm D
- Niche Dimensions: 177.5 cm H x 56 cm W x 55 cm D

Key features - Fridge section

- Right hinged door, door reversible
- Climate Class: SN-ST
- 220 - 240 V
- Length of power cord:230 cm

Key features - Freezer section

- 1 x ice cube tray

Country Specific Options

- Based on the results of the standard 24-hour test. Actual consumption depends on usage/position of the appliance.

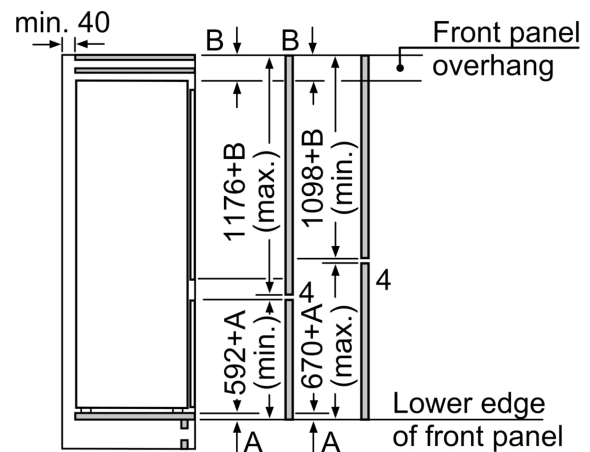
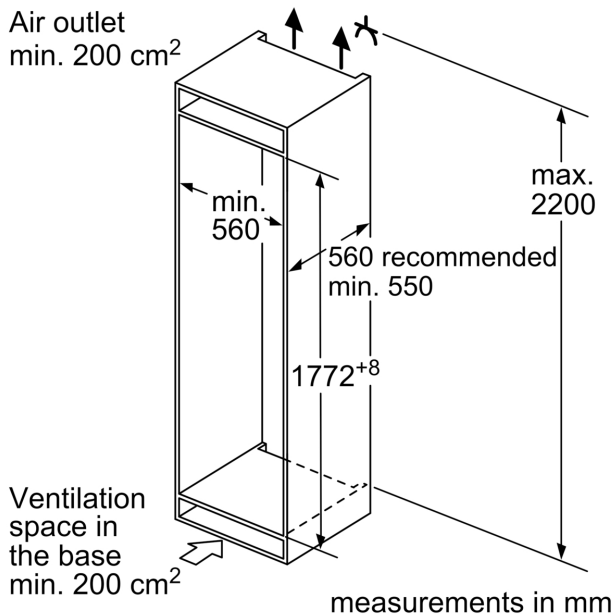
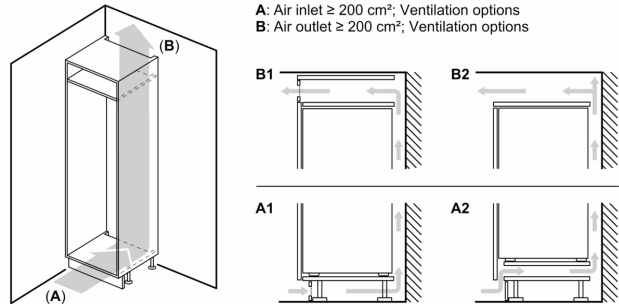
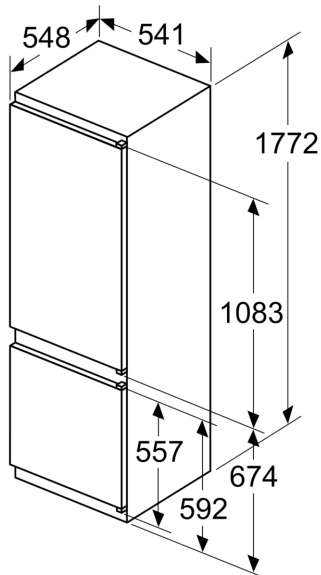
Design features

Dimension and installation

Additional features

**Series 2, Built-in fridge-freezer with
freezer at bottom, 177.2 x 54.1 cm,
sliding hinge
KIV87NSE0G**

measurements in mm



The specified unit door dimensions
are valid for a door gap of 4 mm.

measurements in mm