

**Series 4, Built-in fridge-freezer with freezer at bottom, 177.2 x 54.1 cm, sliding hinge
KIV86VSE0G**



The spacious built-in fridge-freezer combination with VitaFresh XXL keeps food fresh for longer.

- **Eco Airflow:** maintains optimal air circulation and a constant temperature level throughout the cooling area.
- **Low Frost:** defrost less often thanks to reduced frost – saving time, effort and energy.
- **Quiet appliances:** enjoy a calm and relaxing home.
- **LED lighting:** all your items in perfect view.

Technical Data

Energy Efficiency Class ¹ : E
Average annual energy consumption in kilowatt hour per year (kWh/a): 229 kWh/annum
Sum of volume of frozen compartments: 84 l
Sum of volume of chill compartments: 183 l
Airborne acoustical noise emissions : 35 dB(A) re 1pW
Airborne acoustical noise emission class: B
Built-in / Free-standing: Built-in
Door panel options: Not possible
Height: 1772 mm
Width of the appliance: 541 mm
Depth: 548 mm
Required niche size for installation (HxWxD): 1775x560x550 mm
Net weight: 51.3 kg
EAN code: 4242005241927
Fuse protection: 10 A
Door hinge: Right reversible
Voltage: 220-240 V
Frequency: 50 Hz
Length electrical supply cord: 230 cm
Number of compressors: 1
Number of independent cooling systems: 1
Interior ventilator: No
Reversible Door Hinge: Yes
Number of Adjustable Shelves in fridge compartment: 3
Shelves for Bottles: Yes
Frost free system: N/A
Installation typology: Integrated



¹ Scale of Energy Efficiency Classes from A to G

Series 4, Built-in fridge-freezer with freezer at bottom, 177.2 x 54.1 cm, sliding hinge KIV86VSE0G

The spacious built-in fridge-freezer combination with VitaFresh XXL keeps food fresh for longer.

Highlights

- Dimensions: 1772x541x548 mm
- Energy Efficiency Class¹: E
- Sum of volume of chill compartments: 183 l
- Sum of volume of frozen compartments: 84 l
- Airborne acoustical noise emissions : 35 dB(A) re 1pW
- Freshness system: VitaFresh
- Warning signal / malfunction: No signal

General

- Colour of appliance: N/A
- Door hinge: Right reversible
- Hinge type: sliding hinge
- Type of control setting devices: Button
- Energy Efficiency Class²: E
- Average annual energy consumption in kilowatt hour per year (kWh/a): 229 kWh/annum
- Sum of volume of chill compartments: 183 l
- Sum of volume of frozen compartments: 84 l
- Airborne acoustical noise emissions : 35 dB(A) re 1pW
- Airborne acoustical noise emission class: B
- Climate Class: Extended temperate, Subtropical, Temperate
- Included accessories: 1 x ice cube tray

Size and weight

- Dimensions: 1772x541x548 mm
- Dimensions of the packed product (HxWxD): 1840x610x640 mm
- Minimum height for installation: 1775 mm
- Maximum height for installation: 1775 mm
- Minimum width for installation: 560 mm
- Maximum width for installation: 560 mm
- Depth for installation: 550 mm
- Net weight: 51.3 kg
- Length electrical supply cord: 230 cm

Comfort

- Freshness system: VitaFresh
- superFreezing
- Low frost
- Type of bottle rack: 1 bottle support grid
- BigBox
- Silence

Cooling

- Number of shelves in fridge compartment: 4
- Number of Adjustable Shelves in fridge compartment: 3
- Number of Door Bins - Refrigerator: 3

- Light Wattage - Refrigerator: LED

Freezing

- Star Rating: 4
- Storage Period in Event of Power Failure (h): 9 h
- Freezing drawers (Stck): 3
- Number of freezing flaps (Stck): 0
- No. of ice cube trays: 1

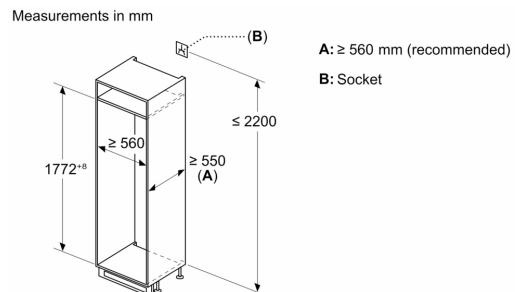
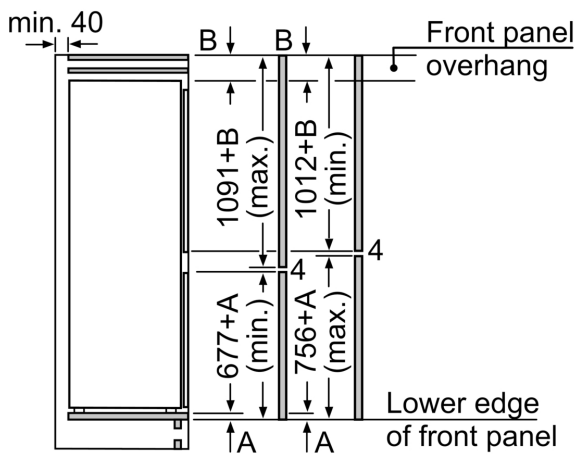
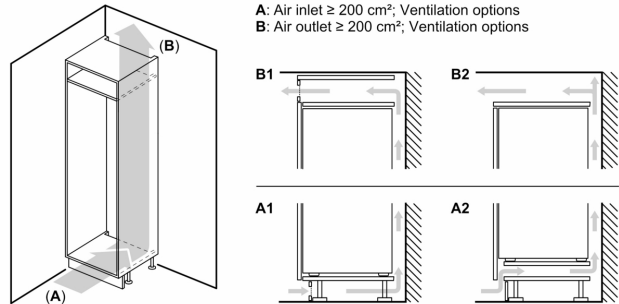
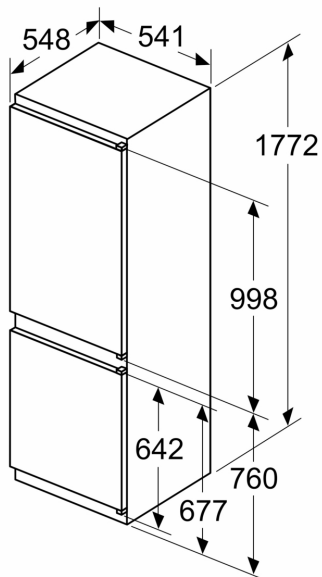
Connectivity

¹ Scale of Energy Efficiency Classes from A to G

² Scale of Energy Efficiency Classes from A to G

**Series 4, Built-in fridge-freezer with
freezer at bottom, 177.2 x 54.1 cm,
sliding hinge
KIV86VSE0G**

measurements in mm



The specified unit door dimensions
are valid for a door gap of 4 mm.

measurements in mm