

**Series 2, Built-in fridge, 177.2 x 54.1 cm, sliding hinge KIR81NSE0G**



**The spacious built-in fridge with Multi Box XXL drawer for fruit and vegetables and high stability door trays provides optimal food storage.**

- **MultiBox XXL:** extra-large drawer for your fruit and vegetables.
- **Quiet appliances:** enjoy a calm and relaxing home.
- **LED lighting:** all your items in perfect view.
- **Super Cool function:** cools new food faster, to protect what is already inside.

**Technical Data**

Energy Efficiency Class <sup>1</sup> :	..... E
Average annual energy consumption in kilowatt hour per year (kWh/a):	..... 114 kWh/annum
Sum of volume of frozen compartments:	..... 0 l
Sum of volume of chill compartments:	..... 310 l
Airborne acoustical noise emissions :	.....35 dB(A) re 1pW
Airborne acoustical noise emission class:	.....B
Built-in / Free-standing:	..... Built-in
Door panel options:	..... Not possible
Height:	..... 1772 mm
Width of the appliance:	..... 541 mm
Depth:	..... 548 mm
Required niche size for installation (HxWxD):	..... 1775x560x550 mm
Net weight:	..... 51.9 kg
Fuse protection:	..... 10 A
Door hinge:	..... Right reversible
Voltage:	..... 220-240 V
Frequency:	..... 50 Hz
Length electrical supply cord:	..... 230 cm
Number of compressors:	..... 1
Number of independent cooling systems:	..... 1
Interior ventilator:	..... Yes
Reversible Door Hinge:	..... Yes
Number of Adjustable Shelves in fridge compartment:	..... 5
Shelves for Bottles:	..... No
EAN code:	..... 4242005365067
Brand:	..... Bosch
Product name / Commercial code:	..... KIR81NSE0G
Product category:	..... Refrigerator
Installation typology:	..... Integrated



<sup>1</sup> Scale of Energy Efficiency Classes from A to G

## **Series 2, Built-in fridge, 177.2 x 54.1 cm, sliding hinge KIR81NSE0G**

**The spacious built-in fridge with Multi Box XXL drawer for fruit and vegetables and high stability door trays provides optimal food storage.**

---

### **Performance and Consumption**

- EU19\_EEK\_D: E
- Total Volume : 310 l
- Annual Energy Consumption: 114 kWh/a
- Climate Class: SN-ST
- Noise Level : 35 dB , EU19\_Noise emission class\_D: B

### **Functions**

- Bright interior LED fridge light

### **Design features**

- LED electronic control
- Optical and accoustical
- Super Cooling: automatic deactivation
- Automatic defrost fridge
- Easy clean interior

### **Design features**

- Net Fridge Volume : 310 L
- 7 safety glass shelves in fridge compartment of which 5 are height adjustable
- 5 door bins

### **Freshness System**

- 2 MultiBox drawers

### **Key features - Fridge section**

- Right hinged door, door reversible
- Fully integrated
- Length of power cord:230 cm
- 220 - 240 V

### **Dimension and installation**

- Niche Dimensions: 177.5 cm H x 56 cm W x 55 cm D
- Dimensions: 177.2 cm H x 54.1 cm W x 54.8 cm D

### **Key features - Freezer section**

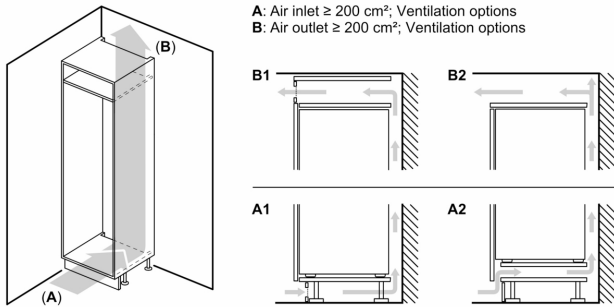
- KIR81NSE0G

### **Country Specific Options**

- Based on the results of the standard 24-hour test. Actual consumption depends on usage/position of the appliance.

### **Additional features**

**Series 2, Built-in fridge, 177.2 x 54.1 cm, sliding hinge  
KIR81NSE0G**



Measurements in mm

