

Series 6, Built-in fridge, 177.2 x 55.8 cm, soft close flat hinge KIR81ADD0G



The spacious built-in fridge with VitaFresh XXL drawer for fruit and vegetables and high stability door trays provides optimal food storage.

- **VitaFresh XXL <0°C>**: keeps food fresh for longer in extra-large climate-controlled fridge drawers.
- **MultiBox XXL**: extra-large drawer for your fruit and vegetables.
- **Quiet appliances**: enjoy a calm and relaxing home.
- **LED lighting**: all your items in perfect view.
- **Super Cool function**: cools new food faster, to protect what is already inside.

Technical Data

Energy Efficiency Class ¹ :D
Average annual energy consumption in kilowatt hour per year (kWh/a):91 kWh/annum
Sum of volume of frozen compartments: 0 l
Sum of volume of chill compartments: 310 l
Airborne acoustical noise emissions :34 dB(A) re 1pW
Airborne acoustical noise emission class:B
Built-in / Free-standing: Built-in
Door panel options: Not possible
Height: 1772 mm
Width of the appliance: 558 mm
Depth: 548 mm
Required niche size for installation (HxWxD): 1775x560x550 mm
Net weight: 57.3 kg
Fuse protection: 10 A
Door hinge: Right reversible
Voltage: 220-240 V
Frequency: 50 Hz
Length electrical supply cord: 230 cm
Number of compressors: 1
Number of independent cooling systems: 1
Interior ventilator: Yes
Reversible Door Hinge: Yes
Number of Adjustable Shelves in fridge compartment: 4
Shelves for Bottles: Yes
EAN code: 4242005387755
Brand: Bosch
Product name / Commercial code: KIR81ADD0G
Product category: Refrigerator
Installation typology: Integrated
Included accessories: 1 x Heavy-duty hinge support



¹ Scale of Energy Efficiency Classes from A to G

Series 6, Built-in fridge, 177.2 x 55.8 cm, soft close flat hinge KIR81ADD0G

The spacious built-in fridge with VitaFresh XXL drawer for fruit and vegetables and high stability door trays provides optimal food storage.

- Built-in fridge
- Fixed hinge, SoftClosing Door - dampens door movement, for smooth and effortless closure

Performance and Consumption

- EU19_EEK_D: D
- Total Volume : 310 l
- Annual Energy Consumption: 91 kWh/a
- Climate Class: SN-ST
- Noise Level : 34 dB , EU19_Noise emission class_D: B

Functions

- Bright interior LED fridge light

Design features

- LED electronic control
- Optical and accoustical
- Super Cooling: automatic deactivation
- Automatic defrost fridge
- Easy clean interior

Design features

- Net Fridge Volume : 310 l
- 7 safety glass shelves in fridge compartment of which 4 are height adjustable
- 5 door bins
- Metal bottle rack

Freshness System

- 1 VitaFresh drawer with humidity control - Fruits and vegetables retain vitamins and stay fresh for longer
- 1 MultiBox - Transparent drawer with a rippled bottom, ideal for storing fruits and vegetables.

Key features - Fridge section

- Right hinged door, door reversible
- Fully integrated
- Length of power cord:230 cm
- 220 - 240 V

Dimension and installation

- Niche Dimensions: 177.5 cm H x 56 cm W x 55 cm D
- Dimensions: 177.2 cm H x 55.8 cm W x 54.8 cm D

Key features - Freezer section

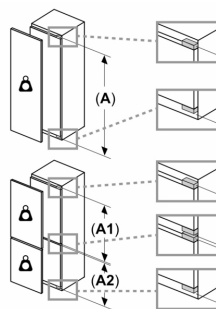
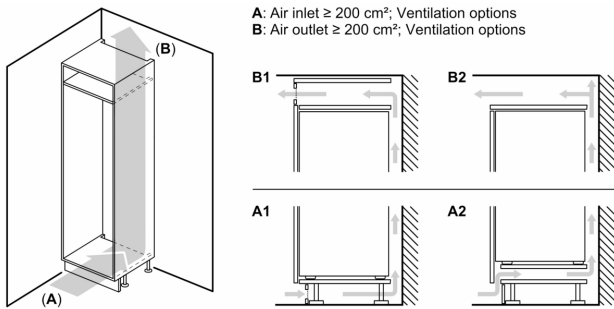
- KIR81ADD0G

Country Specific Options

- Based on the results of the standard 24-hour test. Actual consumption depends on usage/position of the appliance.

Additional features

Series 6, Built-in fridge, 177.2 x 55.8 cm, soft close flat hinge KIR81ADD0G



Maximal permissible weight of the unit fronts

Fitted unit fronts that exceed the permissible weight may cause damage and result in functional impairment of the hinges

Δ Weight
 A: Appliance door height including hinges in mm

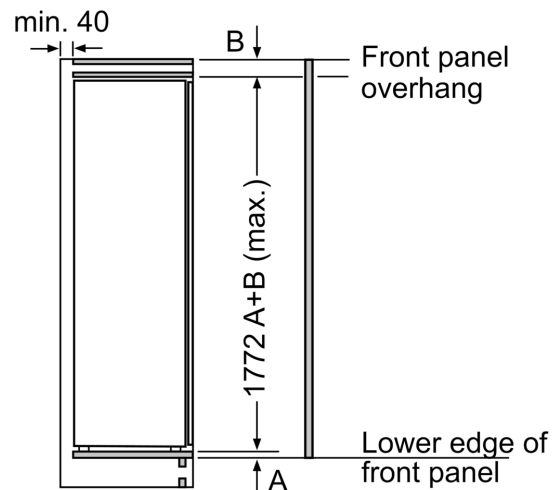
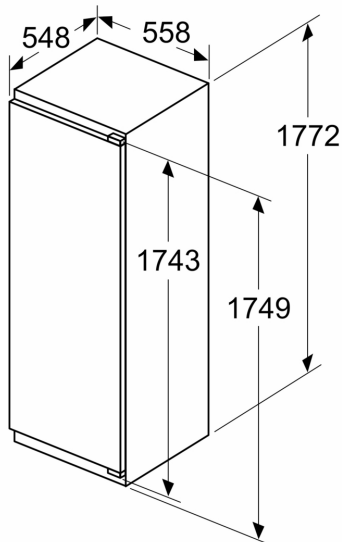
B: Undamped hinge, unit front in kg

C: Damped hinge, unit front in kg

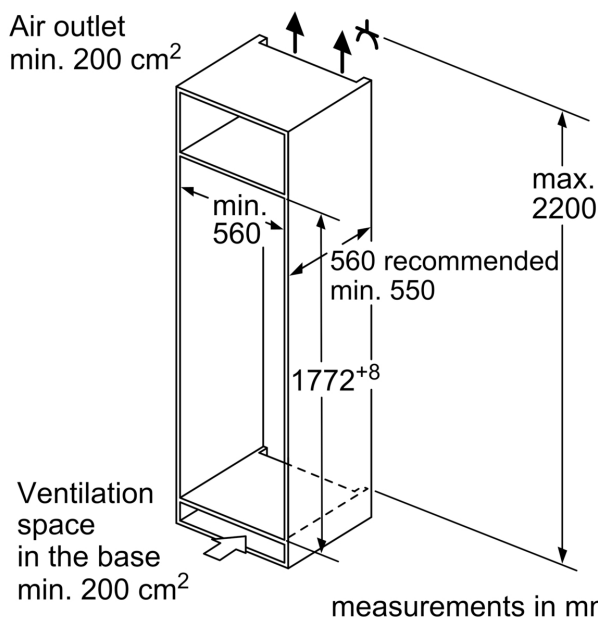
D: Additional possible load in kg with heavy load kit

A	B	C	D
1500-1750	22	22	B+5 / C+5
720-1400	19	19	
A1	15	19	
A2	15	19	

Measurements in mm

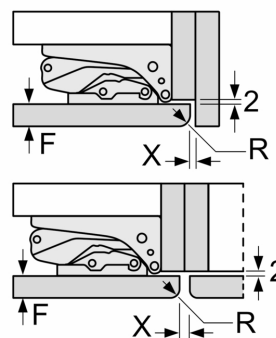


measurements in mm



measurements in mm

Recommended gap dimensions for flat hinges



F	R	X
16-19	0-3	2.5
20	0-1	3
	2-3	2.5
21	0-1	3
	2-3	2.5
22	0	4
	1	3.5
	2-3	3

The gap dimensions recommended in the table must be adhered to in order to ensure that appliance doors do not collide with anything when they are opened, and to avoid causing damage to kitchen units.