

**Series 2, Built-in fridge, 122.1 x 54.1 cm, sliding hinge
KIR41NSE0G**



The spacious built-in fridge with Multi Box XXL drawer for fruit and vegetables and high stability door trays provides optimal food storage.

- **MultiBox XXL:** extra-large drawer for your fruit and vegetables.
- **Quiet appliances:** enjoy a calm and relaxing home.
- **Eco Airflow:** maintains optimal air circulation and a constant temperature level throughout the cooling area.
- **LED lighting:** all your items in perfect view.
- **Super Cool function:** cools new food faster, to protect what is already inside.

Technical Data

| | |
|--|------------------------|
| Energy Efficiency Class ¹ : | E |
| Average annual energy consumption in kilowatt hour per year (kWh/a): | 101 kWh/annum |
| Sum of volume of frozen compartments: | 0 l |
| Sum of volume of chill compartments: | 204 l |
| Airborne acoustical noise emissions : | 35 dB(A) re 1pW |
| Airborne acoustical noise emission class: | B |
| Built-in / Free-standing: | Built-in |
| Door panel options: | Not possible |
| Height: | 1221 mm |
| Width of the appliance: | 541 mm |
| Depth: | 548 mm |
| Required niche size for installation (HxWxD): | 1225x560x550 mm |
| Net weight: | 38.1 kg |
| Fuse protection: | 10 A |
| Door hinge: | Right reversible |
| Voltage: | 220-240 V |
| Frequency: | 50 Hz |
| Length electrical supply cord: | 230 cm |
| Number of compressors: | 1 |
| Number of independent cooling systems: | 1 |
| Interior ventilator: | No |
| Reversible Door Hinge: | Yes |
| Number of Adjustable Shelves in fridge compartment: | 4 |
| Shelves for Bottles: | No |
| EAN code: | 4242005328628 |
| Brand: | Bosch |
| Product name / Commercial code: | KIR41NSE0G |
| Product category: | Refrigerator |
| Installation typology: | Integrated |



¹ Scale of Energy Efficiency Classes from A to G



Series 2, Built-in fridge, 122.1 x 54.1 cm, sliding hinge KIR41NSE0G

The spacious built-in fridge with Multi Box XXL drawer for fruit and vegetables and high stability door trays provides optimal food storage.

- Easy Installation

Performance and Consumption

- EU19_EEK_D: E
- Total Volume : 204 l
- Net Fridge Volume : 204 l
- Net Freezer Volume : 0 l
- Annual Energy Consumption: 101 kWh/a
- Climate Class: SN-ST
- EU19_Fast freezer facility_D
- Noise Level : 35 dB , EU19_Noise emission class_D: B

Functions

- Bright interior LED fridge light
- LED electronic control
- Automatic defrost fridge
- Super Cooling: automatic deactivation
- Optical and acoustical door open warning

Design features

- 5 safety glass shelves (4 height adjustable)

Freshness System

- 1 MultiBox - Transparent drawer with a rippled bottom, ideal for storing fruits and vegetables.

Dimension and installation

- Dimensions: 122.1 cm H x 54.1 cm W x 54.8 cm D
- Niche Dimensions: 122.5 cm H x 56 cm W x 55 cm D
- Right hinged door, door reversible
- 220 - 240 V

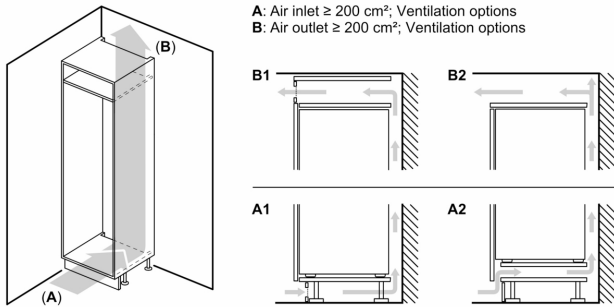
Key features - Freezer section

- bottle holder in door tray

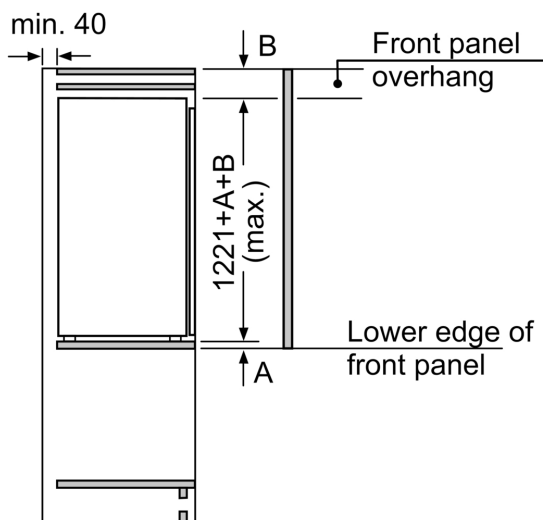
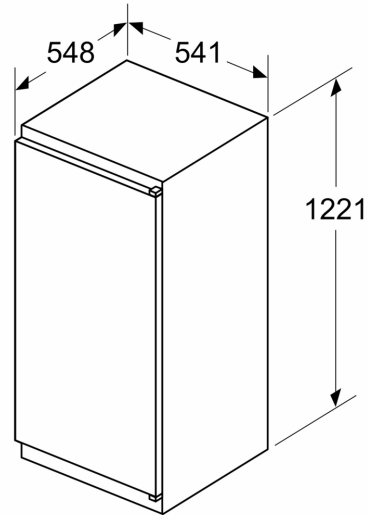
Country Specific Options

- Based on the results of the standard 24-hour test. Actual consumption depends on usage/position of the appliance.

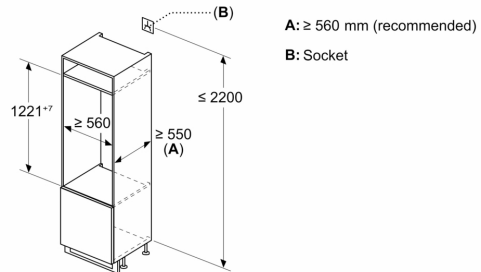
**Series 2, Built-in fridge, 122.1 x 54.1
cm, sliding hinge
KIR41NSE0G**



Measurements in mm



Measurements in mm



measurements in mm