

**Series 4, Built-in fridge-freezer with freezer at bottom, 177.2 x 54.1 cm, sliding hinge  
KIN86VSE0G**



**The spacious built-in fridge-freezer combination with VitaFresh XXL and NoFrost keeps food fresh for longer and prevent ice formation.**

- **No Frost:** never defrost again, thanks to perfect protection from ice formation - that saves time and effort.
- **Quiet appliances:** enjoy a calm and relaxing home.
- **Eco Airflow:** maintains optimal air circulation and a constant temperature level throughout the cooling area.
- **LED lighting:** all your items in perfect view.
- **Super Freeze function:** prevents the food in your freezer from defrosting.

**Technical Data**

Energy Efficiency Class <sup>1</sup> :	..... E
Average annual energy consumption in kilowatt hour per year (kWh/a):	..... 234 kWh/annum
Sum of volume of frozen compartments:	..... 76 l
Sum of volume of chill compartments:	..... 184 l
Airborne acoustical noise emissions :	..... 35 dB(A) re 1pW
Airborne acoustical noise emission class:	..... B
Built-in / Free-standing:	..... Built-in
Door panel options:	..... Not possible
Height:	..... 1772 mm
Width of the appliance:	..... 541 mm
Depth:	..... 548 mm
Required niche size for installation (HxWxD):	..... 1775x560x550 mm
Net weight:	..... 52.7 kg
EAN code:	..... 4242005270064
Fuse protection:	..... 10 A
Door hinge:	..... Right reversible
Voltage:	..... 220-240 V
Frequency:	..... 50 Hz
Length electrical supply cord:	..... 230 cm
Number of compressors:	..... 1
Number of independent cooling systems:	..... 1
Interior ventilator:	..... No
Reversible Door Hinge:	..... Yes
Number of Adjustable Shelves in fridge compartment:	..... 2
Shelves for Bottles:	..... Yes
Frost free system:	..... Freezer
Installation typology:	..... Integrated



<sup>1</sup> Scale of Energy Efficiency Classes from A to G

## **Series 4, Built-in fridge-freezer with freezer at bottom, 177.2 x 54.1 cm, sliding hinge KIN86VSE0G**

- Noise Level : 35 dB , EU19\_Noise emission class\_D: B
- Temperature rise time : EU19\_Temperature rise time\_D: 10 H

**The spacious built-in fridge-freezer combination with VitaFresh XXL and NoFrost keeps food fresh for longer and prevent ice formation.**

---

### **Design features**

- easy Installation

### **Functions**

- Bright interior LED fridge light in fridge section

### **Design features**

- LED electronic control
- Super Cooling: automatic deactivation
- SuperFreeze function with automatic deactivation
- Optical and accoustical
- 4 safety glass shelves in fridge compartment of which 2 are height adjustable

### **Design features**

- 1 removable door storage compartments.
- 3 door bins

### **Freshness System**

- 1 VitaFresh drawer with humidity control - Fruits and vegetables retain vitamins and stay fresh for longer

### **Food freshness system**

- NO\_FROST\_NEU\_BL, never have to defrost ever again
- 3 freezer drawers

### **Dimension and installation**

- Dimensions: 177.2 cm H x 54.1 cm W x 54.8 cm D
- Niche Dimensions: 177.5 cm H x 56 cm W x 55 cm D

### **Key features - Fridge section**

- Right hinged door, door reversible
- 220 - 240 V

### **Key features - Freezer section**

- 1 x ice cube tray

### **Country Specific Options**

- Based on the results of the standard 24-hour test. Actual consumption depends on usage/position of the appliance.

### **Additional features**

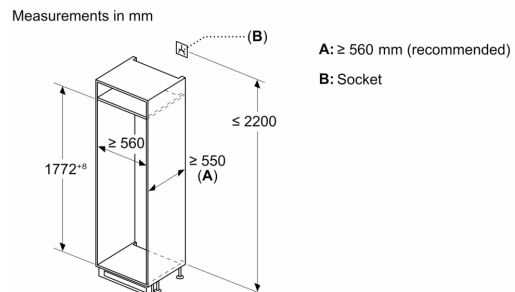
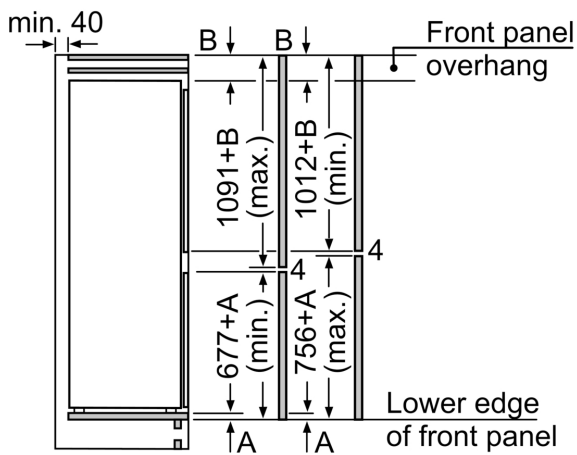
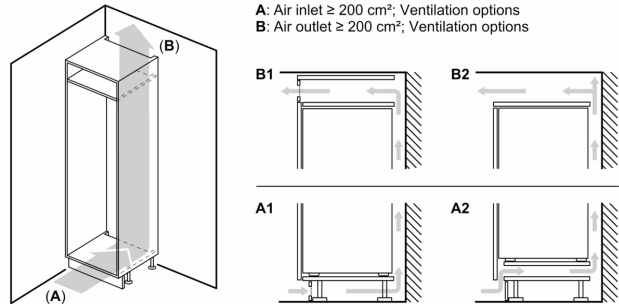
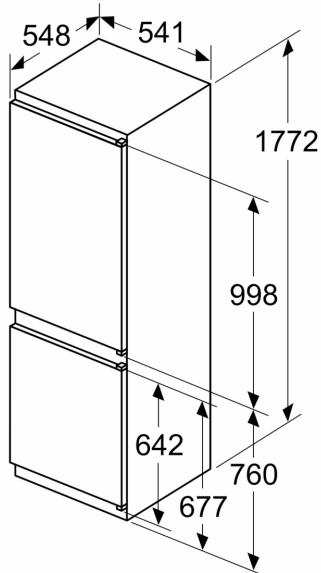
- Net 4\* compartment volume : 76 l

### **Performance and Consumption**

- EU19\_EEK\_D: E
- Total Volume : 260 l
- Net Fridge Volume : 184 l
- Net Freezer Volume : 76 l
- Freezing capacity 24h : 4 kg
- Annual Energy Consumption: 234 kWh/a
- Climate Class: SN-ST

**Series 4, Built-in fridge-freezer with  
freezer at bottom, 177.2 x 54.1 cm,  
sliding hinge  
KIN86VSE0G**

measurements in mm



The specified unit door dimensions  
are valid for a door gap of 4 mm.

measurements in mm