

**Series 6, Free-standing fridge-freezer with freezer at bottom, 203 x 60 cm, Stainless steel KGN39AIAT**



**Energy Efficiency Class A fridge freezer, with VitaFresh XXL near <0°C> and No Frost for efficient and perfect cooling results under any circumstances.**

- **Energy efficiency class A:** reduce energy consumption while enjoying optimal cooling performance.
- **VitaFresh XXL <0°C>:** keeps food fresh for longer in extra-large climate-controlled fridge drawers.
- **No Frost:** never defrost again, thanks to perfect protection from ice formation - that saves time and effort.
- **Perfect Fit:** place your appliance right next to walls or in a niche.
- **Quiet appliances:** enjoy a calm and relaxing home.

**Technical Data**

Energy Efficiency Class<sup>1</sup>: ..... A  
 Average annual energy consumption in kilowatt hour per year (kWh/a): ..... 104 kWh/annum  
 Sum of volume of frozen compartments: ..... 103 l  
 Sum of volume of chill compartments: ..... 260 l  
 Airborne acoustical noise emissions : ..... 29 dB(A) re 1pW  
 Airborne acoustical noise emission class: ..... A  
 Built-in / Free-standing: ..... Freestanding  
 Door panel options: ..... Not possible  
 Height: ..... 2030 mm  
 Width of the appliance: ..... 600 mm  
 Depth: ..... 665 mm  
 Net weight: ..... 101.1 kg  
 EAN code: ..... 4242005325443  
 Fuse protection: ..... 10 A  
 Door hinge: ..... Right reversible  
 Voltage: ..... 220-240 V  
 Frequency: ..... 50 Hz  
 Length electrical supply cord: ..... 210 cm  
 Number of compressors: ..... 1  
 Number of independent cooling systems: ..... 2  
 Interior ventilator: ..... No  
 Reversible Door Hinge: ..... Yes  
 Number of Adjustable Shelves in fridge compartment: ..... 3  
 Shelves for Bottles: ..... Yes  
 Frost free system: ..... Fridge and freezer  
 Installation typology: ..... Free-standing



<sup>1</sup> Scale of Energy Efficiency Classes from A to G

## Series 6, Free-standing fridge-freezer with freezer at bottom, 203 x 60 cm, Stainless steel KGN39AIAT

**Energy Efficiency Class A fridge freezer, with VitaFresh XXL near <0°C> and No Frost for efficient and perfect cooling results under any circumstances.**

- Standard door Stainless Steel EasyClean

### Performance and Consumption

- EU19\_EEK\_D: A
- Total Volume : 363 l
- Net Fridge Volume : 260 l
- Net Freezer Volume : 103 l
- Freezing capacity 24h : 11 kg
- Annual Energy Consumption: 104 kWh/a
- Climate Class: SN-T
- EU19\_Fast freezer facility\_D
- Noise Level : 29 dB , EU19\_Noise emission class\_D: A
- Temperature rise time : EU19\_Temperature rise time\_D: 21 H

### Functions

- Stainless Steel EasyClean doors and Pearl grey (VZF 07127) side panels
- Vertical door handle
- Bright interior LED fridge light in fridge section

### Design features

- NO\_FROST\_NEU\_BL, never have to defrost ever again
- Separate, electronic temperature control with LED display
- Two separate cooling circuits allow independent temperature control and prevents the transference of humidity between the fridge and freezer cavity
- Super Cooling: automatic deactivation
- Optical and accoustical
- Freezer malfunction warning signal: optical and acoustical warning system

### Design features

- MultiAirflow system - improves circulation of air around the fridge
- 5 safety glass shelves (3 height adjustable)
- Metal bottle rack
- Door shelves in fridge door: 1 large and 3 small.

### Freshness System

- 1 VitaFresh drawer - Fish and meat stay fresh for longer
- 1 VitaFresh drawer with humidity control - Fruits and vegetables retain vitamins and stay fresh for longer

### Food freshness system

- Net freezer capacity: 103 litres
- 3 freezer drawers

### Dimension and installation

- Dimensions: 203 cm H x 60 cm W x 66.5 cm D

### Key features - Fridge section

- Right hinged door, door reversible
- Height adjustable front feet
- 220 - 240 V
- Length of power cord:210 cm

### Key features - Freezer section

- 1 x ice cube tray

### Country Specific Options

- Based on the results of the standard 24-hour test. Actual consumption depends on usage/position of the appliance.

### Design features

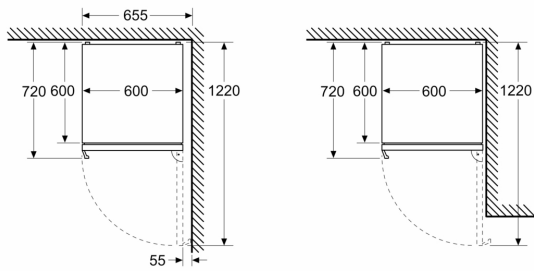
### Dimension and installation

### Additional features

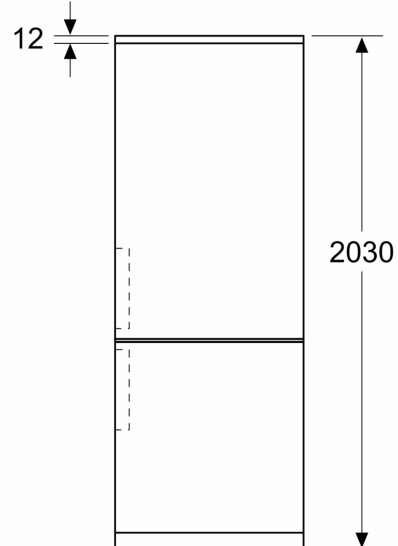
- Dividable glass shelf
- 5 safety glass shelves of which 3 are height adjustable
- SuperFreeze function with automatic deactivation
- Metal backwall

**Series 6, Free-standing fridge-freezer  
with freezer at bottom, 203 x 60 cm,  
Stainless steel  
KGN39AIAT**

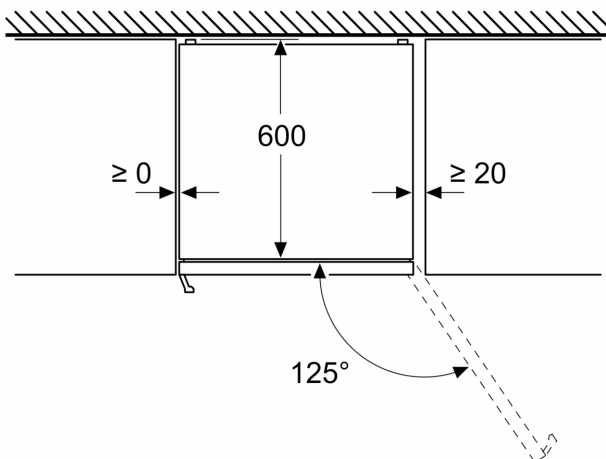
Measurements in mm



Measurements in mm



Measurements in mm



Measurements in mm

