

**Series 4, Free-standing fridge-freezer with freezer at bottom, 203 x 60 cm, Stainless steel look, Total No Frost KGN392LAGG**



**No Frost bottomfreezer : no need to defrost your freezer**

- **No Frost:** never defrost again, thanks to perfect protection from ice formation - that saves time and effort.
- **Energy efficiency class A:** reduce energy consumption while enjoying optimal cooling performance.
- **Glossy Backwall with Multi Airflow:** evenly circulates cool, fresh air to maintain consistent temperatures.
- **Perfect Fit:** place your appliance right next to walls or in a niche.
- **Two cooling systems:** separately controllable fridge and freezer compartments

**Technical Data**

Energy Efficiency Class <sup>1</sup> :	..... A
Average annual energy consumption in kilowatt hour per year (kWh/a):	..... 112 kWh/annum
Sum of volume of frozen compartments:	..... 103 l
Sum of volume of chill compartments:	..... 260 l
Airborne acoustical noise emissions :	..... 29 dB(A) re 1pW
Airborne acoustical noise emission class:	..... A
Built-in / Free-standing:	..... Freestanding
Door panel options:	..... Not possible
Height:	..... 2030 mm
Width of the appliance:	..... 600 mm
Depth:	..... 665 mm
Net weight:	..... 95.5 kg
EAN code:	..... 4242005526550
Fuse protection:	..... 10 A
Door hinge:	..... Right reversible
Voltage:	..... 220-240 V
Frequency:	..... 50 Hz
Length electrical supply cord:	..... 210 cm
Number of compressors:	..... 1
Number of independent cooling systems:	..... 2
Interior ventilator:	..... No
Reversible Door Hinge:	..... Yes
Number of Adjustable Shelves in fridge compartment:	..... 3
Shelves for Bottles:	..... Yes
Frost free system:	..... Fridge and freezer
Installation typology:	..... Free-standing



<sup>1</sup> Scale of Energy Efficiency Classes from A to G

## Series 4, Free-standing fridge-freezer with freezer at bottom, 203 x 60 cm, Stainless steel look, Total No Frost KGN392LAGG

### No Frost bottomfreezer : no need to defrost your freezer

- Twin No Frost (RC + FC), Fridge freezer
- Standard door Stainless steel look

#### Performance and Consumption

- EU19\_EEK\_D: A
- Total Volume : 363 l
- Annual Energy Consumption: 112 kWh/a
- EU19\_Fast freezer facility\_D
- Noise Level : 29 dB , EU19\_Noise emission class\_D: A

#### Functions

- Stainless steel look doors and Pearl grey (VZF 07127) side panels
- White glossy back wall
- Integrated vertical handle
- Bright interior LED fridge light in fridge section

#### Design features

- NO\_FROST\_NEU\_BL, never have to defrost ever again
- Separate, electronic temperature control with LED display
- Two separate cooling circuits allow independent temperature control and prevents the transference of humidity between the fridge and freezer cavity
- Super Cooling: automatic deactivation
- SuperFreeze function with automatic deactivation
- Optical and acoustical
- Freezer malfunction warning signal: optical and acoustical warning system

#### Design features

- Net Fridge Volume : 260 l
- MultiAirflow system - improves circulation of air around the fridge
- 5 safety glass shelves of which 3 are height adjustable
- Metal bottle rack
- Door shelves in fridge door: 1 large and 3 small.

#### Freshness System

##### Food freshness system

- Net Freezer Volume : 103 l
- Freezing capacity 24h : 10 kg
- Temperature rise time : EU19\_Temperature rise time\_D: 21 H
- 3 freezer drawers

#### Dimension and installation

- Dimensions: 203 cm H x 60 cm W x 66.5 cm D

#### Key features - Fridge section

- Right hinged door, door reversible
- Height adjustable front feet
- 220 - 240 V
- Climate Class: SN-T
- Length of power cord: 210 cm

#### Key features - Freezer section

- 3 x egg tray, 1 x ice cube tray

#### Country Specific Options

- Based on the results of the standard 24-hour test. Actual consumption depends on usage/position of the appliance.

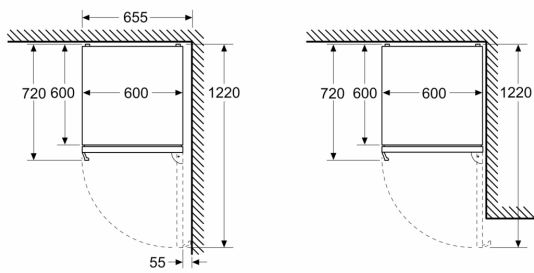
#### Design features

#### Dimension and installation

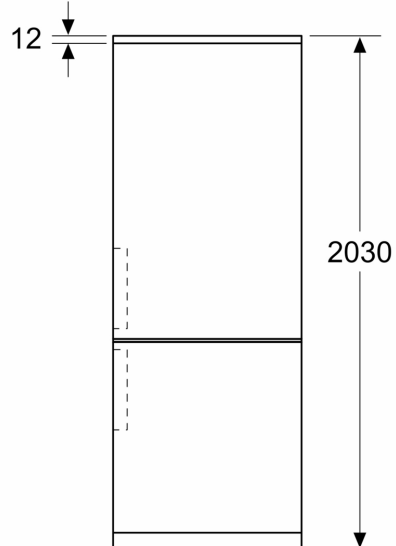
#### Additional features

**Series 4, Free-standing fridge-freezer  
with freezer at bottom, 203 x 60 cm,  
Stainless steel look, Total No Frost  
KGN392LAGG**

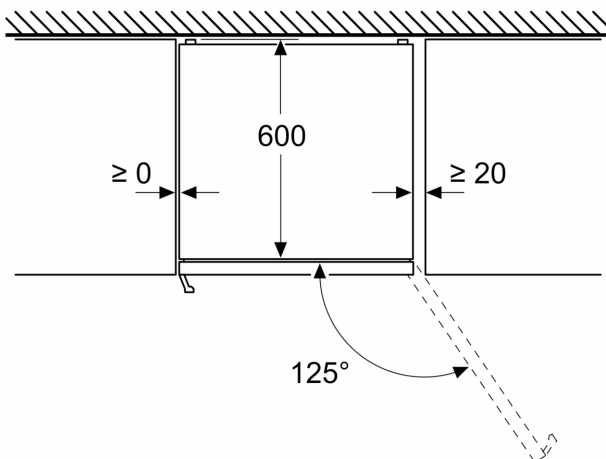
Measurements in mm



Measurements in mm



Measurements in mm



Measurements in mm

