

**Series 4, Free-standing fridge-freezer with freezer at bottom, 186 x 60 cm, White, Total No Frost KGN362WDFG**



**No Frost bottomfreezer : no need to defrost your freezer**

- **VitaFresh XXL <0°C>**: keeps food fresh for longer in extra-large climate-controlled fridge drawers.
- **Perfect Fit**: place your appliance right next to walls or in a niche.
- **Quiet appliances**: enjoy a calm and relaxing home.
- **Multi Airflow System**: even air distribution for longer freshness.
- **LED lighting**: all your items in perfect view.

**Technical Data**

Energy Efficiency Class <sup>1</sup> : .....	D
Average annual energy consumption in kilowatt hour per year (kWh/a): .....	199 kWh/annum
Sum of volume of frozen compartments: .....	103 l
Sum of volume of chill compartments: .....	218 l
Airborne acoustical noise emissions : .....	35 dB(A) re 1pW
Airborne acoustical noise emission class: .....	B
Built-in / Free-standing: .....	Freestanding
Door panel options: .....	Not possible
Height: .....	1860 mm
Width of the appliance: .....	600 mm
Depth: .....	665 mm
Net weight: .....	64.2 kg
EAN code: .....	4242005281640
Fuse protection: .....	13 A
Door hinge: .....	Right reversible
Voltage: .....	220-240 V
Frequency: .....	50 Hz
Length electrical supply cord: .....	231 cm
Number of compressors: .....	1
Number of independent cooling systems: .....	2
Interior ventilator: .....	No
Reversible Door Hinge: .....	Yes
Number of Adjustable Shelves in fridge compartment: .....	2
Shelves for Bottles: .....	Yes
Frost free system: .....	Fridge and freezer
Installation typology: .....	Free-standing



<sup>1</sup> Scale of Energy Efficiency Classes from A to G

## **Series 4, Free-standing fridge-freezer with freezer at bottom, 186 x 60 cm, White, Total No Frost KGN362WDFG**

### **No Frost bottomfreezer : no need to defrost your freezer**

- Freezing drawers (Stck): 3
- Number of freezing flaps (Stck): 0
- No. of ice cube trays: 1

#### **Connectivity**

<sup>1</sup> Scale of Energy Efficiency Classes from A to G

<sup>2</sup> Scale of Energy Efficiency Classes from A to G

#### **Highlights**

- Dimensions: 1860x600x665 mm
- Energy Efficiency Class<sup>1</sup>: D
- Never defrost again with Full NoFrost
- Sum of volume of chill compartments: 218 l
- Sum of volume of frozen compartments: 103 l
- Airborne acoustical noise emissions : 35 dB(A) re 1pW
- Freshness system: VitaFresh
- Warning signal / malfunction: Both visual and audible

#### **General**

- Colour of appliance: White
- Color / Material body: White
- Door hinge: Right reversible
- Door handle type: integrated vertical handle
- Automatic defrosting: Total No Frost
- Type of control setting devices: Button
- Energy Efficiency Class<sup>2</sup>: D
- Average annual energy consumption in kilowatt hour per year (kWh/a): 199 kWh/annum
- Sum of volume of chill compartments: 218 l
- Sum of volume of frozen compartments: 103 l
- Airborne acoustical noise emissions : 35 dB(A) re 1pW
- Airborne acoustical noise emission class: B
- Climate Class: Extended temperate, Subtropical, Temperate, tropical
- Included accessories: 1 x ice cube tray

#### **Size and weight**

- Dimensions: 1860x600x665 mm
- Dimensions of the packed product (HxWxD): 1925x660x780 mm
- Net weight: 64.2 kg
- Length electrical supply cord: 231 cm

#### **Comfort**

- Freshness system: VitaFresh
- SuperCooling
- superFreezing
- Type of bottle rack: 1 bottle support grid
- Silence

#### **Cooling**

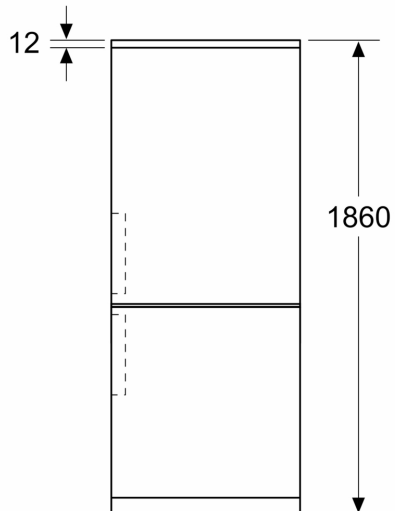
- Number of shelves in fridge compartment: 4
- Number of Adjustable Shelves in fridge compartment: 2
- Number of Door Bins - Refrigerator: 3
- Light Wattage - Refrigerator: LED with soft start

#### **Freezing**

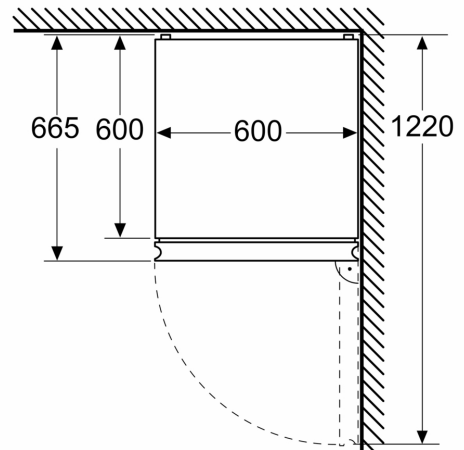
- Star Rating: 4
- Storage Period in Event of Power Failure (h): 14 h

**Series 4, Free-standing fridge-freezer  
with freezer at bottom, 186 x 60 cm,  
White, Total No Frost  
KGN362WDFG**

Measurements in mm



Measurements in mm



Measurements in mm

