

Series 4, Free-standing fridge-freezer with freezer at bottom, 186 x 60 cm, Stainless steel look KGN362LDFG



No Frost bottomfreezer : no need to defrost your freezer

- **VitaFresh XXL <0°C>**: keeps food fresh for longer in extra-large climate-controlled fridge drawers.
- **Perfect Fit**: place your appliance right next to walls or in a niche.
- **Quiet appliances**: enjoy a calm and relaxing home.
- **Multi Airflow System**: even air distribution for longer freshness.
- **LED lighting**: all your items in perfect view.

Technical Data

Energy Efficiency Class ¹ :	D
Average annual energy consumption in kilowatt hour per year (kWh/a):	199 kWh/annum
Sum of volume of frozen compartments:	103 l
Sum of volume of chill compartments:	218 l
Airborne acoustical noise emissions :	35 dB(A) re 1pW
Airborne acoustical noise emission class:	B
Built-in / Free-standing:	Freestanding
Door panel options:	Not possible
Height:	1860 mm
Width of the appliance:	600 mm
Depth:	665 mm
Net weight:	64.7 kg
EAN code:	4242005281589
Fuse protection:	13 A
Door hinge:	Right reversible
Voltage:	220-240 V
Frequency:	50 Hz
Length electrical supply cord:	231 cm
Number of compressors:	1
Number of independent cooling systems:	2
Interior ventilator:	No
Reversible Door Hinge:	Yes
Number of Adjustable Shelves in fridge compartment:	2
Shelves for Bottles:	Yes
Frost free system:	Fridge and freezer
Installation typology:	Free-standing



¹ Scale of Energy Efficiency Classes from A to G

Series 4, Free-standing fridge-freezer with freezer at bottom, 186 x 60 cm, Stainless steel look KGN362LDFG

- 4 safety glass shelves of which 2 are height adjustable

No Frost bottomfreezer : no need to defrost your freezer

- Total Volume : 321 l

Performance and Consumption

- EU19_EEK_D: D
- Net Fridge Volume : 218 l
- Net Freezer Volume : 103 l
- Freezing capacity 24h : 9.5 kg
- Annual Energy Consumption: 199 kWh/a
- Climate Class: SN-T
- EU19_Fast freezer facility_D
- Noise Level : 35 dB , EU19_Noise emission class_D: B
- Temperature rise time : EU19_Temperature rise time_D: 14 H
- Twin No Frost (RC + FC), Fridge freezer

Design features

- Stainless steel look doors and Pearl grey (VZF 07127) side panels
- Integrated vertical handle
- Bright interior LED fridge light in fridge section
- NO_FROST_NEU_BL, never have to defrost ever again
- Separate, electronic temperature control with LED display
- Two separate cooling circuits allow independent temperature control and prevents the transference of humidity between the fridge and freezer cavity
- Super Cooling: automatic deactivation
- Optical and accoustical
- Freezer malfunction warning signal: optical and accoustical warning system

Food freshness system

- MultiAirflow system - improves circulation of air around the fridge
- 1 VitaFresh drawer - Fish and meat stay fresh for longer
- 1 VitaFresh drawer with humidity control - Fruits and vegetables retain vitamins and stay fresh for longer

Dimension and installation

- Right hinged door, door reversible
- Dimensions: 186 cm H x 60 cm W x 66.5 cm D
- Height adjustable front feet
- 220 - 240 V

Key features - Fridge section

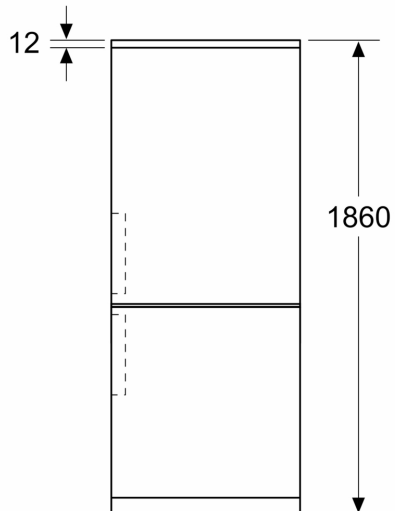
- 4 safety glass shelves (2 height adjustable)
- Metal bottle rack
- White glossy back wall
- Door shelves in fridge door: 1 large and 2 small.
- 1 x ice cube tray

Key features - Freezer section

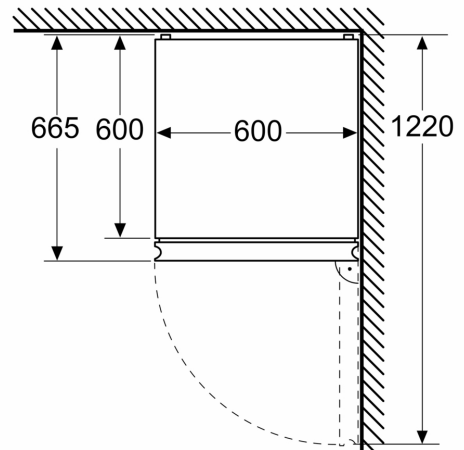
- 3 freezer drawers
- Based on the results of the standard 24-hour test. Actual consumption depends on usage/position of the appliance.

**Series 4, Free-standing fridge-freezer
with freezer at bottom, 186 x 60 cm,
Stainless steel look
KGN362LDFG**

Measurements in mm



Measurements in mm



Measurements in mm

