

Series 8, French door bottom freezer, multi door, 183 x 90.5 cm, Brushed steel anti-fingerprint KFF96PIEP



- **XXL capacity:** extra space for your food when you need it.
- **Ice dispenser:** Mains water connection to ensure ice cubes are always ready when you need them.
- **VitaFresh pro:** keeps food fresh for longer thanks to optimal climate control and +0°C technology.
- **No Frost:** never defrost again, thanks to perfect protection from ice formation - that saves time and effort.
- **Multi Airflow System:** even air distribution for longer freshness.

Energy Efficiency Class:	E
Average annual energy consumption in kilowatt hour per year (kWh/a):	333 kWh/annum
Sum of volume of frozen compartments:	171 l
Sum of volume of chill compartments:	402 l
Airborne acoustical noise emissions :	39 dB(A) re 1pW
Airborne acoustical noise emission class:	C
Built-in / Free-standing:	Freestanding
Door panel options:	Not possible
Height:	1830 mm
Width of the appliance:	905 mm
Depth:	706 mm
Net weight:	153.6 kg
Fuse protection:	10 A
Door hinge:	Other
Voltage:	220-240 V
Frequency:	50-60 Hz
Length electrical supply cord:	240.0 cm
Number of compressors:	2
Number of independent cooling systems:	2
Interior ventilator:	Yes
Reversible Door Hinge:	No
Number of Adjustable Shelves in fridge compartment:	4
Shelves for Bottles:	Yes
Frost free system:	Fridge and freezer
Installation typology:	Free-standing



Series 8, French door bottom freezer, multi door, 183 x 90.5 cm, Brushed steel anti-fingerprint KFF96PIEP

- flexible bar

Design features

- Standard door Stainless Steel EasyClean
- Standard door
- Stainless Steel EasyClean door and chrome inox metallic side panels.
- Bright interior LED fridge light in fridge section
- Interior design with metal applications
- 3 x 7 segment
- Super Cooling: automatic deactivation
- Automatic defrost fridge
- Holiday mode - saves energy when you're away a longer period of time, Sabbath Mode
- optical, acoustic for Fridge and Freeze

Food freshness system

- AirFreshFilter with AntiBacterial filter to reduce odours and bacteria
- MultiAirflow system - improves circulation of air around the fridge

Key features - Fridge section

- VitaFresh pro: keeps fruit, vegetables, fish and meat fresher for longer.
- 4 safety glass shelves of which 4 are height adjustable, Dividable glass shelf 2 shelves extendable
- Dividable glass shelf
- Door shelves in fridge door: 2 large and 3 small.
- 1 dairy compartment in door
- cartridge for water filtering system
- Metal backwall
- Water dispenser: yes, direct conn.water-tap

Dimension and installation

- Dimensions: 183 cm H x 90.5 cm W x 70.6 cm D
- 4 wheels for easier transport, 3 of them height adjustable.
- 220 - 240 V

Key features - Freezer section

- Freezer malfunction warning signal: optical and acoustical
- Automatic ice cube maker
- 3 freezer drawers
- Freezer malfunction warning signal: optical and acoustical warning system
- Based on the results of the standard 24-hour test. Actual consumption depends on usage/position of the appliance.
- To achieve the declared energy consumption, the distanceholders have to be used. As a result, the appliance depth increases by about 3.5 cm. The appliance used without the distance holder is fully functional, but has a slightly higher energy consumption.

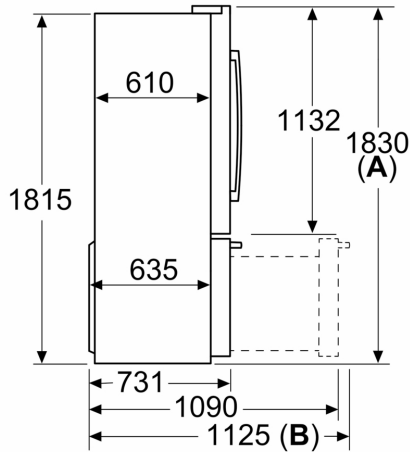
Performance and Consumption

- EU19_EEK_D: E
- Total Volume : 573 l
- Net Fridge Volume : 402 l

- Net Freezer Volume : 171 l
- Net 4* compartment volume : 171 l
- Freezing capacity 24h : 15 kg
- Annual Energy Consumption: 333 kWh/a
- Climate Class: SN-T
- EU19_Fast freezer facility_D
- Noise Level : 39 dB , EU19_Noise emission class_D: C

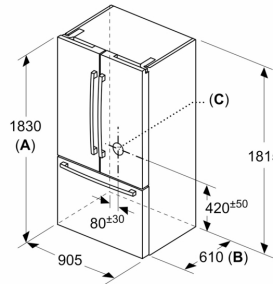
Series 8, French door bottom freezer, multi door, 183 x 90.5 cm, Brushed steel anti-fingerprint KFF96PIEP

measurements in mm



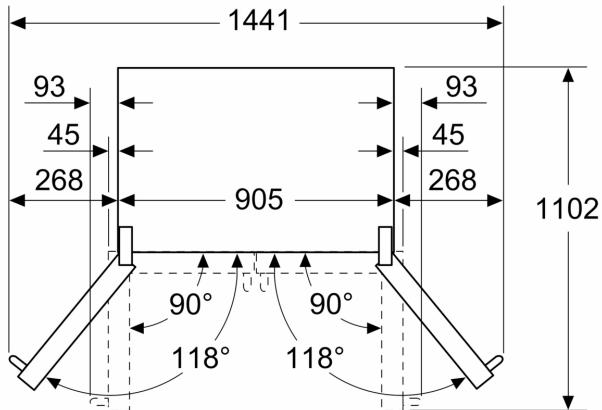
A: Front is adjustable from 1830 to 1847, with front levelling feet fully extended
B: With handle

measurements in mm

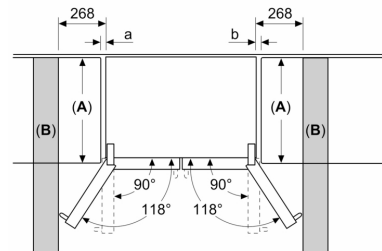


A: Front is adjustable from 1830 to 1847, with front levelling feet fully extended
B: Add 25 for fixed spacers on back
C: Water connection position

Measurements in mm



Measurements in mm



A	a	b
≤ 600	3	3
600 < A ≤ 650	45	45
650 < A ≤ 700	60	60
> 700	268	268

A: Kitchen cabinet or worktop depth
B: Wall
 Drawers can be pulled and taken out with door open to 90°