

**iQ700, French Door Bottom Glass,
183 x 90.5 cm, Black
KF96RSBEA**



- ✓ The glassDoor series brings effortless elegance to your kitchen.
- ✓ The iceTwister for ice cubes on demand. Easy to refill.
- ✓ LED light – Even lighting throughout the inside of your fridge to keep everything in view.
- ✓ safetyGlass shelves – Extra strong and easy to clean.
- ✓ superCooling: faster cooling for fresh food.

Energy Efficiency Class:	E
Average annual energy consumption in kilowatt hour per year (kWh/a):	320 kWh/annum
Sum of volume of frozen compartments:	171 l
Sum of volume of chill compartments:	401 l
Airborne acoustical noise emissions :	39 dB(A) re 1pW
Airborne acoustical noise emission class:	C
Built-in / Free-standing:	Freestanding
Door panel options:	Not possible
Height:	1830 mm
Width of the appliance:	905 mm
Dimensions:	736 mm
Weight:	172.7 kg
Fuse protection:	10 A
Door opening:	Other
Nominal power:	220-240 V
Frequency:	50-60 Hz
Length electrical supply cord:	240.0 cm
Number of compressors:	2
Number of independent cooling systems:	2
Interior ventilator:	Yes
Reversible Door Hinge:	No
Number of Adjustable Shelves in fridge compartment:	4
Shelves for Bottles:	No
Frost free system:	Fridge and freezer
Installation type:	Freestanding



iQ700, French Door Bottom Glass, 183 x 90.5 cm, Black KF96RSBEA

Performance and Consumption

- EU19_EEK_D: E
- Total Volume : 572 l
- Net Fridge Volume : 401 l
- Net Freezer Volume : 171 l
- Net 4* compartment volume : 171 l
- Freezing capacity 24h : 14 kg
- Annual Energy Consumption: 320 kWh/a
- Climate Class: SN-T
- Noise Level : 39 dB , EU19_Noise emission class_D: C
- EU19_Fast freezer facility_D

Design features

- Black Gloss doors and cast iron side panels
- Bright interior LED fridge light in fridge section
- Lightning backwall
- Light position in cooler: Top and backwall and side
- Interior design with metal applications
- LED display for fridge and freezer
- Super Cooling: automatic deactivation
- Holiday mode
- optical, Acoustic open door warning system

Food freshness system

- multiAirflow cooling - improves circulation of air around the fridge
- AirFresh filter with AntiBacterial filter to neutralise odours and reduce bacteria growth

Key features - Fridge section

- 5 PC bottle shelves for 0,75 l
- 1 vegetable/salad containers
- Automatic defrost in fridge section
- 1 dairy compartment in door
- Door shelves in fridge door: 2 large and 3 small.

Key features - Freezer section

- Freezer malfunction warning signal: optical, acoustical
- 3 freezer drawers
- Twist ice box

Dimension and installation

- 220 - 240 V
- Dimensions: 183 cm H x 90.5 cm W x 73.6 cm D
- 4 wheels for easier transport, 3 of them height adjustable.

Design features

Design features

Freshness System

- 3 x egg tray

Country Specific Options

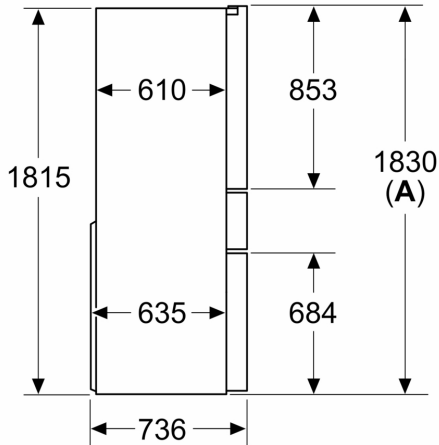
- Based on the results of the standard 24-hour test. Actual

consumption depends on usage/position of the appliance.

- To achieve the declared energy consumption, the attached distanceholders have to be used. As a result, the appliance depth increases by about 3.5 cm. The appliance used without the distance holder is fully functional, but has a slightly higher energy consumption.
- Beverage centre with predefined temperature settings and option for individual settings through Home Connect App
- 5 safety glass shelves of which 4 are height adjustable

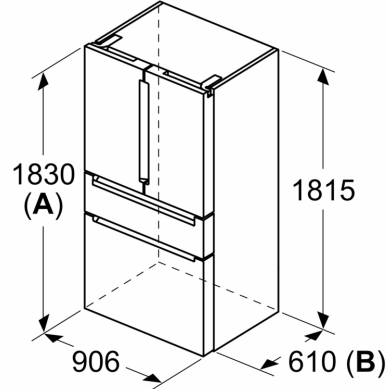
**iQ700, French Door Bottom Glass,
183 x 90.5 cm, Black
KF96RSBEA**

Measurements in mm



A: Front is adjustable from 1830 to 1847 mm, with front levelling feet fully extended

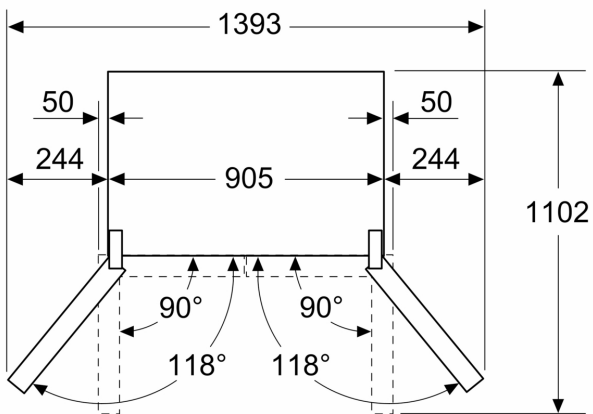
Measurements in mm



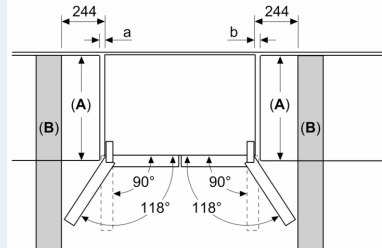
A: Front is adjustable from 1830 to 1847 mm, with front levelling feet fully extended

B: Add 25 mm for fixed spacers on back

Measurements in mm



Measurements in mm



A	a	b
≤ 600	0	0
600 < A ≤ 650	50	50
650 < A ≤ 700	65	65
> 700	244	244

A: Kitchen cabinet or worktop depth

B: Wall
Drawers can be pulled and taken out with door open to 90°