

Montpellier

THE PERFECT BALANCE OF FUNCTION AND STYLE
LAUNDRY - DISHWASHING - COOKING - COOLING

Installation and Operating Instructions



65ltr Single Fan Oven
MSBFO65B - Black

Please read these instructions carefully before attempting to install or use this appliance.
We recommend that you keep these instructions in a safe place for future reference.

Welcome

Thank you for choosing this Montpellier appliance.

Our appliances have been designed to provide you with the best combination of style, reliability and performance to give you years of trouble-free use.

You may be familiar with a similar product, but please take time to read these instructions carefully before installing or using your appliance to ensure you get the most from your purchase.



2
YEAR
GUARANTEE
— PARTS & LABOUR —
ACROSS ALL OUR MODELS
Montpellier
www.montpellier-appliances.com

We recommend that you keep this manual in a safe place for future reference.

Your appliance is covered by a comprehensive two year Parts & Labour Guarantee. In the unlikely event that you experience a problem with your appliance, you can rest assured that you are fully protected against the cost of repairs for the first 24 months. Please note that any claim must be accompanied by the model reference number, serial number and proof of purchase.

To activate your guarantee, you will need your product serial number. This can be found inside your appliance.

NB: Please make sure that you keep a copy of your original sales invoice as this will be needed if any service call is required.

There are three ways to register your Guarantee:

- **Online:** Visit the Support page on our website and complete the online Product Registration form. www.montpellier-appliances.com
- **By Post:** Simply detach and fill in the form provided, attach a stamp and send it in the post. Don't forget to include your e-mail address so that we can send confirmation through to you.
- **By Phone:** Contact our warranty registration department on **0808 1961388**

Thank you for choosing this product.

This User Manual contains important safety information and instructions on the operation and maintenance of your appliance.

Please take the time to read this User Manual before using your appliance and keep this book for future reference.

The design and specifications are subject to change without prior notice for product improvement.

CONTENTS

IMPORTANT SAFETY INSTRUCTIONS		1
PRODUCT INSTALLATION	Cupboard diagram (Standing Cupboard)	4
	Cupboard diagram (Ground Cupboard)	5
	Installation Important Instructions	6
	Installation steps	7
PRODUCT INTRODUCTION	Oven	8
	Accessories	8
	Accessories use	9
	Control panel	10
	Before using for the first time Regular operation	11
	Mode setting	12
	Manual mode	12
	Minute minder	12
CLEANING AND MAINTENANCE	Cleaning	13
	Lamp replacement	13
TROUBLESHOOTING		14
SPECIFICATIONS		14
PRODUCT RECYCLING		15
HERE FOR YOU		16

IMPORTANT SAFETY INSTRUCTIONS

THESE WARNINGS ARE PROVIDED IN THE INTEREST OF SAFETY. PLEASE READ THEM CAREFULLY BEFORE INSTALLING OR USING THE APPLIANCE.

To maintain the EFFICIENCY and SAFETY of this appliance, we recommend:

Call only the Service Centers authorized by store where you buy the cooker

Always use original Spare Parts

- When the oven is first switched on, it may give off an unpleasant smell. This is due to the bonding agent used for the insulating panels within the oven. Please run the new empty product with the conventional cooking function, 250°C, 90 minutes to clean oil impurities inside the cavity.
- During the first use, it is completely normal that there will be slight smoke and door. If it does occur, you should wait for the smell to be cleared before putting food into the oven.
- Please use the product under an open environment.
- The appliance and its accessible parts become hot during use. Care should be taken to avoid touching heating elements. Children less than 8 years of age shall be kept away unless continuously supervised.
- If the surface is cracked, switch off the appliance to avoid the possibility of electric shock.
- This appliance can be used by children aged from 8 years and above and persons with reduced physical, sensory or mental capabilities or lack of experience and knowledge if they have been given supervision or instruction concerning use of the appliance in a safe way and understand the hazards involved. Children shall not play with the appliance. Cleaning and user maintenance shall not be made by children without supervision.
- During use, the appliance becomes very hot. Care should be taken to avoid touching heating elements inside the oven.
- Do not allow children to go near the oven when it is operating, especially when the grill is on.

- Ensure that the appliance is switched off before replacing the oven lamp to avoid the possibility of electric shock.
- The means for disconnection must be incorporated in the fixed wiring in accordance with the wiring specifications.
- Children should be supervised to ensure that they do not play with the appliance.
- This appliance is not intended for use by persons (including children) with reduced physical, sensory or mental capabilities, or lack of experience and knowledge, unless they have been given supervision or instruction concerning use of the appliance by person responsible for their safety.
- Accessible parts may become hot during use. Young children should be kept away.
- An all-pole disconnection means must be incorporated in the fixed wiring in accordance with the wiring rules.
- If the supply cord is damaged, it must be replaced by the manufacturer, its service agent or similarly qualified persons in order to avoid a hazard.
- Do not use harsh abrasive cleaners or sharp metal scrapers to clean the oven door glass since they can scratch the surface, which may result in shattering of the glass.
- A steam cleaner is not to be used.
- The appliance is not intended to be operated by means of an external timer or a separate remote control system and should not be used with any kind of extension lead.
- The instructions for ovens that have shelves shall include details indicating the correct installations of the shelves.
- Do not use the oven unless you are wearing something on your feet. Do not touch the oven with wet or damp hands or feet.
- For oven: Oven door should not be opened often during the cooking period.
- The appliance must be installed by an authorized technician and put into use. The producer is not responsible for any damage that might be caused by defective placement, and installation by unauthorized personnel.

- When the door or drawer of oven is open do not leave anything on it, or you may unbalance your appliance or break the door.
- Some parts of appliance may keep its heat for a long time; it is required to wait for it to cool down before touching onto the points that are exposed to the heat directly.
- If you will not use the appliance for a long time, it is advised to plug it off.

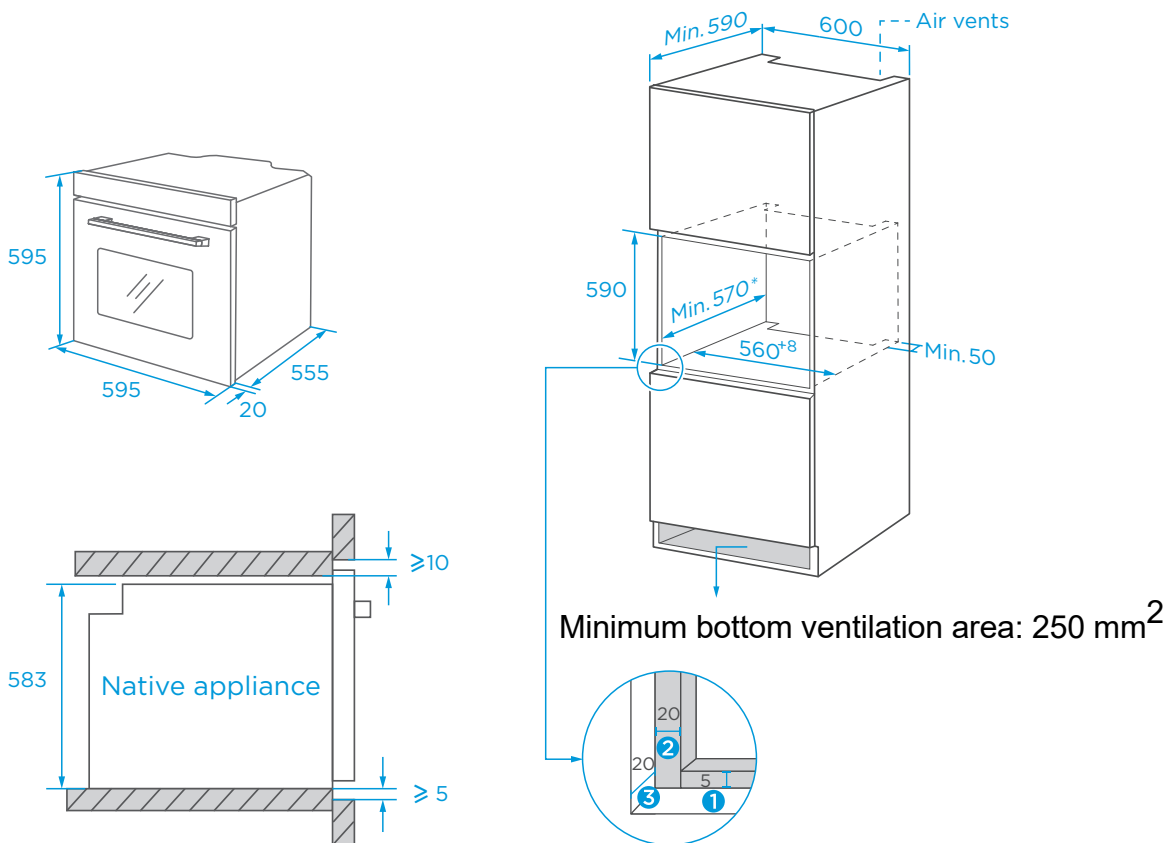
DECLARATION OF COMPLIANCE

When you have unpacked the oven, make sure that it has not been damaged in any way. If you have any doubts at all, do not use it: contact a professionally qualified person. Keep packing materials such as plastic bags, polystyrene, or nails out of the reach of children because these are dangerous to children.

PRODUCT INSTALLATION

If there is any discrepancy between the illustration and the actual product, please refer to the actual product.

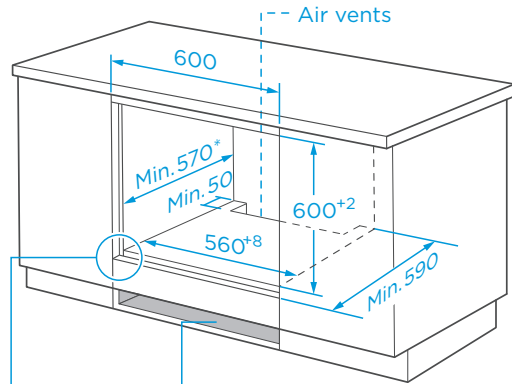
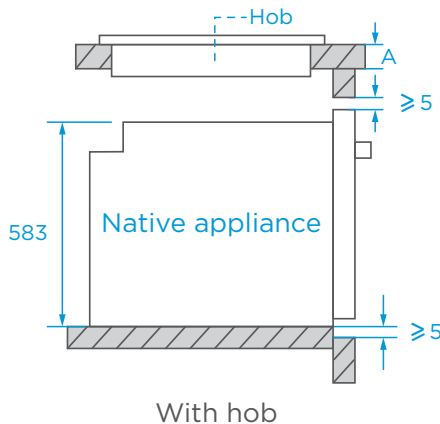
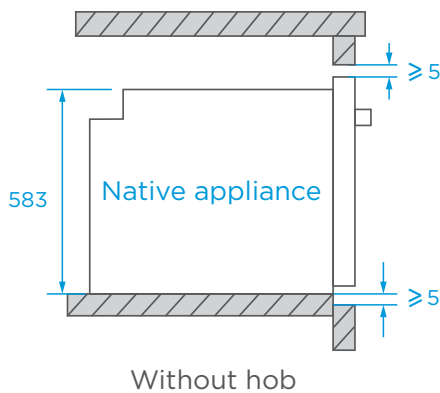
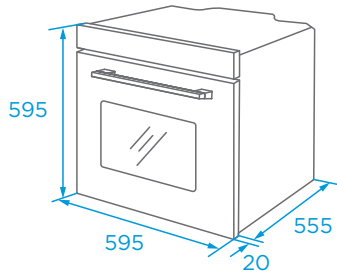
Cupboard diagram (Standing Cupboard)



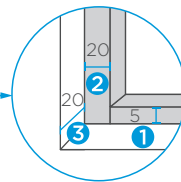
- 1 Reserve 5 mm for the door panel at the top and bottom respectively.
- 2 Reserve 20 mm for the door panel on the left and right respectively.
- 3 Reserve 20 mm for the door panel in thickness.

- 1 The thickness of the cupboard board is 20 mm.
- 2 If the power socket is installed on the back of the appliance, the depth of the cupboard opening shall be increased from a minimum of 590 mm to 620 mm.
- 3 The dimensions in the figures are in mm.

Cupboard diagram (Ground Cupboard)



Minimum bottom ventilation area: 250 mm²



- ❶ Reserve 5 mm for the door panel at the top and bottom respectively.
- ❷ Reserve 20 mm for the door panel on the left and right respectively.
- ❸ Reserve 20 mm for the door panel in thickness.

If the appliance is installed under the hob, the minimum thickness of worktop A is shown below:

Hob type	worktop A
Induction hob	37 mm
Full-surface induction hob	47 mm
Gas hob	30 mm
Electric hob	27 mm

- ❶ The thickness of the cupboard board is 20 mm.
- ❷ If the power socket is installed on the back of the appliance, the depth of the cupboard opening shall be increased from a minimum of 590 mm to 620 mm.
- ❸ The dimensions in the figures are in mm.

Installation Important Instructions

Content that means [mandatory]

- The safe operation of this appliance can only be guaranteed if it has been installed to a professional standard in accordance with these installation instructions. The installer shall be liable for any damage resulting from incorrect installation.
- The entire installation process requires two professional installers. Wear dry protective gloves during installation to avoid scratch or electric shock.
- Fitted units must be heat-resistant up to 90°C, and adjacent unit fronts up to 70°C.
- Please use a 13A plug and standard 13A switched socket.

Content that means [prohibit]

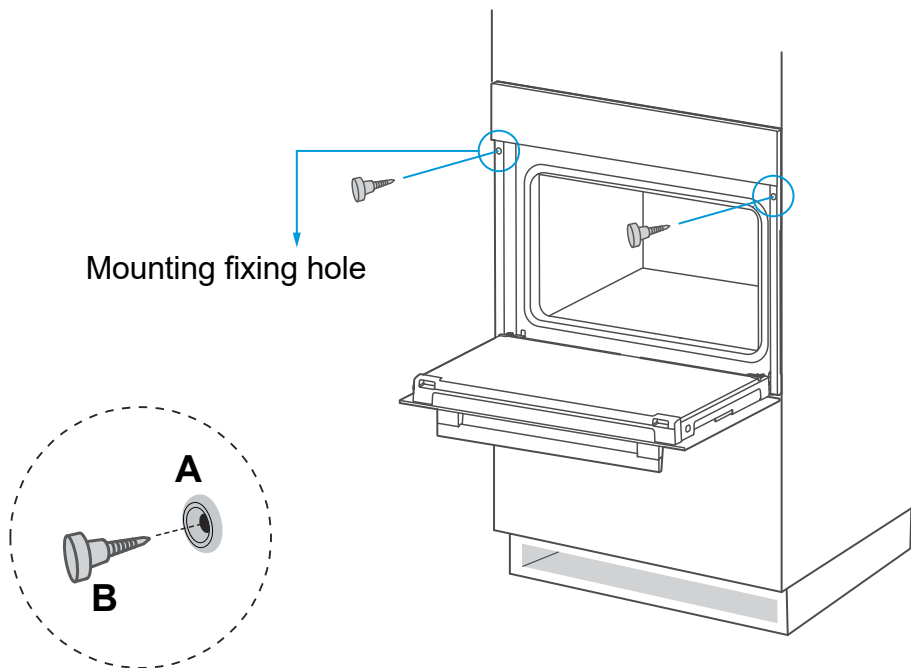
- Do not install the appliance behind a decorative door or the door of a kitchen unit, as this may cause the appliance to overheat.
- Check the appliance for damage after unpacking it. Do not connect the appliance if it has been damaged in transit.
- Do not block the vent of the appliance and the gap between the cupboard and the appliance.
- Use extreme caution when moving or installing the appliance. It is very heavy, do not lift the appliance by the door handle.
- If the power cord or power plug is damaged, stop using the appliance immediately, to avoid fire, electric shock or other injuries.

Content that means [note]

- Be very careful when moving or installing the appliance to avoid damage to the appliance or damage to the cupboards.
- Before starting up the appliance, remove all packaging materials and accessories from the cavity.
- The power socket shall be accessible to users (such as next to the cupboard) for easy power-off.
- After installation is complete, make sure that the power plug is firmly inserted into the socket.
- Please refer to the "Cupboard Diagram" for the requirements of net depth of the cupboard. The clearance between the cupboard bottom board and the rear board (or wall) shall not be less than 50 mm.

Installation steps

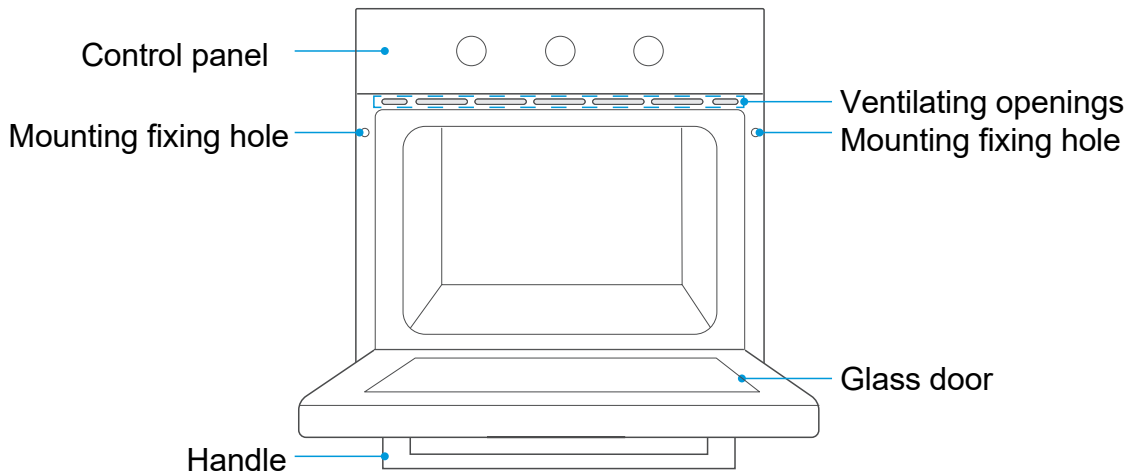
- Please customize the cupboard according to the "Cupboard Diagram".
- Before installation, please check for normal power socket and appropriate grounding, and check whether the cupboard dimension meets the installation requirements.
- Place the appliance in designated locations in the kitchen, install it in a vertical cupboard, and connect the power supply.
- To locate the mounting fixing holes, open the appliance door and look at the side frame of the appliance (position shown below).
- Fix the appliance to the cupboard with two rubber plugs A and screws B provided with the appliance.



PRODUCT INTRODUCTION

Oven

When removing food, please wear heat insulating gloves to prevent burns! At the moment of opening the door of the oven, pay attention to the heat/steam. Please open the door at a small angle to avoid the heat/steam burning your face.

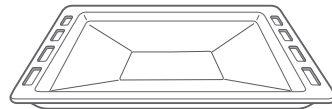


Accessories



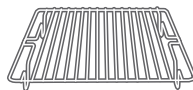
Shelf / Grill rack

Place heat-resistant cooking containers or Grill food



Grill / Baking tray

Cook large portions of food or catch food scraps

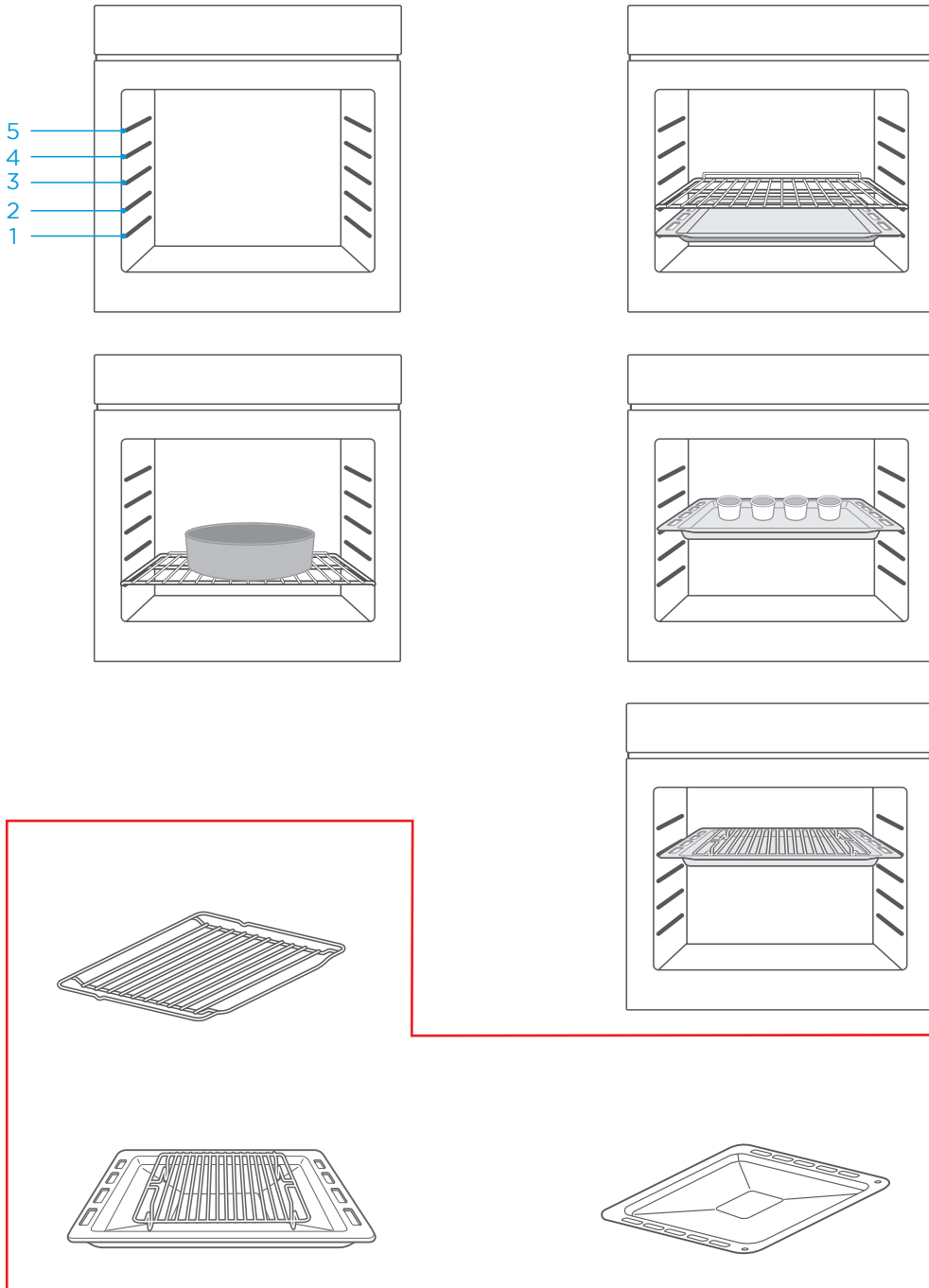


Small grill rack

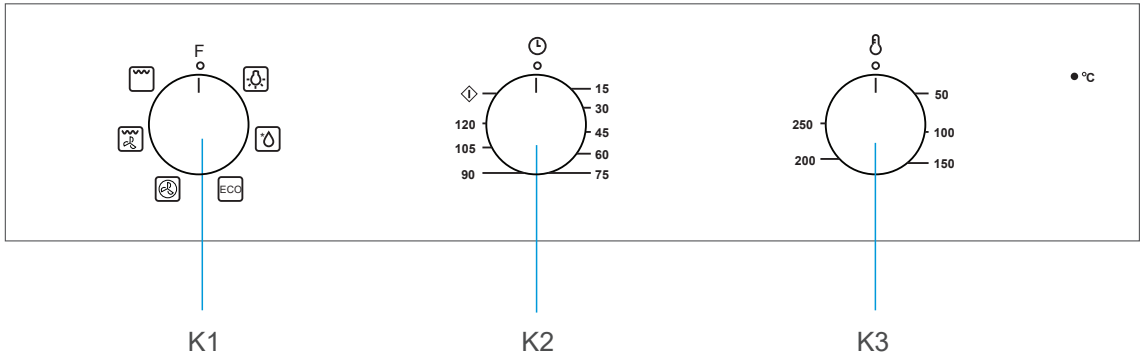
Cook smaller portions of food

Accessories use







For the oven to work properly, the accessories should only be placed between the first and fifth levels. Never cook with anything placed on the base of the oven. When used together, place the Grill tray under the grill rack. For regular grilling use the Grill tray and small grill rack together.



Control panel




- K1: For selecting oven functions.
 K2: For setting cook/timer
 K3: For setting the temperature.

Function	Function introduction
 Lamp	The cooking process can be observed under illuminated conditions. Except ECO function.
 Defrost	The circulation of air at room temperature enables quicker thawing of frozen food (without the use of any heat).
 Fan Oven	In convection mode, the fan turns on automatically to provide even heat for single or multi-layer baking. This is particularly suitable for baking foods that require even coloring.
 Single grill with fan	The radiant heating element is working with the fan.
 Single grill	The inner grill element switches on and off to maintain temperature. Can be used to grill a small amount of food.
 ECO	For energy-saving cooking. Cooking the selected ingredients in a gentle manner, and the heat comes from the top and the bottom.

NOTE: ALL cooking functions are to be carried out with the door closed!

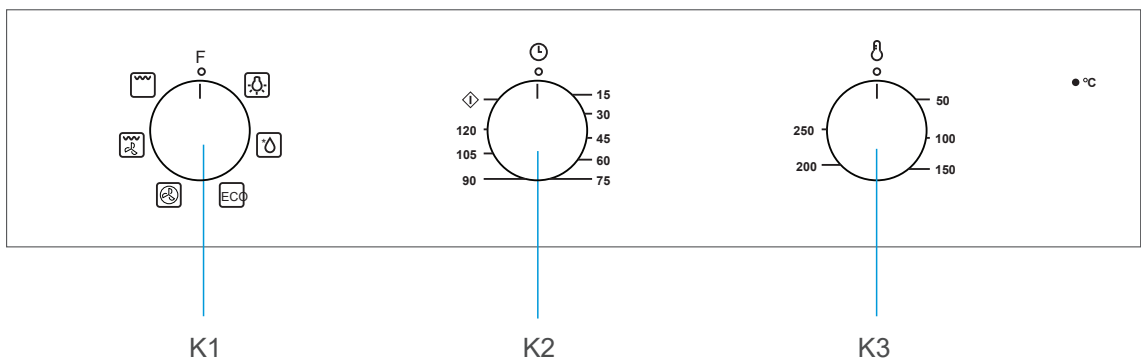
Before using for the first time

- The oven must not be operated until it has been correctly installed.
- To avoid fire, remove all transport protection materials and ensure that the oven is free of residual packaging items and accessories (e.g. foam, cardboard, grill tray, grill rack, etc.).
- Clean the oven cavity and accessories with soapy water and a soft cloth.
- Open kitchen windows and operate cooker hoods to maintain high ventilation.
- Do not let children or pets into the kitchen and close the doors of adjacent rooms.
- After connecting the power, activate the oven mode, time, and temperature in the table below to remove odors in the cavity.
- After the first use, please open the oven door at a small angle and wait for the cooling to complete.

Function	Temperature	Time
 Fan Oven	250°C	90mins

Regular operation

- Turn knob K1 to select the oven functions.
- Turn knob K2 for Mode setting - Manual / Minute Minder
- Turn knob K3 to adjust the temperature.
- The oven will automatically start cooking after function, mode and temperature are set.
- When cooking is finished, turn all knobs to the "O" position.



Mode setting

Manual mode - the cooking time is controlled by the user.

Minute minder - you can set an audible reminder for the time period of completion.

Manual mode

If you don't need to set the cooking time, turn the timer knob counterclockwise to "⏪" the timer will not return to "0" automatically and the oven will remain in power-on state.

Minute minder

If you need to set the cooking time, turn the timer knob clockwise to the time you need. When the setting cooking time was reached, the timer will return to "0" automatically with the sound of "Ding, Ding, Ding" and the oven will be in power-off state.

NOTE: The oven will not function while in the "0" position even if the function and temperature have been set.

CLEANING AND MAINTENANCE

Cleaning

Disconnect the power supply before cleaning and maintenance. In order to ensure the life of the oven, it should be thoroughly cleaned frequently.

Cleaning steps are as follows:

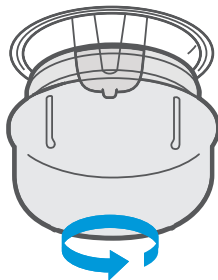
- After cooking, wait for the oven to cool completely.
- Remove oven accessories, rinse with warm water and dry.
- Clean up food debris from the oven chamber.
- Wipe the oven with a soft cloth stained with detergent, then dry with a dry soft cloth.

Notes

- Do not use sharp cleaning tools, hard brush and corrosive cleaning products, so as not to damage the oven and its accessories.
- Do not use rough scrubbing agent or sharp metal spatula to clean the door glass.
- Do not place foil or any objects on the base of the oven while in use as this may damage the oven interior

Lamp replacement

- Switch off and disconnect the power from the oven. Ensure that the internal parts are cool before touching internal parts.
- Remove the lamp cover by turning it counter-clockwise (note, it may be stiff), replace the bulb with a new one of the same type.
- Insert the new bulb, which should be resistant to 300°C. For replacement bulbs contact your local service centre.
- If in any doubt, consult a qualified electrician for help.



Warning

To avoid electric shocks-please ensure that the electricity supply to the appliance is switched off and the appliance is fully cold. before removing the lamp lens.

TROUBLESHOOTING

If the problem cannot be solved or other problems occur, please contact the after-sales service.

Problem	Possible reason	Solution
Unable to start	• Power is not connected	• connect power supply
	• The main power switch is not turned on	• Turn on the power switch
	• Cooking mode is not set	• Check settings
Lamp does not come on	• It's broken	• Contact after-sales service
Has a pungent odor or smoke	• first use	• No processing required
Food is not cooked	• Temperature is too low	• Use a higher temperature
	• Food portion is too large	• Cook food in smaller pieces or extend the cooking time.
Burnt or uneven food	• The temperature is set too high or the heating time is too long	• Adjust the cooking temperature or time
	• The food is too close to the heating tube	• Adjust the placement layers of accessories
The fan did not stop working after stopping the heating	• Fan delays blowing for heat dissipation	• No processing required

SPECIFICATIONS

Model	MSBFO65B
Usable Volume	65L
Rated voltage	220-240V~
Rated frequency	50Hz-60Hz
Electric power	2.1 kW

PRODUCT RECYCLING

This symbol on the product or instruction manual indicates that your device should be disposed of separately from your household waste at the end of its useful life. There is a separate recycling system locally for recycling. For more information, please contact the local authority or retailer where you purchased the product.



When you have unpacked the oven, make sure that it has not been damaged in any way. If you have any doubts at all, do not use it: contact a professionally qualified person. Keep packing materials such as plastic bags, polystyren, or nails out of the reach of children because these are dangerous to children.

Here For You

After-sales assistance

If you continue to experience problems with your appliance, please call the Montpellier customer service helpline on: **03333 234 473**

D`YUgY ` \ Uj Y` U` ` nci f` dfcXi Wñ XYHJ`g` Uj Uj`UV`Yž`]bWi X]b[` ð Y` a cXY` bi a VYfž gYf]U` bi a VYfž cf][]bU` gU`Yg`]bj c]W` fWYUf` mi gl` ck]b[` a cXY` ` bi a VYfžXUH` cZ di fW Ugy` UbX` nci f` fYHJ` Yfřj` XYHJ`g` VYZ`fYfY[]ghřf]b[` UZU` `H`

The service call cannot progress without this information.

Your 2 year Manufacturer's guarantee

THIS DOES NOT AFFECT YOUR STATUTORY RIGHTS.

Your new Montpellier appliance carries a free guarantee which protects you against the cost of repairs during the first 24 months from date of purchase provided that:

Any claim is accompanied by evidence of the model reference, model serial number and proof of purchase, such as a Sales Receipt, showing that the appliance was purchased within the 24 months prior to the date of claim.

What is not covered under the Guarantee

- Any appliance not correctly installed and operated in accordance with the manufacturer's instructions
- Any appliance that is used for anything other than domestic purposes.
Any defect caused by accident, misuse, unauthorised modification or inexperienced repair.
- Cost of Call-out where a fault cannot be found with the appliance.
Cost of Call-out for work covering routine maintenance, such as, but not exclusively, cleaning of filters or defrosting.
- Cost of Call-out for work required to correct the alignment of doors following door reversal procedures carried out by you.
Use of the appliance by anyone other than the Householder.
Use in any commercial environment.
- Consumable items, such as, but not exclusively, fuses in plugs, bulbs and breakable items which require routine replacement.
Repair costs incurred that have not been authorised by Montpellier service and/or carried out by a non-approved Montpellier engineer.
- Montpellier Appliances do not accept claims for consequential loss, rusting, corroding, delivery damage or scratches.

YOUR GUARANTEE IS VALID ONLY IN THE UK & REPUBLIC OF IRELAND

To register your appliance simply complete the card in your appliance pack and return it with a stamp affixed. Alternatively you can register online at www.montpellier-appliances.com/support, \$, \$, % *%, ,

SERVICE HELP-LINE

Should your appliance develop a fault, please call the Montpellier customer service helpline on:

03333 234 473

D`YUgYfYa Ya VYf`tc` \ Uj Y`U` ` nci f` dfcXi WñXYHJ`g` Uj Uj`UV`Yž`]bWi X]b[` ð Y` a cXY` bi a VYfž gYf]U` bi a VYfžXUH`cZdi fW Ugy`UbX`nci f` fYHJ` Yfřj` XYHJ`g` VYZ`fYfY[]ghřf]b[` UZU` `H`

Montpellier Domestic Appliances Ltd.
Unit 1, Tewkesbury Retail Park, Northway Lane,
Tewkesbury, Gloucestershire GL20 8UY

www.montpellier-appliances.com



The symbol on the product or on its packaging indicates that this product may not be treated as household waste. Instead it shall be handed over to the applicable collection point for the recycling of electrical and electronic equipment. By ensuring this product is disposed of correctly, you will help prevent potential negative consequences for the environment and human health, which could otherwise be caused by inappropriate waste handling of this product. For more detailed information about recycling of this product, please contact your local city office, your household waste disposal service or the shop where you purchased the product.