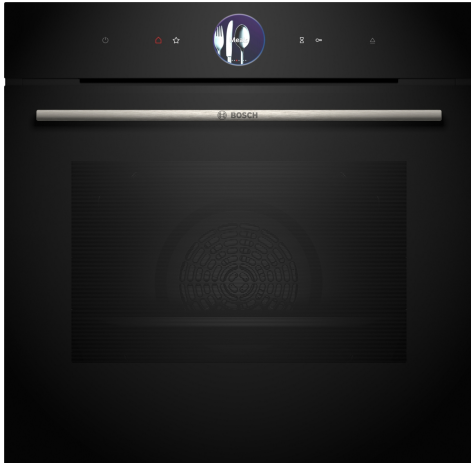


Series 8, Built-in oven with steam function, 60 x 60 cm, Black HSG7364B1B



The built-in steam oven with Digital Control Ring and TFT-touchdisplay. Assist function for meals, PerfectBake Plus, PerfectRoast Plus: for automatically perfect dishes, moist steam baking and gentle steaming. Home Connect for control via the App.

- **Air Fry:** perfectly fry vegetables and chips.
- **TFT Touch Display Plus:** intuitive control with the Digital Control Ring and enlarged TFT touchscreen
- **Perfect Steam:** bake or roast with extra steam for added crispness and moisture.
- **Automatic Switch-off:** stops cooking as soon as the dish is done.
- **Home Connect with Remote Control and Monitoring:** discover the full potential of your smart oven.

Included accessories

1 x grid, 1 x universal pan, size XL, punched, 1 x steam container, unpunched, size M

Optional accessories

- HEZ638D00 Full ext rails, level independent, steam
- HEZ660060 Strip
- HEZ32WA00 Wireless food thermometer
- HEZ530000 Half tray
- HEZ629070 Air Fry & Grill tray

Technical Data

Built-in / Free-standing: Built-in
 Door opening: Drop down
 Required niche size for installation (HxWxD): 585-595 x 560-568 x 550 mm
 Dimensions: 595x594x548 mm
 Dimensions of the packed product (HxWxD): 675x660x690 mm
 Control Panel Material: Glass
 Door Material: Glass
 Net weight: 39.8 kg
 Length electrical supply cord: 120 cm
 EAN code: 4242005327218
 Fuse protection: 16 A
 Voltage: 220-240 V
 Frequency: 50; 60 Hz
 Plug type: no plug (electrical connection by electrician)
 Usable volume (of cavity) - NEW (2010/30/EC): 71 l
 Energy efficiency rating: A+
 Energy consumption per cycle conventional (2010/30/EC): 0.87 kWh/cycle
 Energy consumption per cycle forced air convection (2010/30/EC): 69 kWh/cycle
 Energy efficiency index (2010/30/EC): 81.2 %
 Included accessories: 1 x grid, 1 x universal pan, 1 x steam container, punched, size XL, 1 x steam container, punched, size M, 1 x steam container, unpunched, size M



Series 8, Built-in oven with steam function, 60 x 60 cm, Black HSG7364B1B

The built-in steam oven with Digital Control Ring and TFT-touchdisplay. Assist function for meals, PerfectBake Plus, PerfectRoast Plus: for automatically perfect dishes, moist steam baking and gentle steaming. Home Connect for control via the App.

Features

- Combi-steam oven with 21 heating methods: conventional top and bottom heat, full width variable grill, half width grill, bottom heat, low temperature cooking, plate warming, keep warm, Conventional heat gentle, Steam cooking, reheating with steam, Dough proving, defrost, Hot air grilling, warming, 4D Hot air, Top/bottom heat
- Temperature range 30 °C - 250 °C
- 120 °C
- Cavity volume: 71 litre capacity

Level independent telescopic rails

- 5 shelf positions
- Available as an additional accessory

Design

- Touch controls With steel trim
- Digital Control Ring
- Cavity inner surface: enamel anthracite

Cleaning

- EcoClean Direct : back panel
- hydrolyse program
- Full glass inner door

Programmes/functions

- Oven Assistant with Voice Control
- BE62
- Electronic clock timer
- Digital temperature display with proposal
- Actual temperature display
- Heating-up indicator
- Temperature probe
- Drop down door, SoftClose, SoftOpen
- BoschAssist
- yes
- yes
- Fast pre-heating function
- steam boost - add for 3min intensive steam with a touch of a button.
- There are different steam intensities selectable: steam level high, steam level middle, steam level low
- LED light, Light on/off when oven door opened/closed
- Water tank empty indicator
- Location of water tank: Outside cavity
- Integral cooling fan

- Home Connect ready

Accessories

- 1 x steam container, punched, size M, 1 x steam container, punched, size XL, 1 x steam container, unpunched, size M, 1 x grid, 1 x universal pan

Features

- Maximum window temperature 40° C
- Triple glazed door glazed CoolTouch door
- Control panel lock
- Automatic safety switch off
- Residual heat indicator
- Start button
- Door contact switch

Technical information

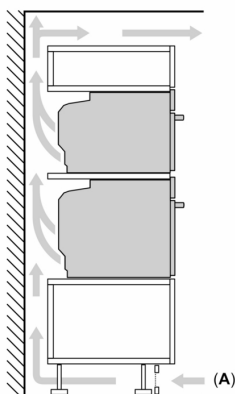
- 120 cm Cable length
- Nominal voltage: 220 - 240 V
- Total connected load electric: 3.6 KW
- Energy efficiency rating (acc. EU Nr. 65/2014): A+
- Energy consumption per cycle in conventional mode: 0.87 kWh
- Energy consumption per cycle in fan-forced convection mode: 0.69 kWh
- Number of cavities: Main cavity
- Heat source: electrical
- Cavity volume: 71 litre capacity

Performance/technical information

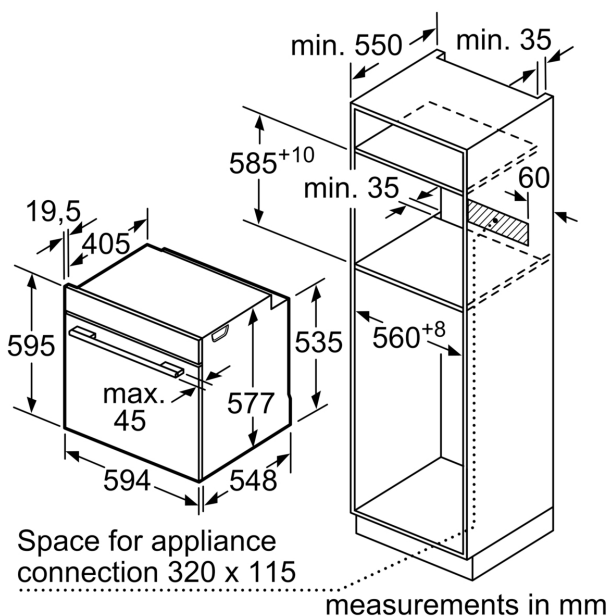
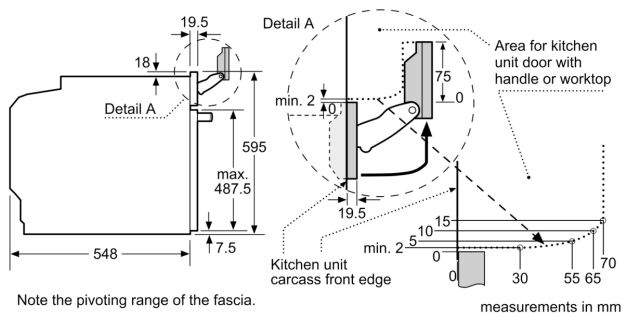
- Appliance dimension (hxwx): 595 mm x 594 mm x 548 mm
- Niche dimension (hxwx): 585 mm - 595 mm x 560 mm - 568 mm x 550 mm
- "For-details-on-installation-and-ventilation requirements – please refer to the installation manual prior to fitting."

Series 8, Built-in oven with steam function, 60 x 60 cm, Black HSG7364B1B

Installing two appliances on top of each other
Air exchange



A: Air inlet $\geq 200 \text{ cm}^2$



If the appliance will be installed underneath a hob, the following worktop thicknesses (including substructure if necessary) must be taken into account.

Hob type	min. worktop thickness	
	fitted	flush
Induction hob	37 mm	38 mm
Full surface Induction hob	47 mm	48 mm
Gas hob	30 mm	38 mm
Electric hob	27 mm	30 mm

