

**Series 4, Built-in oven with added steam function, 60 x 60 cm, White HQA534BW3B**



**Perfect results: Hotair Steam for delicious baking results.**

- **Energy Efficiency Class A+:** thanks to improvement of the oven construction you can save energy while cooking.
- **Added steam function:** by adding steam, baked food turn out crispy on the outside and fluffy on the inside.
- **Hotair Steam:** heat and humidity are distributed equally within the oven interior so food turns out crispy on the outside and juicy on the inside.
- **3D Hotair:** even heat distribution for perfect results on up to three levels.
- **EcoClean Direct:** less cleaning effort thanks to a special coating of the rear wall that automatically absorbs grime.

**Technical Data**

Built-in / Free-standing: ..... Built-in  
 Integrated Cleaning system: ..EcoClean Direct programme, Hydrolytic  
 Required niche size for installation (HxWxD): ....585-595 x 560-568 x 550 mm  
 Dimensions: ..... 595x594x548 mm  
 Dimensions of the packed product (HxWxD): .....675x660x690 mm  
 Control Panel Material: ..... Glass  
 Door Material: ..... Glass  
 Net weight: ..... 34.0 kg  
 Usable volume of cavity: ..... 71 l  
 Cooking method: Full width grill, Hotair gentle, Hot Air, Conventional heat, Pizza setting, Bottom heat, Hot air grilling  
 Length electrical supply cord: ..... 120 cm  
 EAN code: .....4242005465583  
 Number of cavities (2010/30/EC): ..... 1  
 Energy efficiency rating: .....A+  
 Energy consumption per cycle conventional (2010/30/EC): .....0.94 kWh/cycle  
 Energy consumption per cycle forced air convection (2010/30/EC):69 kWh/cycle  
 Energy efficiency index (2010/30/EC): .....81.2 %  
 Connection rating: ..... 2800 W  
 Fuse protection: .....13 A  
 Voltage: ..... 220-240 V  
 Frequency: ..... 50; 60 Hz  
 Plug type: ..... no plug (electrical connection by electrician)  
 Included accessories: .....2 x combination grid, 1 x universal pan

**Included accessories**

2 x combination grid, 1 x universal pan

**Optional accessories**

- HEZ32WA00 Wireless food thermometer
- HEZ530000 Half tray
- HEZ538000 1fold telescopic rail, level independent
- HEZ629070 Air Fry & Grill tray
- HEZ638000 Full ext rails, level independent
- HEZ660060 Strip



## Series 4, Built-in oven with added steam function, 60 x 60 cm, White HQA534BW3B

### Perfect results: Hotair Steam for delicious baking results.

- Niche dimension (hxwxd): 585 mm - 595 mm x 560 mm - 568 mm x 550 mm
- "For-details-on-installation-and-ventilation requirements – please refer to the installation manual prior to fitting."
- We recommend you to choose complementary products within SER4, in order to assure an optimal design combination of your Built-In appliances.

#### Features

- Oven with 8 heating methods: 3D Hotair, conventional top and bottom heat, Hotair grilling, full width variable grill, pizza function, bottom heat, Hotair gentle, hot air and steam combined
- Temperature range 50 °C - 275 °C
- Cavity volume: 71 litre capacity

#### Level independent telescopic rails

- 5 shelf positions
- Available as an additional accessory

#### Design

- Rotary dial, Retractable control dials, round With steel trim
- Cavity inner surface: enamel anthracite
- Extra large capacity oven

#### Cleaning

- EcoClean Direct : back panel
- Full glass inner door

#### Programmes/functions

- LED-Display Control (Red)
- Electronic clock timer
- Heating-up indicator
- Automatic start
- Straight bar handle
- Fast pre-heating function
- Interior halogen light
- Water bowl with a volume of 250 ml
- Integral cooling fan

#### Accessories

- 2 x combination grid, 1 x universal pan

#### Features

- Maximum window temperature 40° C
- Triple glazed door glazed CoolTouch door
- Control panel lock

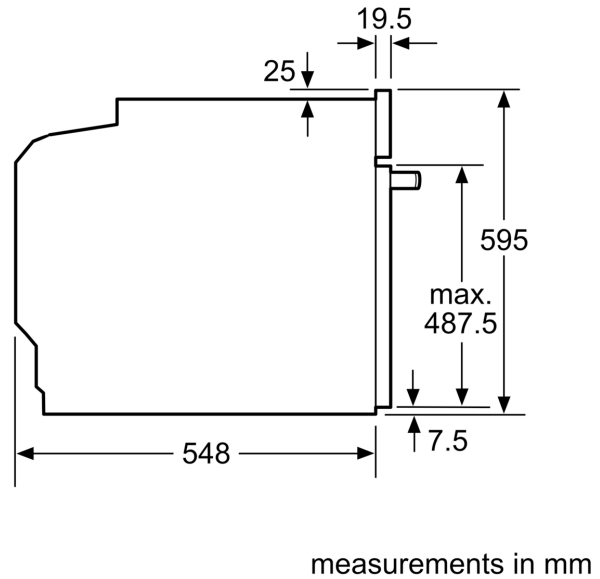
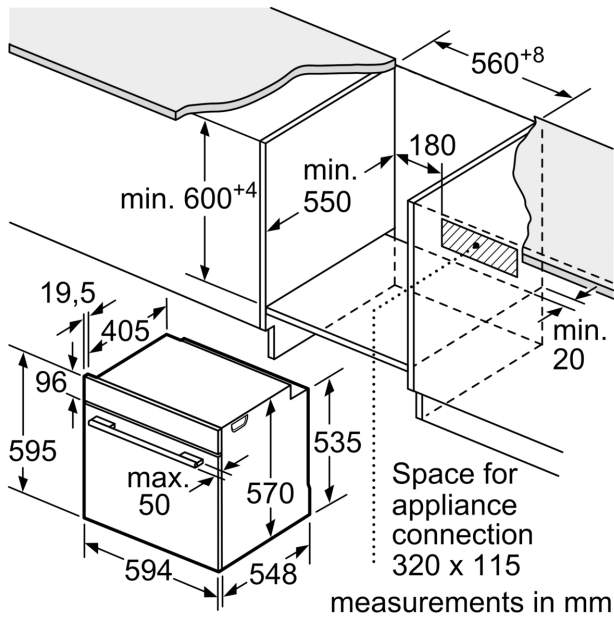
#### Technical information

- 120 cm Cable length
- Nominal voltage: 220 - 240 V
- Total connected load electric: 2.8 KW
- Energy efficiency rating (acc. EU Nr. 65/2014): A+
- Energy consumption per cycle in conventional mode: 0.94 kWh
- Energy consumption per cycle in fan-forced convection mode: 0.69 kWh
- Number of cavities: Main cavity
- Heat source: electrical
- Cavity volume: 71 litre capacity

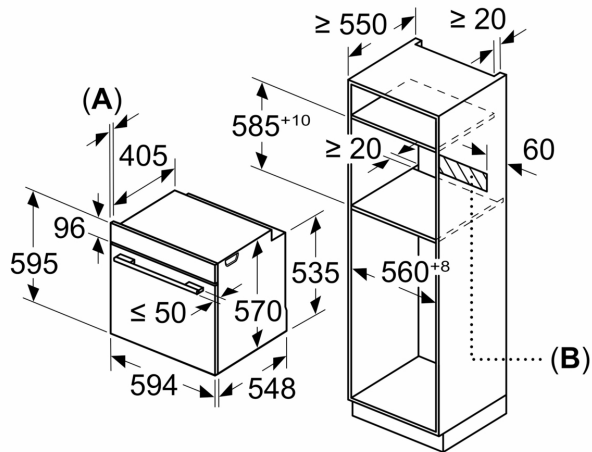
#### Performance/technical information

- Appliance dimension (hxwxd): 595 mm x 594 mm x 548 mm

**Series 4, Built-in oven with added steam function, 60 x 60 cm, White  
HQA534BW3B**



Measurements in mm



**A:** 19.5 mm  
**B:** Space for appliance connection 320 x 115 mm

Installation with a hob.

