

**Series 8, Built-in oven, 60 x 60 cm,
Black
HBG7741B1B**



The built-in oven with Digital Control Ring and TFT-touchdisplay. Assist function for meals, Air Fry, Home Connect for control via the App.

- **Digital Control Ring:** simple and intuitive oven control.
- **TFT Touch Display:** intuitive control with the Digital Control Ring and TFT touchscreen.
- **Automatic Switch-off:** stops cooking as soon as the dish is done.
- **Oven Assistant with Voice Control:** easily set the right programme.
- **Pyrolytic self-cleaning:** automatic oven cleaning, with wipe-away ash.

Technical Data

Built-in / Free-standing: Built-in
 Integrated Cleaning system: Pyrolytic+Hydrolytic
 Required niche size for installation (HxWxD):585-595 x 560-568 x 550 mm
 Dimensions: 595x594x548 mm
 Dimensions of the packed product (HxWxD):670x670x680 mm
 Control Panel Material: Glass
 Door Material: Glass
 Net weight:36.9 kg
 Usable volume of cavity: 71 l
 Cooking method: ..Defrost, Air fry, Full width grill, Hotair gentle, Hot Air, Half width grill, Conventional heat, Conventional heat gentle, Pizza setting, low temperature cooking, Bottom heat, Hot air grilling, pre-heating, warming
 Length electrical supply cord: 120 cm
 EAN code:4242005326587
 Number of cavities (2010/30/EC): 1
 Energy efficiency rating: A+
 Energy consumption per cycle conventional (2010/30/EC):0.87 kWh/cycle
 Energy consumption per cycle forced air convection (2010/30/EC):69 kWh/cycle
 Energy efficiency index (2010/30/EC):81.2 %
 Connection rating: 3600 W
 Fuse protection:16 A
 Voltage:220-240 V
 Frequency: 50; 60 Hz
 Plug type: no plug (electrical connection by electrician)
 Included accessories: 2 x combination grid, 1 x universal pan, 1 x air fry & grill tray

Included accessories

2 x combination grid, 1 x universal pan, 1 x air fry & grill tray

Optional accessories

- HEZ629070 Air Fry & Grill tray
- HEZ638070 Full ext rails, level independent, pyro
- HEZ660060 Strip
- HEZ32WA00 Wireless food thermometer



Series 8, Built-in oven, 60 x 60 cm, Black HBG7741B1B

The built-in oven with Digital Control Ring and TFT-touchdisplay. Assist function for meals, Air Fry, Home Connect for control via the App.

Features

- Oven with 14 heating methods: 3D Hotair, conventional top and bottom heat, Hotair grilling, full width variable grill, half width grill, pizza function, bottom heat, low temperature cooking, defrost, plate warming, keep warm, Hotair gentle, Conventional heat gentle, Air fry
- Temperature range 30 °C - 275 °C
- Cavity volume: 71 litre capacity

Level independent telescopic rails

- 5 shelf positions
- Available as an additional accessory, pyrolytic proof

Design

- Touch controls With steel trim
- Digital Control Ring
- Cavity inner surface: enamel anthracite

Cleaning

- Pyrolytic self-cleaning function
- hydrolyse program
- Full glass inner door

Programmes/functions

- Oven Assistant with Voice Control
- BE61
- Electronic clock timer
- Digital temperature display with proposal
- Actual temperature display
- Heating-up indicator
- Drop down door, SoftClose, SoftOpen
- BoschAssist
- Fast pre-heating function
- LED light, Light on/off when oven door opened/closed
- Integral cooling fan
- Home Connect ready

Accessories

- 2 x combination grid, 1 x universal pan, 1 x air fry & grill tray

Features

- Maximum window temperature 30° C
- Low door temperature during pyrolytic cleaning
- Quadruple glazed door with heat reflective glass glazed CoolTouch door
- Electronic door lock
- Control panel lock
- Automatic safety switch off
- Residual heat indicator
- Start button

- Door contact switch

Technical information

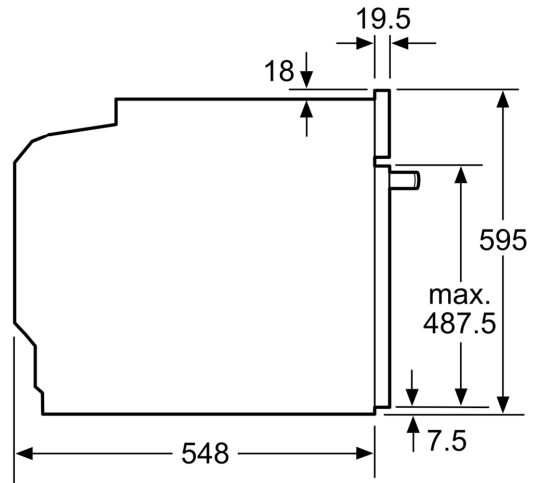
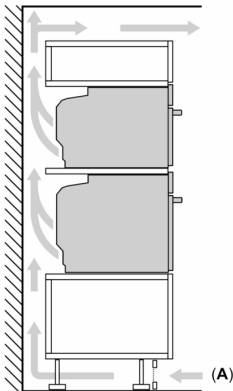
- 120 cm Cable length
- Nominal voltage: 220 - 240 V
- Total connected load electric: 3.6 KW
- Energy efficiency rating (acc. EU Nr. 65/2014): A+
- Energy consumption per cycle in conventional mode: 0.87 kWh
- Energy consumption per cycle in fan-forced convection mode: 0.69 kWh
- Number of cavities: Main cavity
- Heat source: electrical
- Cavity volume: 71 litre capacity

Performance/technical information

- Appliance dimension (hxwxh): 595 mm x 594 mm x 548 mm
- Niche dimension (hxwxh): 585 mm - 595 mm x 560 mm - 568 mm x 550 mm
- "For-details-on-installation-and-ventilation requirements – please refer to the installation manual prior to fitting."

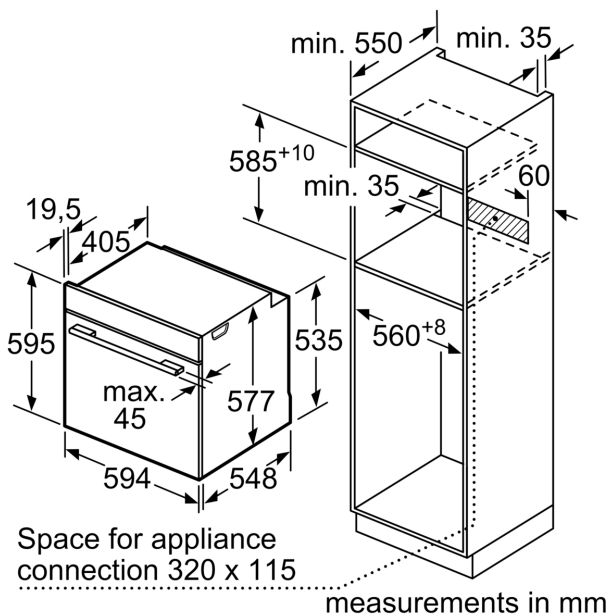
**Series 8, Built-in oven, 60 x 60 cm,
Black
HBG7741B1B**

Installing two appliances on top of each other
other
Air exchange



A: Air inlet $\geq 200 \text{ cm}^2$

measurements in mm



If the appliance will be installed underneath a hob, the following worktop thicknesses (including substructure if necessary) must be taken into account.

Hob type	min. worktop thickness	
	fitted	flush
Induction hob	37 mm	38 mm
Full surface Induction hob	47 mm	48 mm
Gas hob	30 mm	38 mm
Electric hob	27 mm	30 mm

