

**Series 4, Built-under freezer, 82 x 59.8 cm, flat hinge  
GUN21VFE0G**



**Included accessories**

1 x ice cube tray

**Optional accessories**

KUZ20SX0 Attachment door, stainless steel

**Built-under freezer with No Frost and Door Alarm for convenient and worry-free freezing where space is limited.**

- **No Frost:** never defrost again, thanks to perfect protection from ice formation - that saves time and effort.
- **Quiet appliances:** enjoy a calm and relaxing home.
- **Super Freeze function:** prevents the food in your freezer from defrosting.
- **Door Open Alarm:** reminds you if the door is not closed properly.

**Technical Data**

Energy Efficiency Class <sup>1</sup> :	..... E
Average annual energy consumption in kilowatt hour per year (kWh/a):	..... 189 kWh/annum
Sum of volume of frozen compartments:	..... 85 l
Airborne acoustical noise emissions :	.....35 dB(A) re 1pW
Airborne acoustical noise emission class:	.....B
Thermometer freeze section:	.....N/A
Product category:	..... Upright freezer
Built-in / Free-standing:	..... Built-in
Frost free system:	..... Fridge and freezer
Height of the appliance:	..... 820 mm
Width of the appliance:	..... 598 mm
Depth:	..... 548 mm
Required niche size for installation (HxWxD):	..... 820x600x550 mm
Dimensions of the packed product (HxWxD):	.....890x655x625 mm
Net weight:	..... 30.8 kg
Gross weight:	..... 33.5 kg
Fuse protection:	..... 10 A
Frequency:	..... 50 Hz
Length electrical supply cord:	..... 230 cm
Door hinge:	..... Right reversible
Defrost:	..... Automatic
Warning signal / malfunction:	..... Visual
Door lock:	..... No
Number of drawers/baskets (Stck):	..... 3
Number of freezing flaps (Stck):	..... 0
EAN code:	..... 4242005381104
Brand:	..... Bosch
Product name / Commercial code:	..... GUN21VFE0G
Product category:	..... Upright freezer
Included accessories:	..... 1 x ice cube tray



<sup>1</sup> Scale of Energy Efficiency Classes from A to G

## **Series 4, Built-under freezer, 82 x 59.8 cm, flat hinge GUN21VFE0G**

**Built-under freezer with No Frost and Door Alarm for convenient and worry-free freezing where space is limited.**

---

### **Performance and Consumption**

- EU19\_EEK\_D: E
- Total Volume : 85 l
- Annual Energy Consumption: 189 kWh/a
- Climate Class: SN-T
- Noise Level : 35 dB , EU19\_Noise emission class\_D: B

### **Functions**

#### **Design features**

- NO\_FROST\_NEU\_BL, never have to defrost ever again
- LED electronic control
- Sabbath-Mode
- Freezer malfunction warning signal: optical and accoustical
- SuperFreeze function with automatic deactivation
- Home Connect: Remote diagnostics, Remote Monitoring and Control
- Easy clean interior

#### **Food freshness system**

- Net Freezer Volume : 85 l
- 3 freezer drawers
- Temperature rise time : EU19\_Temperature rise time\_D: 9 H
- EU19\_Fast freezer facility\_D
- Freezing capacity 24h : 8 kg
- Ice box

#### **Key features - Freezer section**

- GUN21VFE0G
- Right hinged door, door reversible
- Fully integrated
- Ventilation through plinth
- Length of power cord:230 cm
- 220 - 240 V

#### **Dimension and installation**

- Niche Dimensions: 82 cm H x 60 cm W x 55 cm D
- Dimensions: 82 cm H x 59.8 cm W x 54.8 cm D

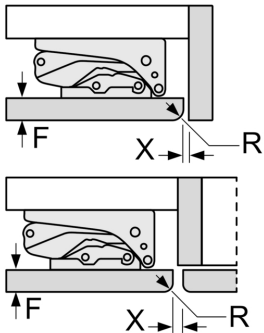
#### **Country Specific Options**

- Based on the results of the standard 24-hour test. Actual consumption depends on usage/position of the appliance.

#### **Additional features**

**Series 4, Built-under freezer, 82 x 59.8 cm, flat hinge  
GUN21VFE0G**

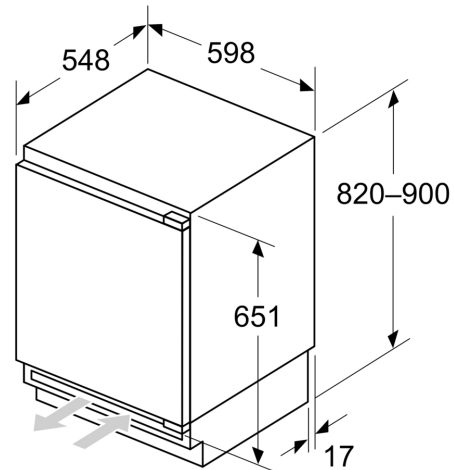
measurements in mm  
Recommended gap dimensions for flat hinges



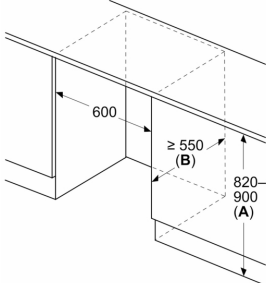
F	R	X
16-19	0-3	2.5
20	0-1	3
	2-3	2.5
21	0-1	3
	2-3	2.5
22	0	4
	1	3.5
	2-3	3

The gap dimensions recommended in the table must be adhered to in order to ensure that appliance doors do not collide with anything when they are opened, and to avoid causing damage to kitchen units.

Measurements in mm



Measurements in mm

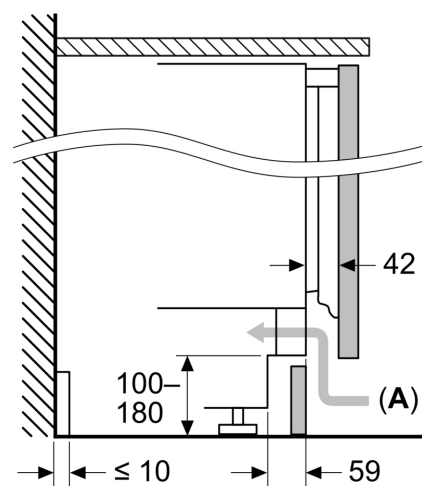


A: Substructure height

B:  $\geq 560$  mm (recommended)

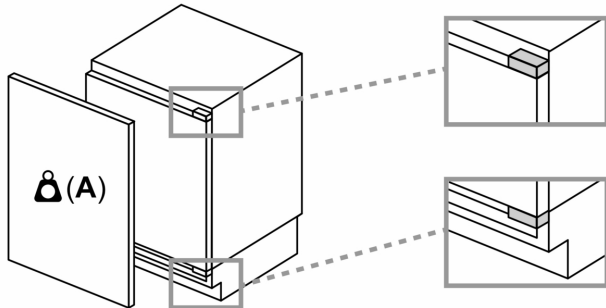
Space for electrical connection next to the appliance on the left or right side

Measurements in mm



A: Air inlet  $\geq 200$  cm<sup>2</sup>

### Maximal permissible weight of the unit fronts



Fitted unit fronts that exceed the permissible weight may cause damage and result in functional impairment of the hinges

**A:** Weight  $\leq$  12 kg