

#### More freedom in the kitchen

The 6000 Bridge Extractor Hob combines an induction hob to fit a 60cm cabinet, with a powerful built-in extractor for optimal air flow. It also has a Bridge function, allowing you to combine two cooking zones into one for larger cookware.

#### Product Benefits & Features

##### The Bridge Extractor Hob. For greater kitchen freedom

The Bridge Extractor Hob combines an induction hob to fit a 60cm cabinet with a powerful built-in extractor for optimal airflow. The hob's Bridge function also allows you to combine two cooking zones into one for larger cookware.



##### Modern, matt black beauty. Our most scratch-resistant surface

A modern design statement at the heart of your kitchen. The SaphirMatt® hob's matt black finish enhances its minimalist aesthetic. Made with a fingerprint-resistant surface that is up to 10X more scratch-resistant than a standard hob surface\* for lasting, effortless beauty.

\*Based on abrasion tests conducted by external Swiss laboratory in accordance with international standard IEC 60068-2-70. Scratch visibility is assessed internally in comparison to our standard ceramic glass hobs without special treatment or coating.

##### 4 Individual Zone Controls. Unlimited cooking options

4 Individual Zone Controls, with 9 power levels, allow you to individually control 4 different cooking areas and set separate timers for each. Other functions include power boost, active touch, child lock and automatic extractor control.



##### Long-Life Carbon Filter. Clean and re-use multiple times

The Long-Life Carbon Filter is easy to clean, so your kitchen air stays fresh, and your fan runs at its best for longer. Filters can be loaded in the dishwasher for cleaning, easily refitted and regenerated up to 8 times for extended life.



##### Automatic Extractor Control. Adjusts as you cook

Automatic Extractor Control allows you to focus on what matters – cooking. The hob will automatically switch on and adjust the extraction level according to your cooking activities, keeping your kitchen fresh and hands free.

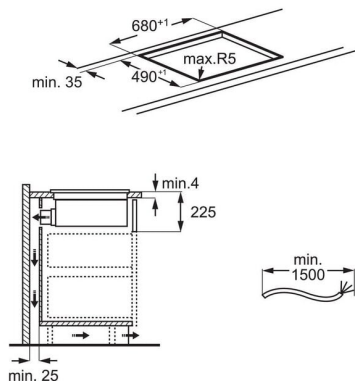


- ComboHob: 2-in-1 combination of hob and extractor fan.
- SaphirMatt® hob is up to four times more scratch-resistant.
- Residual heat indicators: Show when the hob surface is still hot after use.
- PowerBoost: Gives an instant increase in temperature allowing water to boil in less than 90 seconds.
- Child lock safety function.
- Auto safety switch off: The power automatically turns off if a cooking zone is left on for too long.
- Bridging function: Combines 2 cooking zones allowing flexibility for any size pan.
- Inverter motor
- Grease filter indicator.
- Charcoal filter indicator.
- Grease filter type and number: Odour Clean Carbon Filter, 2
- Minute minder
- EcoTimer™: Saves energy by using the residual heat from the hob, turning off the cooking zone before the end of your timer to boost efficiency.
- Automated extraction: Auto mode adjusts the extractor fan based on hob temperature changes, so you can focus entirely on cooking.
- Pause functionality allows you to take short breaks without losing your cooking settings.
- Extraction mode: A ducting kit is attached to the hood to extract cooking vapours externally, keeping the kitchen free from odours.

#### Product Specification

|                                                   |                           |                                                         |             |
|---------------------------------------------------|---------------------------|---------------------------------------------------------|-------------|
| Frame Type                                        | Bevelled 2 Sides          | Recirculated Extraction Rate - Min/Max/Intensive (m³/h) | 250/480/585 |
| Dimensions (mm) (WxD)                             | 710x520                   | Ducted Noise Level - Min/Max/Intensive (dB)             | 50/66/69    |
| Built-in Dimensions (mm) (HxWxD)                  | 225x680x490               | Extraction Type - Recirculation                         | Yes         |
| Air Outlet (mm)                                   | 220                       | Extraction Type - Ducted                                | Yes         |
| Grease Filter Type                                | Odour Clean Carbon Filter | Hob2Hood Connection                                     | Yes         |
| Number of Grease Filters                          | 2                         | Net Weight (Kg)                                         | 17.1        |
| Aperture Cut Out (mm)                             | 5                         | Gross Weight (Kg)                                       | 21.1        |
| Energy Rating                                     | A+                        |                                                         |             |
| Fluid Dynamic Efficiency Rating                   | A                         |                                                         |             |
| Grease Filter Efficiency Rating                   | B                         |                                                         |             |
| Motor Type                                        | Brushless                 |                                                         |             |
| Cord Length (m)                                   | N/A                       |                                                         |             |
| Bar Code                                          | 7333394075808             |                                                         |             |
| Product Number (PNC)                              | ER                        |                                                         |             |
| Plug or Hardwired                                 | Hardwired connection only |                                                         |             |
| Left Front - Power/Diameter                       | 2300/3200W/210mm          |                                                         |             |
| Left Rear - Power/Diameter                        | 2300/3200W/210mm          |                                                         |             |
| Right Front - Power/Diameter                      | 1400/2500W/145mm          |                                                         |             |
| Right Rear - Power/Diameter                       | 1800/2800W/180mm          |                                                         |             |
| Number of Cooking Zones                           | 4                         |                                                         |             |
| Series                                            | 6000                      |                                                         |             |
| Hob Type                                          | Induction Extractor Hob   |                                                         |             |
| Ducted Extraction Rate - Min/Max/Intensive (m³/h) | 650/550/270               |                                                         |             |

251105QU2E



PSGBHH220DE0000N

