



#### Grill, reheat, bake and microwave. All in one

The 5000 CombiAir Oven merges hot air circulation and turntable with advanced microwave technology to quickly defrost or cook your dish – heating evenly throughout. You can also grill, roast or bake easily with faster cooking times.

#### Product Benefits & Features



#### Microwave with Hot Air. For better and faster heating

Microwave with hot air provides dual functions – microwave and convection cooking, which merges hot air circulation and advanced microwave technology so your food is cooked faster and more evenly.



#### EXPlore. Easy access to your oven's functions

EXPlore allows you to effortlessly control the settings of your oven to know what's happening with your cooking. With the LED display, 5-touch buttons and 2 rotary knobs, you can easily see the time, temperature and progress of your dish.



#### Cooked Evenly everywhere

The clever Hot Air convection system ensures hot air circulates evenly throughout the oven cavity, for a cooking process that is faster, and more energy efficient.

#### Grill function. For faster browning and grilling

Perfect for toasts or crispy dishes, the Grill function is highly efficient to toast, crisp or brown your dishes to precision.

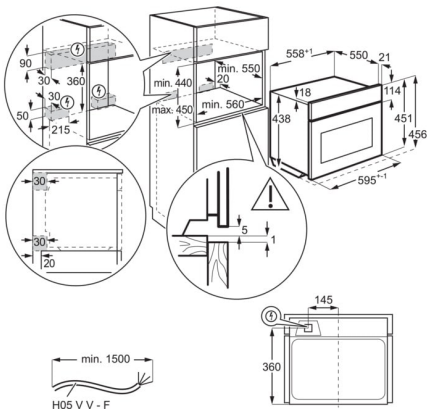
- Electronic touch controls.
- Cooling fan
- Microwave function
- Fan controlled defrosting: Great for delicate items like cream cakes, by using room-temperature air to defrost food in half the time.
- LED digital display
- Isofront® plus triple glazed doors with a heat reflective coating.
- Retractable controls
- Child lock: Oven controls can be locked to prevent misuse, providing safety and peace of mind.
- Turbo grilling
- Inverter microwave technology cooks food evenly, preventing hot spots by spreading heat consistently.

#### Product Specification

Main Colour	Black
Built-in Dimensions (mm) (HxWxD)	450x560x550
Functions (Main Oven)	Defrost, Grill, Grill + microwave (menu), Liquids (menu), Melting (menu), Microwave, Popcorn, Reheat, True fan cooking, True fan cooking + Microwave, Turbo grilling, Turbo grilling + Microwave
Connectivity	No
Total Electricity Loading (W)	2650
Steam Category	No
Timer Type	Electronic display with clock, minute minder, cooking duration and delay start.
Main Oven - Internal Capacity (L)	41
Cleaning	Clean enamel
Dimensions (mm) (HxWxD)	455x595x567
Oven control type	Front;Pop in / Pop out;Spin finish
Max Power Grill - Top Oven (W)	1900
Max power oven, W	2650
Temperature Range	30°C - 250°C
Largest Surface area	1140
Interior Light	1, Top halogen
Lamp power (W)	25
Oven Energy Source	Electrical

Product Type	Built-in Electric Oven
Noise (dB)	52
Gross Weight (Kg)	34
Net Weight (Kg)	32.3
Main Oven - Shelf Support	Side grids Standard
Cord Length (m)	1.5
Plug or Hardwired	Hardwired connection only
Included Fittings	Grill rack set, Turntable small, Wood screws
Cavity Coating	Grey Enamel
N° of cavities	1
PNC	944 005 394
Bar Code	7333394149592
Voltage (V)	220-240
Required Fuse (A)	16

PSGBOV230DE00001



PSGBOV230DE00002

