



### Dish up delicious

Dish up delicious meals in moments with this dual-function microwave – with a grill feature for that professional finish. Delivering on both taste and texture, that finishing touch is yours at a touch of a button – from crisp bacon to a golden cheese crust.

## Product Benefits & Features

### Instant access to customised functions

Frequently used microwave settings can be saved and accessed quickly with the favourite functions. Once a customised programme has been set, simply activate it via the star-shaped icon. No need to remember the exact settings each time. It's convenience, at a touch.

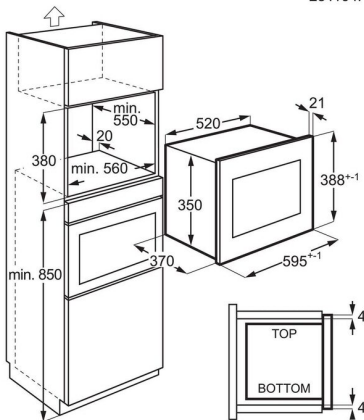


- LED digital display.
- Control type: Touch control power selection.
- Cooking functions: Grill, Microwave, Microwave & Grill
- Quick Start: Starts immediately at full power with 30-second intervals.
- Auto Defrost: Simplifies defrosting, just choose the food type and weight for optimal results.
- Turntable diameter and material: 315 mm, Glass
- End of cooking signal: Alerts you when your food is ready.
- Child lock: Oven controls can be locked to prevent misuse, providing safety and peace of mind.

**Product Specification**

Maximum Microwave Output (W)	900
Maximum Grill output (W)	1000
Number of Power Levels	5
Capacity (L)	25
Plug or Hardwired	UK Moulded Plug
Noise (dB)	60
Installation Type	Built-in
Dimensions (mm) (HxWxD)	388x595x400
Built-in Dimensions (mm) (HxWxD)	380x560x550
Frequency (Hz)	50
Colour	Stainless steel with antifingerprint
Cavity Material	Stainless Steel
Voltage (V)	230
Required Fuse (A)	10
Product Number (PNC)	ER
Internal Dimensions (mm) (HxWxD)	xx
Grill	Yes
Pre-programmed	Child Lock, Instant On/+30 Seconds
Signal Type	End signal
Turntable	Yes
Turntable Diameter (mm)	315
Net Weight (Kg)	18.79
Gross Weight (Kg)	21.25

251104PEOG



251104XPPN

