



#### Grill, reheat, bake and microwave. All in one

The 5000 CombiAir Oven merges hot air circulation and turntable with advanced microwave technology to quickly defrost or cook your dish – heating evenly throughout. You can also grill, roast or bake easily with faster cooking times.

#### Product Benefits & Features



#### Microwave with Hot Air. For better and faster heating

Microwave with hot air provides dual functions – microwave and convection cooking, which merges hot air circulation and advanced microwave technology so your food is cooked faster and more evenly.



#### EXPLORE. Easy access to your oven's functions

EXPLORE allows you to effortlessly control the settings of your oven to know what's happening with your cooking. With the LED display, 5-touch buttons and 2 rotary knobs, you can easily see the time, temperature and progress of your dish.



#### Cooked Evenly everywhere

The clever Hot Air convection system ensures hot air circulates evenly throughout the oven cavity, for a cooking process that is faster, and more energy efficient.

#### Grill function. For faster browning and grilling

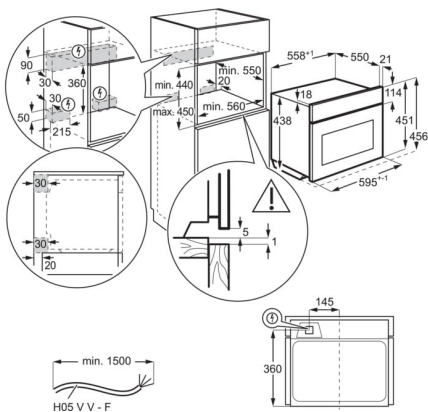
Perfect for toasts or crispy dishes, the Grill function is highly efficient to toast, crisp or brown your dishes to precision.

- Electronic touch controls.
- Cooling fan
- Microwave function
- Fan controlled defrosting: Great for delicate items like cream cakes, by using room-temperature air to defrost food in half the time.
- LED digital display
- Isofront® plus triple glazed doors with a heat reflective coating.
- Retractable controls
- Child lock: Oven controls can be locked to prevent misuse, providing safety and peace of mind.
- Turbo grilling
- Inverter microwave technology cooks food evenly, preventing hot spots by spreading heat consistently.

#### Product Specification

Main Colour	Stainless Steel	Product Type	Built-in Electric Oven
Built-in Dimensions (mm) (HxWxD)	450x560x550	Noise (dB)	52
Functions (Main Oven)	Defrost, Grill, Grill + microwave (menu), Liquids (menu), Melting (menu), Microwave, Popcorn, Reheat, True fan cooking, True fan cooking + Microwave, Turbo grilling, Turbo grilling + Microwave	Gross Weight (Kg)	33
Connectivity	No	Net Weight (Kg)	30.3
Total Electricity Loading (W)	2650	Main Oven - Shelf Support	Side grids Standard
Steam Category	No	Cord Length (m)	1.5
Timer Type	Electronic display with clock, minute minder, cooking duration and delay start.	Plug or Hardwired	Hardwired connection only
Main Oven - Internal Capacity (L)	41	Included Fittings	Grill rack set, Turntable small, Wood screws
Cleaning	Clean enamel	Cavity Coating	Grey Enamel
Dimensions (mm) (HxWxD)	455x595x567	N° of cavities	1
Oven control type	Pop in / Pop out flat with sungrind	N° of cavities	1
Max Power Grill - Top Oven (W)	1900	PNC	944 005 393
Max power oven, W	2650	Bar Code	7333394149585
Temperature Range	30°C - 250°C	Voltage (V)	220/240
Largest Surface area	1140	Required Fuse (A)	16
Interior Light	1, Top halogen		
Lamp power (W)	25		
Oven Energy Source	Electrical		

PSGBOV230DE00001



PSGBOV230DE00002

