



The smart hood with adaptive lighting

The 8000 AuroraTech® Hood introduces smart lighting to your kitchen. It automatically adapts the illumination colour and intensity based on the time of day, creating the perfect ambiance. Use the app for the smart lighting experience.

Product Benefits & Features

AuroraTech®. Transform your kitchen with adaptive light

AuroraTech® automatically adapts the colour and intensity of your cooker hood's light according to the time of day to create the perfect kitchen ambiance and enhance your comfort. Use the app for the smart illumination experience.



SilenceTech. Maximum performance, minimum noise

SilenceTech creates a peaceful kitchen environment where you can enjoy fresh air while cooking. The innovative technology effectively cleans your kitchen air from unwanted odours, while keeping the noise levels to a minimum.



Natural air, effortlessly and silently with the Breeze function

The Breeze function refreshes your kitchen air after cooking while quietly extracting lingering kitchen odours. Eat, relax and entertain in an enjoyable kitchen atmosphere, effortlessly and silently.



Hob2Hood®. The perfect partner when you cook.

The Hob2Hood® function wirelessly activates the hood lights when you turn on the hob. When you start cooking, the fan speed is regulated based on the heat settings on the hob. Cook delicious meals without worrying about odours and vapours.



ExtractionTech Pro cooker hood: High power, exceptional freshness

Experience superior kitchen air quality with the ExtractionTech Pro cooker hood. Equipped with our most powerful motor and intensive speed option, it efficiently extracts cooking vapours ensuring an exceptionally fresh cooking environment.

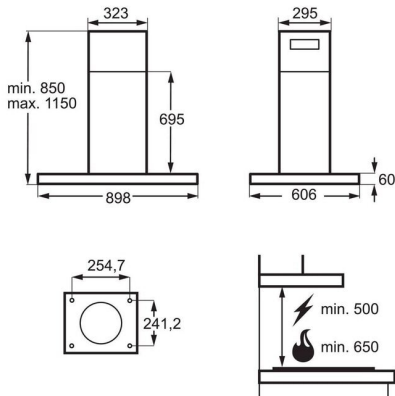


- Control type: Electronic touch controls with 3+2 Intensive; Breeze function; SilenceTech Range speeds.
- Aluminium grease filters
- Extraction mode
- Recirculation mode
- Hob2Hood®: Allows you to control the cooker hood via your hob.
- Grease filter indicator.
- Charcoal filter indicator.
- Grease filter type and number: Black Aluminium mesh, 3

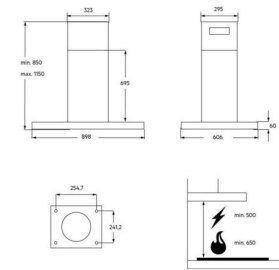
Product Specification

Main Colour	Black	Max Recirculated Extraction Rate (m ³ /h)	430
Number of Speed Settings	3+2 Intensive; Breeze function; SilenceTech Range	Intensive Recirculated Extraction Rate (m ³ /h)	595
Control Type	Touch on glass	Min Recirculated Noise Level (dB)	52
Lamp Type	AuroraTech, LED stripe	Max Recirculated Noise Level (dB)	67
Energy Rating	A+	PNC	942 051 561
Ducted Extraction Rate - Min/Max/Intensive (m ³ /h)	260/440/760	Bar Code	7333394077604
Ducted Noise Level - Min/Max/Intensive (dB)	44/55/67	Net Weight (Kg)	32.6
Grease Filter Efficiency Rating	B	Gross Weight (Kg)	42.63
Minimum Distance from Electric Hob (cm)	50	Dimensions (mm) (HxWxD)	1150x898x606
Minimum Distance from Gas Hob (cm)	65	Installation Type	Island Hood
Annual Energy Consumption (kWh)	43.6	Number of Grease Filters	3
Size (cm)	90	Grease Filter Type	Black Aluminium mesh
Extraction Type - Recirculation	Yes	Cord Length (m)	1.33
Extraction Type - Ducted	Yes	Air Outlet (mm)	150
Light Temperature (k)	2700-4000-5000	Required Fuse (A)	N/A
Number of Lights	4	Charcoal Filter	Optional accessory
Hob2Hood Connection	Yes	Charcoal Filter Type	MCFB58ST
Fluid Dynamic Efficiency Rating	A	Long Life Filter Type	MCFB59PL
Lighting Efficiency Rating	A	Super Performing Filter Type	MCFB66PR
Min Recirculated Extraction Rate (m ³ /h)	220	OdourClean Plus Carbon filter	Optional accessory

240613GC8P



Model
GI87D91CB



© 2020 AEG Power Systems Ltd. All rights reserved. AEG Power Systems Ltd.

