

**Series 2, Wall-mounted cooker hood,  
75 cm, Stainless steel  
DWP74BC50B**



**Optional accessories**

- DHZ1224 Chimney extension 500 mm
- DHZ5275 Standard recirculation kit
- DHZ5276 Standard odor filter (replacement)

**Pyramid hood: perfect performance  
matching your kitchen.**

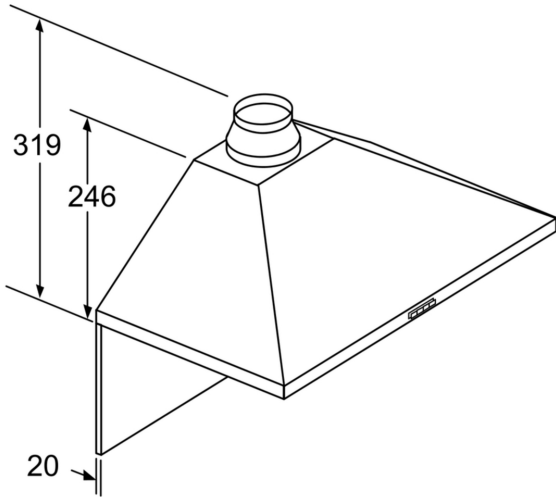
- **Quiet extraction with powerful performance**
- **LED Illumination:** The energy-saving lighting provides bright and clear lighting for the hob area.
- **High extraction rate - for continuously clean air in the kitchen.**
- **Dishwasher safe metal grease filter**
- **3 Power Levels:** Adjust the extraction intensity according to your cooking needs.

**Technical Data**

Color chimney: ..... Stainless steel  
 Typology: ..... Wall-mounted  
 Length electrical supply cord: ..... 130 cm  
 Height of the chimney: ..... 553-730/573-730 mm  
 Height of the appliance: ..... 246 mm  
 Minimum distance above an electric hob: ..... 550 mm  
 Minimum distance above a gas hob: ..... 650 mm  
 Net weight: ..... 11.1 kg  
 Type of control: ..... Mechanical  
 Number of speed settings: ..... 3  
 Max. air extraction: ..... 365 m<sup>3</sup>/h  
 Max. air recirculation: ..... 213 m<sup>3</sup>/h  
 Maximum Air flow: ..... 365 m<sup>3</sup>/h  
 Number of lights: ..... 2  
 Noise level: ..... 65 dB(A) re 1pW  
 Diameter of air outlet: ..... 120 / 150 mm  
 Grease filter material: ..... Washable aluminium  
 EAN code: ..... 4242005031993  
 Connection rating: ..... 100 W  
 Fuse protection: ..... 10 A  
 Voltage: ..... 220-240 V  
 Frequency: ..... 50; 60 Hz  
 Plug type: ..... GB plug  
 Installation typology: ..... Wall-mounted



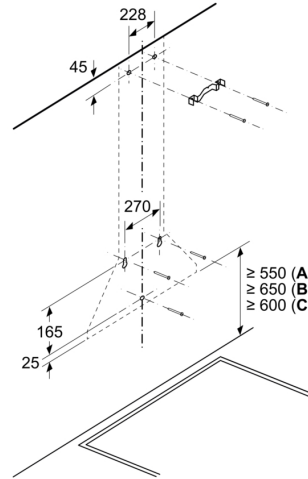
**Series 2, Wall-mounted cooker hood,  
75 cm, Stainless steel  
DWP74BC50B**



If a back panel is used,  
the design of the appliance  
must be considered.

measurements in mm

Measurements in mm

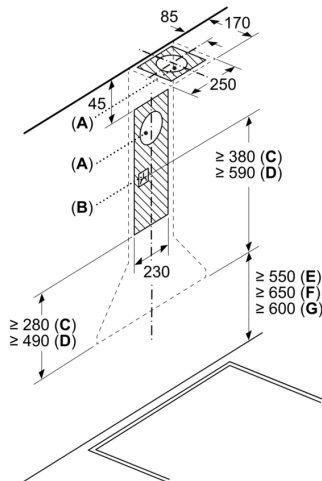


A: Electric

B: Gas - from upper edge of pan support

C: Electric - for Australia and New Zealand

Measurements in mm



A: Exhaust-air outlet

B: Socket

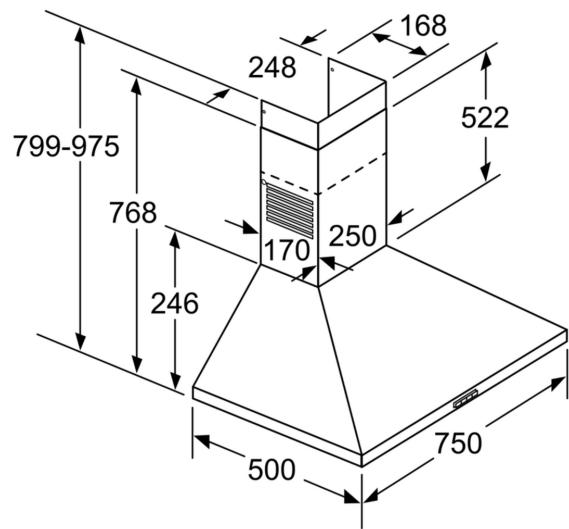
C: Exhaust air

D: Circulated air

E: Electric

F: Gas - from upper edge of pan support

G: Electric - for Australia and New Zealand



measurements in mm