

**Series 2, Wall-mounted cooker hood,
60 cm, Stainless steel
DWP64BC50B**



Optional accessories

DHZ1224	Chimney extension 500 mm
DHZ5275	Standard recirculation kit
DHZ5276	Standard odor filter (replacement)
DHZ6551	Brushed steel back panel

**Pyramid hood: perfect performance
matching your kitchen.**

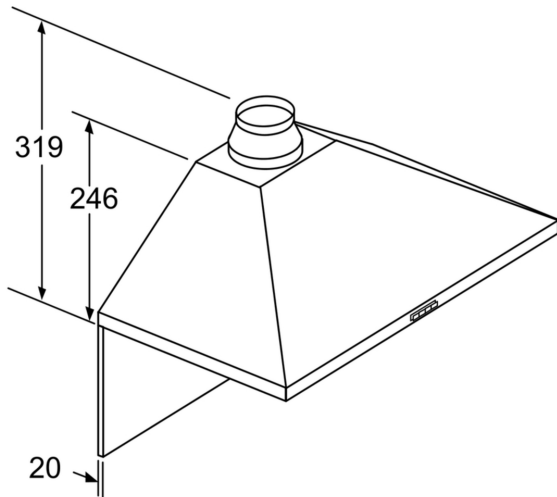
- **LED Illumination:** The energy-saving lighting provides bright and clear lighting for the hob area.
- **High extraction rate - for continuously clean air in the kitchen.**
- **Dishwasher safe metal grease filter**
- **3 Power Levels:** Adjust the extraction intensity according to your cooking needs.
- **Dishwasher safe aluminum mesh filters**

Technical Data

Color chimney:	Stainless steel
Typology:	Wall-mounted
Length electrical supply cord:	130 cm
Height of the chimney:	553-730/573-730 mm
Height of the appliance:	246 mm
Minimum distance above an electric hob:	550 mm
Minimum distance above a gas hob:	650 mm
Net weight:	7.7 kg
Type of control:	Mechanical
Number of speed settings:	3
Max. air extraction:	365 m ³ /h
Max. air recirculation:	211 m ³ /h
Maximum Air flow:	365 m ³ /h
Number of lights:	2
Noise level:	66 dB(A) re 1pW
Diameter of air outlet:	120 / 150 mm
Grease filter material:	Washable aluminium
EAN code:	4242005031467
Connection rating:	100 W
Fuse protection:	10 A
Voltage:	220-240 V
Frequency:	50; 60 Hz
Plug type:	GB plug
Installation typology:	Wall-mounted



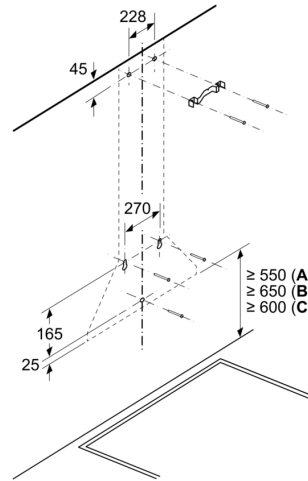
**Series 2, Wall-mounted cooker hood,
60 cm, Stainless steel
DWP64BC50B**



If a back panel is used,
the design of the appliance
must be considered.

measurements in mm

Measurements in mm

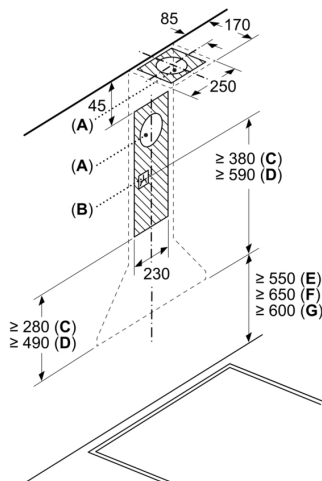


A: Electric

B: Gas - from upper edge of pan support

C: Electric - for Australia and New Zealand

Measurements in mm



A: Exhaust-air outlet

B: Socket

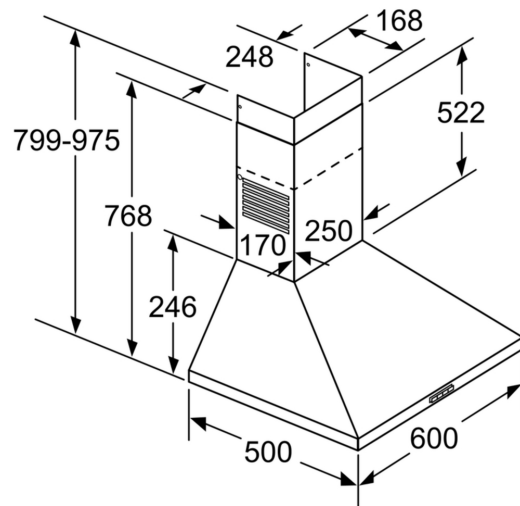
C: Exhaust air

D: Circulated air

E: Electric

F: Gas - from upper edge of pan support

G: Electric - for Australia and New Zealand



measurements in mm