

**Series 4, Wall-mounted cooker hood,
80 cm, clear glass black printed
DWK87CM60B**



**Angled hood: perfect for keeping an eye
on your pots and pans.**

- **Especially silent:** maximum hood performance, minimum noise.
- **Easy-to-clean interior:** hidden screws and cables along with rounded edges make cleaning easy.
- **TouchSelect control:** Quickly select hood settings via touch.
- **LED Illumination:** The energy-saving lighting provides bright and clear lighting for the hob area.
- **Intensive speed setting:** removes strong kitchen odours quickly and effectively.

- DWZ0AK0R0 Long Life recirculation kit (chimless)
- DWZ0AK0S0 Long Life recirculation kit
- DWZ0AX5K0 Chimney extension 1000 mm
- DWZ0AX5L0 Chimney extension 1500 mm
- DWZ1AK1B6 Clean Air Plus odor filter (replacement)
- DWZ1AK1I6 Clean Air Plus recirculation kit
- DWZ1AK1V6 Clean Air Plus recirc. kit (chimless)
- DWZ1AX5C6 Clean Air Plus recirc. kit external
- DWZ1AX6E1 Chimney standard black
- DZZ0XX0P0 Long Life odor filter (replacement)
- DZZ1XX1B6 Clean Air Plus odor filter (replacement)

Typology:Wall-mounted
Length electrical supply cord: 130.0 cm
Height of the appliance: 323 mm
Minimum distance above an electric hob: 450 mm
Minimum distance above a gas hob:650 mm
Net weight:21.0 kg
Type of control:Electronic
Number of speed settings: 3-stages + intensive setting
Max. air extraction: 416 m ³ /h
Boost position output recirculating:469 m ³ /h
Max. air recirculation: 367 m ³ /h
Boost position air extraction: 700 m ³ /h
Maximum Air flow: 416 m ³ /h
Number of lights: 2
Noise level:58 dB(A) re 1pW
Diameter of air outlet: 120 / 150 mm
Grease filter material:Washable aluminium
EAN code:4242005172733
Connection rating: 263 W
Fuse protection:10 A
Voltage: 220-240 V
Frequency: 60; 50 Hz
Plug type:GB plug
Installation typology:Wall-mounted



Series 4, Wall-mounted cooker hood, 80 cm, clear glass black printed DWK87CM60B

**Angled hood: perfect for keeping an eye
on your pots and pans.**

Key performance features:

- Energy Efficiency Class: B (at a range of energy efficiency classes from A+++ to D)
- Extraction rate according to EN 61591 ø 15 cm:
 - max. Normal use 416 m³/h
 - Intensive 700 m³/h
- Noise max. Normal Level: Noise, max. speed in normal use: 58 dB dB*

Special features

- TouchControl with Electronic display
- 3 power levels & intensive setting
- 2 x 1.5W LED light
- Colour Temperature: 3500 K
- Automatic intensive revert (6mins)
- 2 removable metal grease filter cassettes
- easy to clean Inner frame
- Installation: wall
- Rim ventilation

Design

- Chimney extractor hood
- TouchControl
- Electronic control

Performance/technical information

- Suitable for ducted or recirculating operation
- For recirculated extraction recirculating kit or CleanAir recirculating kit (accessory) needed
- In recirculation operation chimless use possible
- Installation system: Wall fixing inclined/flat/cube
- Extraction rate according to EN 61591 max. 700 m³/h
- Noise level according to EN 60704-3 and EN 60704-2-13 at max. normal use exhaust air: 58 dB(A) re 1 pW
- Noise level according to EN 60704-3 and EN 60704-2-13 exhaust air:
 - Max. normal use: 58 dB(A) re 1 pW
 - Intensive: 67 dB(A) re 1 pW
- Noise level according to EN 60704-3 and EN 60704-2-13 at maximum normal setting: extraction rate: 58 dB (A) re 1pW
- Power rating: 263 W
- Light Intensity: 90 lux
- Electrical cable length 1.3 m
- Diameter pipe ø 150 mm (ø 120 mm enclosed)
- Dimensions exhaust air (HxWxD): 928-1198 x 790 x 499 mm
- Dimensions recirculating (HxWxD): 988-1258 x 790 x 499 mm
- Dimensions recirculating with CleanAir module (HxWxD):
 - 1118 x 790 x 499mm - mounting with outer chimney
 - 1188-1458 x 790 x 499 mm - mounting with telescopic chimney
- Blower Efficiency Class: B*
- Lighting Efficiency Class: B*

- Grease Filtering Efficiency Class: C*
- Average Energy Consumption: 56.6 kWh/year*

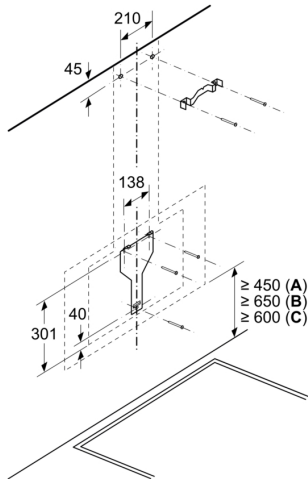
Optional accessories

- Recirculating kit DWZ0AK0R0

* In accordance with the EU-Regulation No 65/2014

**Series 4, Wall-mounted cooker hood,
80 cm, clear glass black printed
DWK87CM60B**

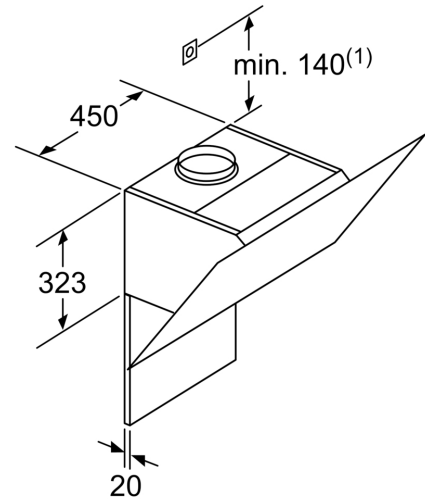
Measurements in mm



A: Electric

B: Gas - from upper edge of pan support

C: Electric - for Australia and New Zealand

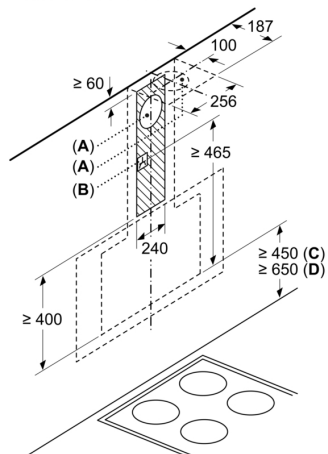


(1)Position
of socket

Note the maximum
thickness of the back panel.

measurements in mm

Measurements in mm



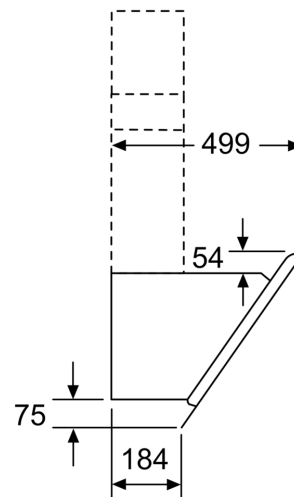
A: Exhaust air

B: Socket

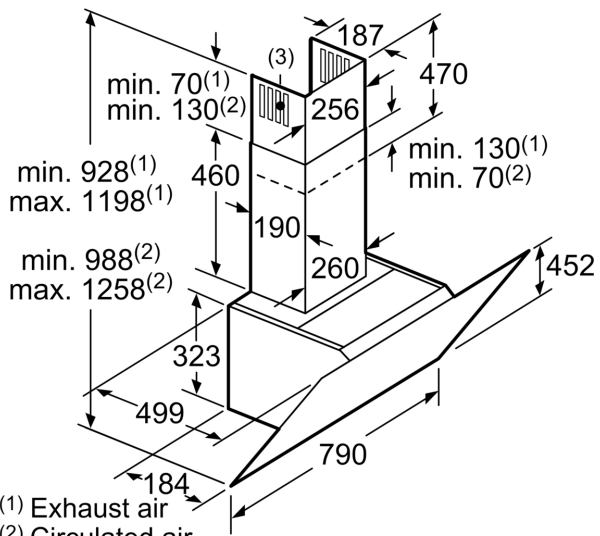
From upper edge of pan support

C: Electric

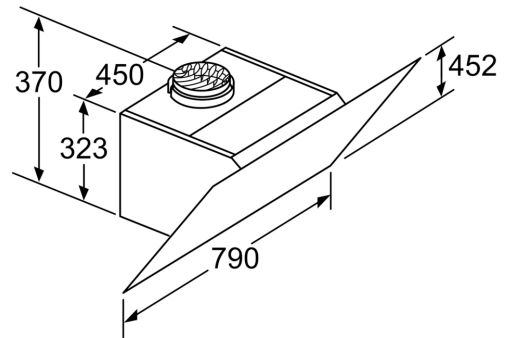
D: Gas



measurements in mm



- (1) Exhaust air
 (2) Circulated air
 (3) Air outlet – slot for exhaust air to be mounted facing down
- measurements in mm



Appliance in circulated air mode
 without duct
 Circulated air set required

measurements in mm