

**Series 2, Wall-mounted cooker hood,
90 cm, Black
DWB96BC60B**



Optional accessories

DWZ0XX0J0	Long Life recirculation kit
DWZ1DX114	Clean Air Standard recirculation kit
DWZ1DX116	Clean Air Plus recirculation kit
DZZ1XX1B6	Clean Air Plus odor filter (replacement)

Wall mounted chimney hoods add style and sophistication to the kitchen and give you complete freedom in your kitchen planning.

- **High extraction rate - for continuously clean air in the kitchen.**
- **3 Power Levels:** Adjust the extraction intensity according to your cooking needs.
- **Enjoy the benefits of a cleaner kitchen, free from excessive grease and unwanted odors.**
- **LED Illumination:** The energy-saving lighting provides bright and clear lighting for the hob area.

Technical Data

Color chimney:	Black
Typology:	Wall-mounted
Length electrical supply cord:	130 cm
Height of the chimney:	583-912/583-1022 mm
Height of the appliance:	53 mm
Minimum distance above an electric hob:	550 mm
Minimum distance above a gas hob:	650 mm
Net weight:	13.4 kg
Type of control:	Mechanical
Number of speed settings:	3
Max. air extraction:	619 m ³ /h
Max. air recirculation:	422 m ³ /h
Maximum Air flow:	619 m ³ /h
Number of lights:	2
Noise level:	70 dB(A) re 1pW
Diameter of air outlet:	120 / 150 mm
Grease filter material:	Washable aluminium
EAN code:	4242005453047
Connection rating:	220 W
Fuse protection:	10 A
Voltage:	220-240 V
Frequency:	60; 50 Hz
Plug type:	GB plug
Installation typology:	Wall-mounted



Series 2, Wall-mounted cooker hood, 90 cm, Black DWB96BC60B

Wall mounted chimney hoods add style and sophistication to the kitchen and give you complete freedom in your kitchen planning.

- DWB96BC60B

Design

- Chimney extractor hood
- Box design
- 90 cm wide
- Installation: wall
- Black
- Suitable for ducted or recirculating operation
- For recirculated extraction recirculating kit or CleanAir recirculating kit (accessory) needed
- Dimensions exhaust air (HxWxD): 635-965 x 900 x 500 mm
- Dimensions recirculating (HxWxD): 635-1075 x 900 x 500 mm

Performance/technical information

- 3 power levels via Push button control
- Maximum extraction rate exhaust air 619 m³/h according to EN 61591
- Noise level according to EN 60704-3 and EN 60704-2-13 at max. normal use exhaust air: 70 dB(A) re 1 pW
- With the Clean Air Plus recirculation kit (available as optional accessory) your appliances reaches:
- Extraction rate in recirculation mode:
 - Max. normal use: 422m³/h
- Noise level in recirculation mode:
 - Max. normal use: 74 dB(A) re 1 pW
- Blower Efficiency Class: A*
- Lighting Efficiency Class: A*
- Grease Filtering Efficiency Class: B*

Energy efficiency class

- Energy Efficiency Class: B (at a range of energy efficiency classes from A+++ to D)
- Average Energy Consumption: 47.4 kWh/year*

Technical Information

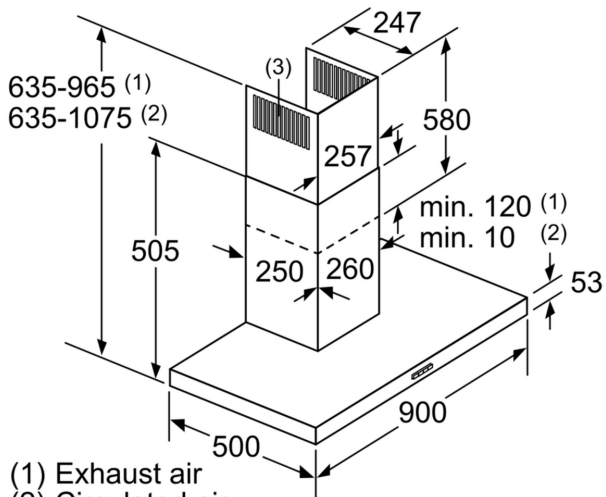
- Electrical cable length 1.3 m
- 2 x 1.5W LED light
- Colour Temperature: 3500 K
- Power rating: 220 W
- Diameter pipe Ø 150 mm (Ø 120 mm enclosed)

Special features

- Twin channel high performance fan motor
- 3 removable metal grease filter cassettes

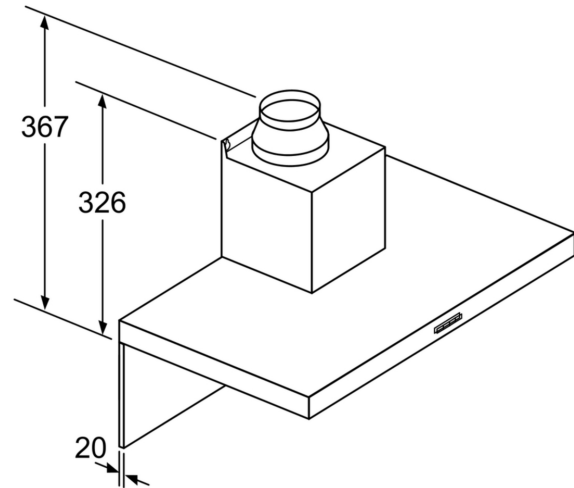
Programmes/functions

**Series 2, Wall-mounted cooker hood,
90 cm, Black
DWB96BC60B**



- (1) Exhaust air
- (2) Circulated air
- (3) Air outlet – slots for exhaust air to be mounted facing down

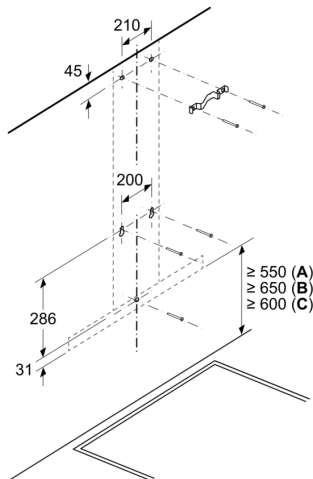
measurements in mm



If a back panel is used, the design of the appliance must be considered.

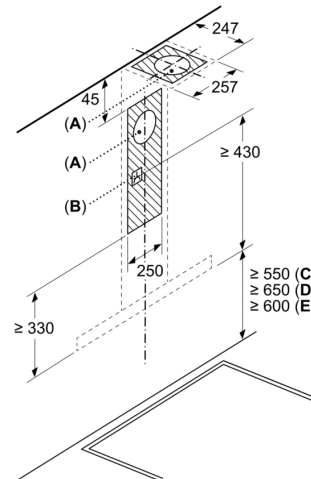
measurements in mm

Measurements in mm



- A: Electric
- B: Gas - from upper edge of pan support
- C: Electric - for Australia and New Zealand

Measurements in mm



- A: Exhaust air outlet
- B: Socket
- C: Electric
- D: Gas - from upper edge of pan support
- E: Electric - for Australia and New Zealand