

## Series 4, Wall-mounted cooker hood, 60 cm, Stainless steel DWB66DM50B



### Optional accessories

DHZ1225	Chimney extension 1000 mm
DHZ1235	Chimney extension 1500 mm
DHZ6551	Brushed steel back panel
DWZ0XX0J0	Long Life recirculation kit
DWZ1DX114	Clean Air Standard recirculation kit
DWZ1DX116	Clean Air Plus recirculation kit
DWZ1FX5C6	Clean Air Plus recirc. kit external
DWZ1FX5D1	Long Life recirculation kit external
DZZ1XX1B6	Clean Air Plus odor filter (replacement)

## Box design hood: performance and matching kitchen design complete in one hood.

- **Especially silent:** maximum hood performance, minimum noise.
- **Enjoy the benefits of a cleaner kitchen, free from excessive grease and unwanted odors.**
- **Touch Select control:** Quickly select hood settings via touch.
- **LED Illumination:** The energy-saving lighting provides bright and clear lighting for the hob area.
- **High extraction rate - for continuously clean air in the kitchen.**

### Technical Data

Color chimney:	Stainless steel
Typology:	Wall-mounted
Length electrical supply cord:	130 cm
Height of the chimney:	583-912/583-1022 mm
Height of the appliance:	53 mm
Minimum distance above an electric hob:	550 mm
Minimum distance above a gas hob:	650 mm
Net weight:	11.9 kg
Type of control:	Electronic
Number of speed settings:	3-stages + intensive setting
Max. air extraction:	368 m <sup>3</sup> /h
Boost position output recirculating:	441 m <sup>3</sup> /h
Max. air recirculation:	337 m <sup>3</sup> /h
Boost position air extraction:	605 m <sup>3</sup> /h
Maximum Air flow:	368 m <sup>3</sup> /h
Number of lights:	2
Noise level:	60 dB(A) re 1pW
Diameter of air outlet:	120 / 150 mm
Grease filter material:	Washable aluminium
EAN code:	4242005051045
Connection rating:	220 W
Fuse protection:	10 A
Voltage:	220-240 V
Frequency:	50; 60 Hz
Plug type:	GB plug
Installation typology:	Wall-mounted



## Series 4, Wall-mounted cooker hood, 60 cm, Stainless steel DWB66DM50B

### Box design hood: performance and matching kitchen design complete in one hood.

#### Key performance features:

- Energy Efficiency Class: B (at a range of energy efficiency classes from A+++ to D)
- Extraction rate according to EN 61591  $\varnothing$  15 cm:
  - max. Normal use 368m<sup>3</sup>/h
  - Intensive 605 m<sup>3</sup>/h
- Noise max. Normal Level: Noise, max. speed in normal us: 60 dB dB\*

#### Features

- TouchControl with Electronic display
- Electronic display
- 3 power levels & intensive setting
- 2 x 1.5W LED light
- Colour Temperature: 3500 K
- Automatic intensive revert (6mins)
- 2 removable metal grease filter cassettes
- Installation: wall

#### Design

- Chimney extractor hood
- TouchControl
- Electronic control

#### Performance/technical information

- Suitable for ducted or recirculating operation
- For recirculated extraction recirculating kit or CleanAir recirculating kit (accessory) needed
- Max. extraction rate: 605 m<sup>3</sup>/h
- Noise level according to EN 60704-3 and EN 60704-2-13 exhaust air:
  - Max. normal use: 60dB(A) re 1 pW
  - Intensive: 69 dB(A) re 1 pW
- With the Clean Air Plus recirculation kit (available as optional accessory) your appliances reaches:
  - Extraction rate in recirculation mode:
    - Max. normal use: 337m<sup>3</sup>/h
    - Intensive: 441m<sup>3</sup>/h
  - Noise level in recirculation mode:
    - Max. normal use: 70dB(A) re 1 pW
    - Intensive: 74 dB(A) re 1 pW
- Power rating: 220 W
- Light Intensity: 242 lux
- Electrical cable length 1.3 m
- Diameter pipe  $\varnothing$  150 mm ( $\varnothing$  120 mm enclosed)
- Dimensions exhaust air (HxWxD): 635-965 x 600 x 500 mm
- Dimensions recirculating (HxWxD): 635-1075 x 600 x 500 mm
- Dimensions recirculating with CleanAir module (HxWxD): 703 x 600 x 500mm - mounting with outer chimney

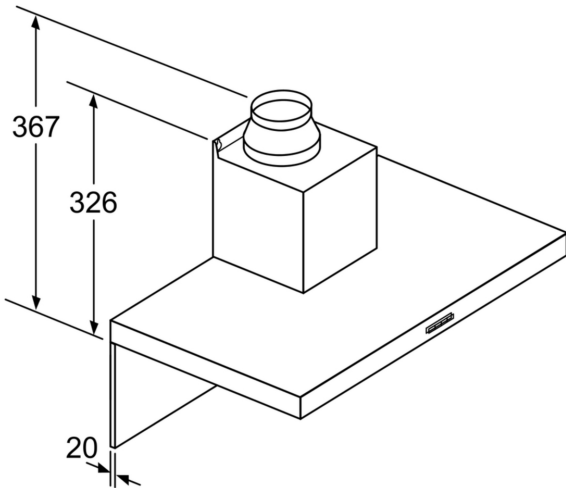
- 833-1163 x 600 x 500 mm - mounting with telescopic chimney
- Blower Efficiency Class: A\*
- Lighting Efficiency Class: A\*
- Grease Filtering Efficiency Class: B\*
- Average Energy Consumption: 48.1 kWh/year\*

#### Optional accessories

- Recirculating kit DHZ1225

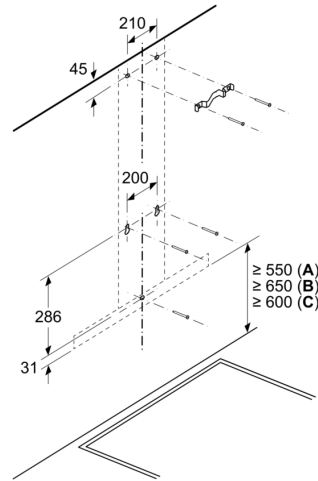
\* In accordance with the EU-Regulation No 65/2014

**Series 4, Wall-mounted cooker hood,  
60 cm, Stainless steel  
DWB66DM50B**



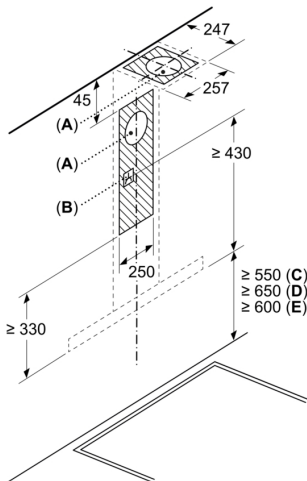
If a back panel is used,  
the design of the appliance  
must be considered.      measurements in mm

Measurements in mm

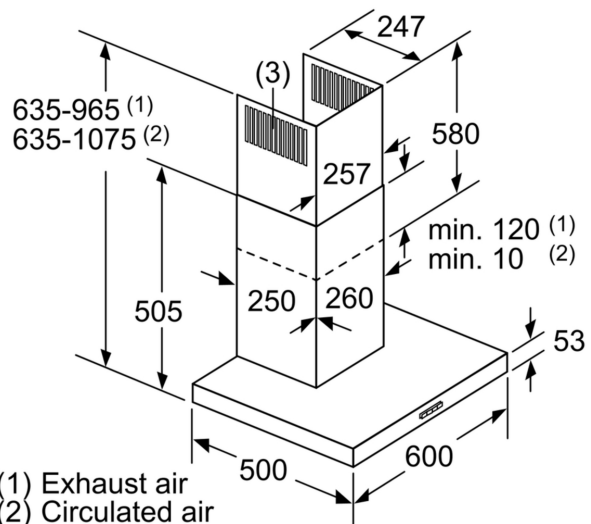


- A: Electric
- B: Gas - from upper edge of pan support
- C: Electric - for Australia and New Zealand

Measurements in mm



- A: Exhaust air outlet
- B: Socket
- C: Electric
- D: Gas - from upper edge of pan support
- E: Electric - for Australia and New Zealand



- (1) Exhaust air
  - (2) Circulated air
  - (3) Air outlet – slots for exhaust air  
to be mounted facing down
- measurements in mm