

**Series 4, Built-under cooker hood, 60 cm, Stainless steel
DUL63CC50B**



Optional accessories

DHZ2701 Standard odor filter

Conventional cooker hoods are mounted under cabinets and always visible, allowing you to keep your storage space.

- **LED Illumination:** The energy-saving lighting provides bright and clear lighting for the hob area.
- **High extraction rate - for continuously clean air in the kitchen.**
- **Dishwasher safe metal grease filter**
- **3 Power Levels:** Adjust the extraction intensity according to your cooking needs.
- **Dishwasher safe aluminum mesh filters**

Technical Data

Typology:	Built-in/Built-under
Length electrical supply cord:	145 cm
Height of the appliance:	150 mm
Minimum distance above an electric hob:	650 mm
Minimum distance above a gas hob:	650 mm
Net weight:	6.2 kg
Type of control:	Mechanical
Number of speed settings:	3
Max. air extraction:	350 m ³ /h
Max. air recirculation:	110 m ³ /h
Maximum Air flow:	350 m ³ /h
Number of lights:	2
Noise level:	72 dB(A) re 1pW
Diameter of air outlet:	120 / 100 mm
Grease filter material:	Washable aluminium
EAN code:	4242002968513
Connection rating:	146 W
Voltage:	220-240 V
Frequency:	50 Hz
Plug type:	GB plug
Installation typology:	Built-under



Series 4, Built-under cooker hood, 60 cm, Stainless steel DUL63CC50B

Conventional cooker hoods are mounted under cabinets and always visible, allowing you to keep your storage space.

Key performance features:

- Energy Efficiency Class: D (at a range of energy efficiency classes from A+++ to D)
- Maximum extraction 350 m³/h
- Noise max. Normal Level: Noise, max. speed in normal us: 72 dB dB*

Features

- Push button control for extractor speeds and light
- 3 power levels
- 2 x 4W LED light
- Colour Temperature: 3000 K
- 2 removable metal grease filter cassettes

Design

- Built under conventional hood
- Installation: Wall or under hang-up cupboard
- Adjustable glass visor
- Push button control
- Mechanical

Performance/technical information

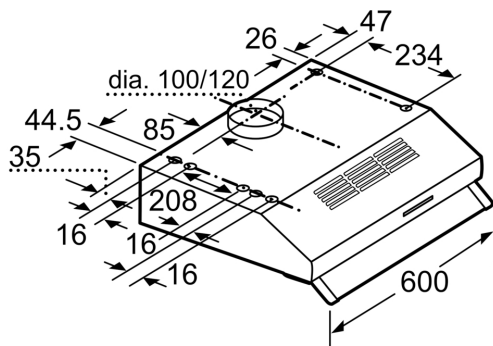
- Suitable for ducted or recirculating operation
- For recirculated extraction charcoal filter (accessory) needed
- Noise level according to EN 60704-3 and EN 60704-2-13 at maximum normal setting: extraction rate: 72 dB (A) re 1pW
- Power rating: 146 W
- Light Intensity: 45 lux
- Electrical cable length 1.45 m
- Blower Efficiency Class: E*
- Lighting Efficiency Class: E*
- Grease Filtering Efficiency Class: C*
- Average Energy Consumption: 93.3 kWh/year*
- Diameter pipe Ø 120 mm (Ø 100 mm enclosed)
- Dimensions exhaust air (HxWxD): 150-150 x 600 x 482 mm
- Dimensions recirculating (HxWxD): 150-150 x 600 x 482 mm

Optional accessories

- Recirculating kit DHZ2701

* In accordance with the EU-Regulation No 65/2014

**Series 4, Built-under cooker hood, 60
cm, Stainless steel
DUL63CC50B**



measurements in mm