

**Series 2, Integrated cooker hood, 60 cm, Silver
DEM66AC00B**



Optional accessories

DWZOIM0A0 Standard odor filter (replacement)

Integrated cooker hoods pull out when in use and close neatly to conceal when not in operation.

- **LED Illumination:** The energy-saving lighting provides bright and clear lighting for the hob area.
- **High extraction rate - for continuously clean air in the kitchen.**
- **Dishwasher safe metal grease filter**
- **3 Power Levels:** Adjust the extraction intensity according to your cooking needs.
- **Ducted or un-ducted options:** Flexibility to install our hoods in both ducted and un-ducted options.

Technical Data

Typology:	Built-in/Built-under
Length electrical supply cord:	150 cm
Height of the appliance:	402 mm
Minimum distance above an electric hob:	500 mm
Minimum distance above a gas hob:	650 mm
Net weight:	10.8 kg
Type of control:	Mechanical
Number of speed settings:	3
Max. air extraction:	625 m ³ /h
Max. air recirculation:	416 m ³ /h
Maximum Air flow:	625 m ³ /h
Number of lights:	2
Noise level:	70 dB(A) re 1pW
Diameter of air outlet:	150 / 120 mm
Grease filter material:	Washable aluminium
EAN code:	4242005041121
Connection rating:	256 W
Fuse protection:	10 A
Voltage:	220-240 V
Frequency:	50; 60 Hz
Plug type:	GB plug
Installation typology:	Wall-mounted



Series 2, Integrated cooker hood, 60 cm, Silver DEM66AC00B

Integrated cooker hoods pull out when in use and close neatly to conceal when not in operation.

Key performance features:

- Energy Efficiency Class: B (at a range of energy efficiency classes from A+++ to D)
- Extraction rate according to EN 61591 max. 625 m³/h
- Noise max. Normal Level: Noise, max. speed in normal us: 70 dB dB*

Features

- Push button control for extractor speeds and light
- 3 power levels
- 2 x 3W LED
- Single motor
- 2 removable metal grease filter cassettes

Design

- Integrated hood
- Installation: Between Cupboards
- Push button control
- Mechanical

Performance/technical information

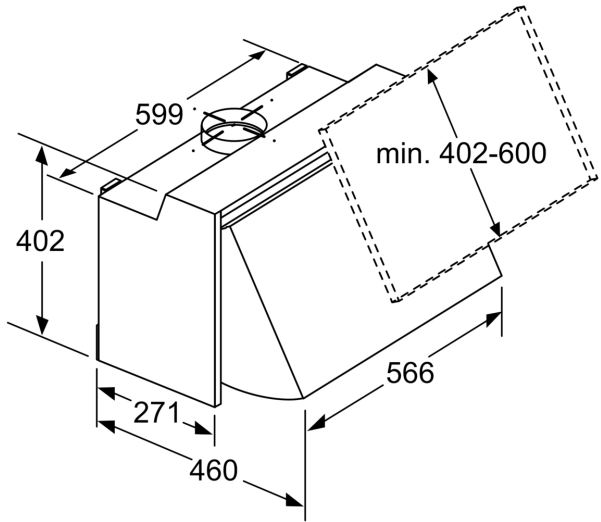
- Suitable for ducted or recirculating operation
- For recirculated extraction charcoal filter (accessory) needed
- Noise level according to EN 60704-3 and EN 60704-2-13 at max. normal use exhaust air: 70 dB(A) re 1 pW
- Power rating: 256 W
- Light Intensity: 188 lux
- Colour Temperature: 2700 K
- Electrical cable length 1.5 m
- Blower Efficiency Class: B*
- Lighting Efficiency Class: A*
- Grease Filtering Efficiency Class: C*
- Average Energy Consumption: 68.4 kWh/year*
- Diameter pipe Ø 150 mm (Ø 120 mm enclosed)
- Dimensions exhaust air (HxWxD): 402-402 x 599 x 271 mm
- Dimensions recirculating (HxWxD): 402-402 x 599 x 271 mm

Optional accessories

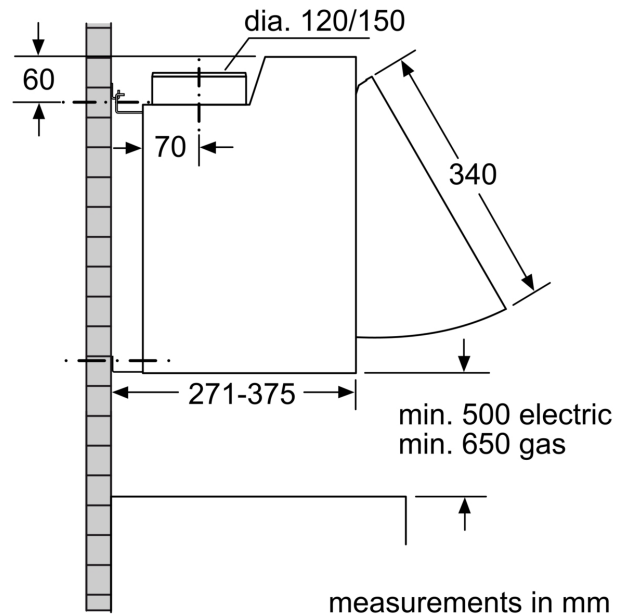
- Recirculating kit DWZ0IM0A0

* In accordance with the EU-Regulation No 65/2014

**Series 2, Integrated cooker hood, 60
cm, Silver
DEM66AC00B**



measurements in mm



measurements in mm