

**Series 8, Downdraft hood, 80 cm,  
clear glass, Black  
DDW88MM60B**



**Optional accessories**

DSZ1WW1B6 Clean Air Plus odor filter (replacement), DSZ1WW1I6 Clean Air Plus recirculation kit, DSZ1WW1J1 Long Life recirculation kit, DSZ1WW1M1 Installation kit remote motor, DSZ8WW1Y2 Mounting kit for seamless installation, DZZ1WW1X1 Flat duct adapt.round 90° DN150 Metal, DZZ1XX1X1 Aluflex pipe cyl. 150, HEZ9VDSB1 90° flat duct bend horizontal, HEZ9VDSB2 90° flat duct L vertical, HEZ9VDSI0 Adapter round-flat, HEZ9VDSI1 90° Adapter round-flat, HEZ9VDSM1 Straight tube 500mm, HEZ9VDSM2 Straight tube 1000mm, HEZ9VDSS1 Connector sleeve (female)

- **Innovative design meets powerful performance.**
- **Hob-based Hood Control:** Say goodbye to the hassle of separate controls and hello to a cooking experience that is truly seamless.
- **EcoSilence Drive™:** the powerful, energy-saving drive for hoods.
- **PerfectAir sensor:** automatic control of settings for maximal extractor performance with minimal noise.
- **Filter saturation:** offers automatic reminders to clean and replace your filters

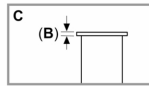
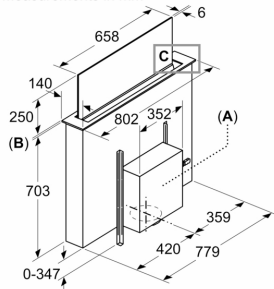
**Technical Data**

Typology: .....	Downdraft
Length electrical supply cord: .....	130 cm
Required niche size for installation (HxWxD): ...	703mm x 781.0mm x 123mm mm
Height of the appliance: .....	709 mm
Net weight: .....	37.5 kg
Type of control: .....	Electronic
Number of speed settings: .....	3-stage + 2 intensive
Max. air extraction: .....	501 m <sup>3</sup> /h
Boost position output recirculating: .....	525 m <sup>3</sup> /h
Max. air recirculation: .....	416 m <sup>3</sup> /h
Boost position air extraction: .....	775 m <sup>3</sup> /h
Maximum Air flow: .....	501 m <sup>3</sup> /h
Noise level: .....	62 dB(A) re 1pW
Diameter of air outlet: .....	150 mm
Grease filter material: .....	Washable stainless steel
EAN code: .....	4242005450688
Connection rating: .....	300 W
Fuse protection: .....	10 A
Voltage: .....	220-240 V
Frequency: .....	50; 60 Hz
Plug type: .....	GB plug
Installation typology: .....	Built-in



## Series 8, Downdraft hood, 80 cm, clear glass, Black DDW88MM60B

Measurements in mm



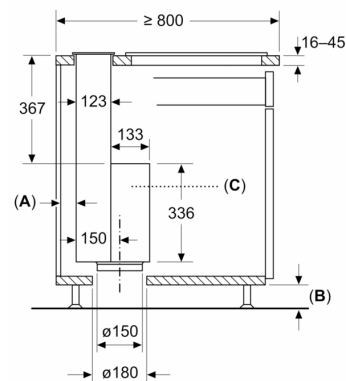
**A:** Installation of motor unit on front/rear or offset laterally with max. 3 m clearance (special accessory required)

Motor unit must always be accessible

**B:** 5.5 mm

Measurements in mm

**Standard, top-mounted installation**



Standard: with worktop divider between downdraft and hob

**A:** ≥ 20 mm between the Guided Air suction area and a cabinet wall

**B:** ≥ 60 mm for air recirculation

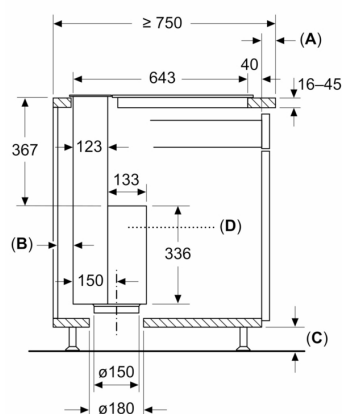
≥ 100 mm for air extraction with ducting in the plinth

**C:** Motor unit must always be accessible

Measurements in mm

**Seamless, top-mounted installation**

(Special accessory required)



**A:** Worktop overlap to kitchen cabinet

**B:** ≥ 20 mm between the Guided Air suction area and a cabinet wall

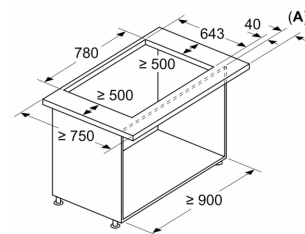
**C:** ≥ 60 mm for air recirculation

≥ 100 mm for air extraction with ducting in the plinth

**D:** Motor unit must always be accessible

Measurements in mm

**Combination with electric hob  
Seamless, top-mounted installation**



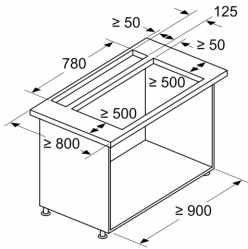
**A:** Worktop overlap to kitchen cabinet

Combination with gas hob is not possible

To prevent power loss, observe the following:

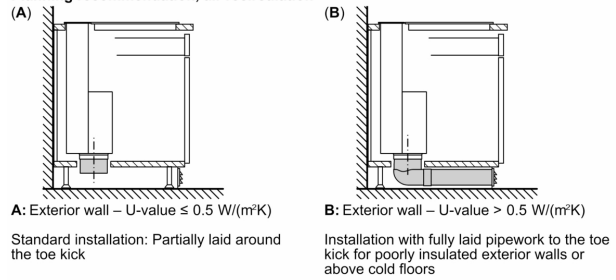
- Do not install upper cabinets or open shelf elements above the appliance
- Left/right distance between appliance and wall/adjacent upper cabinet min. 500 mm
- Distance between appliance frame and wall min. 50 mm

Measurements in mm  
**Combination with electric hob**  
**Standard, top-mounted installation**

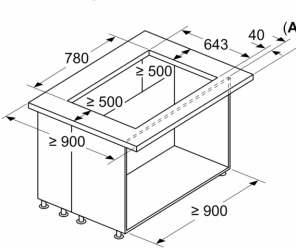


- Standard: with worktop divider between downdraft and hob
- Combination with gas hob is not possible
- To prevent power loss, observe the following:
- Do not install upper cabinets or open shelf elements above the appliance
  - Left/right distance between appliance and wall/adjacent upper cabinet min. 500 mm
  - Distance between appliance frame and wall min. 50 mm

**Planning recommendation, air recirculation**

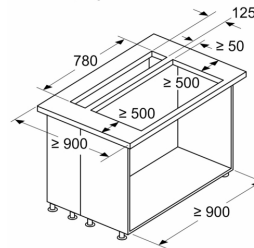


Measurements in mm  
**Combination with electric hob**  
**Seamless, top-mounted installation**



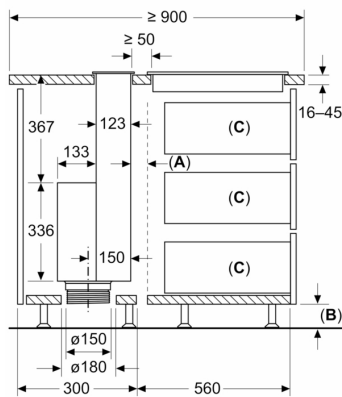
- A:** Worktop overlap to kitchen cabinet
- Combination with gas hob is not possible
- To prevent power loss, observe the following:
- Do not install upper cabinets or open shelf elements above the appliance
  - Left/right distance between appliance and wall/adjacent upper cabinet min. 500 mm

Measurements in mm  
**Combination with electric hob**  
**Standard, top-mounted installation**



- Standard: with worktop divider between downdraft and hob
- Combination with gas hob is not possible
- To prevent power loss, observe the following:
- Do not install upper cabinets or open shelf elements above the appliance
  - Left/right distance between appliance and wall/adjacent upper cabinet min. 500 mm

Measurements in mm  
**Standard, top-mounted installation**

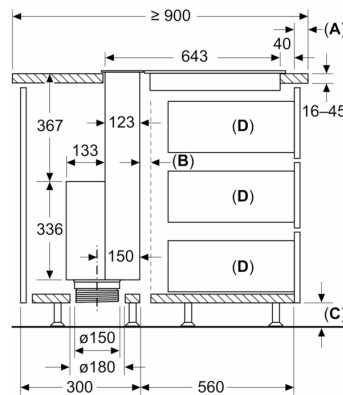


Standard: with worktop divider between downdraft and hob

- A:** Ventilation gap for hob
- B:**  $\geq 60 \text{ mm}$  for air recirculation  
 $\geq 100 \text{ mm}$  for air extraction with ducting in the plinth
- C:** Max. pull-out depth
- Motor unit must always be accessible

Measurements in mm  
**Seamless, top-mounted installation**

**(Special accessory required)**



- A:** Worktop overlap to kitchen cabinet
- B:** Ventilation gap for hob
- C:**  $\geq 60 \text{ mm}$  for air recirculation  
 $\geq 100 \text{ mm}$  for air extraction with ducting in the plinth
- D:** Max. pull-out depth
- Motor unit must always be accessible