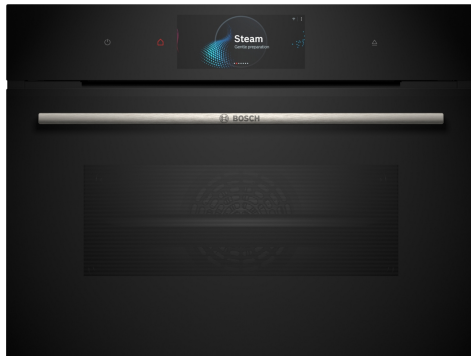


Series 8, Built-in compact oven with steam function, 60 x 45 cm, Black CSG7584B1



Included accessories

1 x grid, 1 x universal pan, size XL, punched, 1 x steam container, unpunched, size M

Optional accessories

HEZ660060	Strip
HEZ32WA00	Wireless food thermometer
HEZ530000	Half tray
HEZ629070	Air Fry & Grill tray
HEZ638D00	Full ext rails, level independent, steam
HEZ660050	Cover Strip

The compact steam oven with Digital Control Ring and TFT-touchdisplay, assist function for meals PerfectBake Plus, PerfectRoast Plus, Home Connect for control via the App.

- **Digital Control Ring:** simple and intuitive oven control.
- **TFT Touch Display Pro:** full control with the innovative Digital Control Ring and TFT touchscreen.
- **Perfect Steam:** bake or roast with extra steam for added crispness and moisture.
- **Steam Function Plus:** gentle, healthy food preparation at up to 120°C.
- **4D Hotair:** even heat distribution for perfect results.

Technical Data

Built-in / Free-standing: Built-in
 Door opening: Drop down
 Required niche size for installation (HxWxD): 450-455 x 560-568 x 550 mm
 Dimensions: 455x594x548 mm
 Dimensions of the packed product (HxWxD): 520x650x690 mm
 Control Panel Material: Glass
 Door Material: Glass
 Net weight: 34.6 kg
 Length electrical supply cord: 150 cm
 EAN code: 4242005326174
 Fuse protection: 16 A
 Voltage: 220-240 V
 Frequency: 50; 60 Hz
 Plug type: GARDY plug w/ earthing
 Usable volume (of cavity) - NEW (2010/30/EC): 47 l
 Energy efficiency rating: A+
 Energy consumption per cycle conventional (2010/30/EC): 0.73 kWh/cycle
 Energy consumption per cycle forced air convection (2010/30/EC): 61 kWh/cycle
 Energy efficiency index (2010/30/EC): 81.3 %
 Included accessories: 1 x grid, 1 x universal pan, 1 x steam container, punched, size XL, 1 x steam container, unpunched, size M, 1 x steam container, unpunched, size M



Series 8, Built-in compact oven with steam function, 60 x 45 cm, Black CSG7584B1

The compact steam oven with Digital Control Ring and TFT-touchdisplay, assist function for meals PerfectBake Plus, PerfectRoast Plus, Home Connect for control via the App.

Features

- Compact steam oven with 23 heating methods: conventional top and bottom heat, full width variable grill, half width grill, bottom heat, intensive heat, low temperature cooking, plate warming, dehydrate, keep warm, Conventional heat gentle, Steam cooking, reheating with steam, Dough proving, defrost, Hot air grilling, warming, 4D Hot air, Top/bottom heat
- Temperature range 30 °C - 250 °C
- 120 °C
- Cavity volume: 47 litre capacity

Level independent telescopic rails

- 3 shelf positions
- Available as an additional accessory

Design

- Touch controls With steel trim
- Digital Control Ring
- Cavity inner surface: enamel anthracite

Cleaning

- EcoClean Direct: coating of ceiling, back panel, side liners
- hydrolyse program, EcoClean Direct programme
- Full glass inner door

Programmes/functions

- Oven Assistant with Voice Control
- BE63
- Electronic clock timer
- Digital temperature display with proposal
- Actual temperature display
- Heating-up indicator
- Temperature probe
- Drop down door, SoftClose, SoftOpen
- BoschAssist
- yes
- yes
- Fast pre-heating function
- steam boost - add for 3min intensive steam with a touch of a button.
- There are different steam intensities selectable: steam level high, steam level middle, steam level low
- LED light, Light on/off when oven door opened/closed
- Water tank empty indicator
- Location of water tank: Outside cavity
- Integral cooling fan
- Home Connect ready

Accessories

- 1 x steam container, punched, size M, 1 x steam container, punched, size XL, 1 x steam container, unpunched, size M, 1 x grid, 1 x universal pan

Features

- Maximum window temperature 40° C
- Triple glazed door glazed CoolTouch door
- Control panel lock
- Automatic safety switch off
- Residual heat indicator
- Start button
- Door contact switch

Technical information

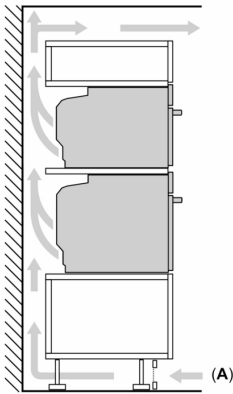
- Power cord length 150 cm Cable length
- Nominal voltage: 220 - 240 V
- Total connected load electric: 3.3 KW
- Energy efficiency rating (acc. EU Nr. 65/2014): A+
- Energy consumption per cycle in conventional mode: 0.73 kWh
- Energy consumption per cycle in fan-forced convection mode: 0.61 kWh
- Number of cavities: Main cavity
- Heat source: electrical
- Cavity volume: 47 litre capacity

Performance/technical information

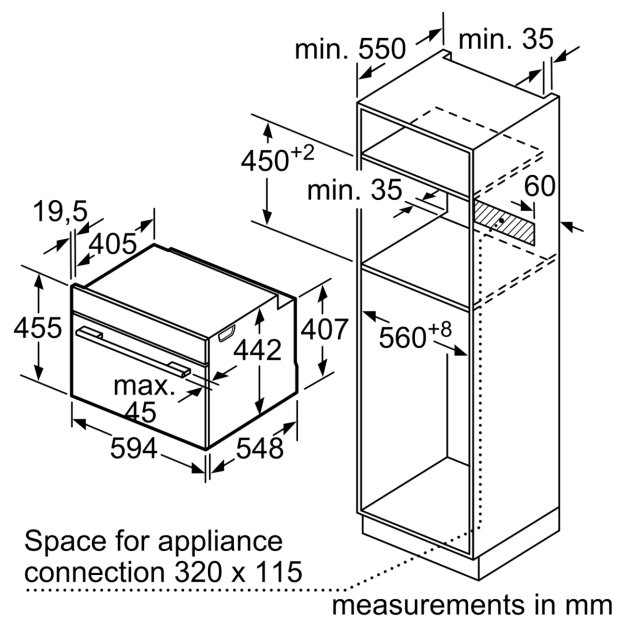
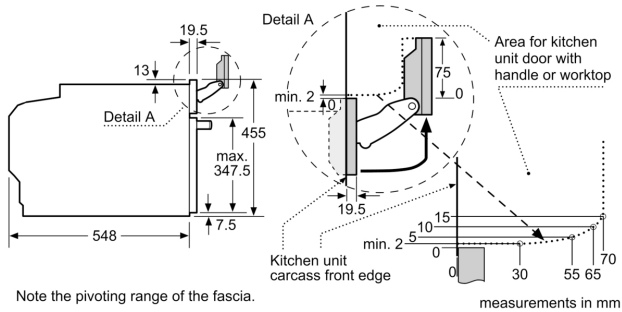
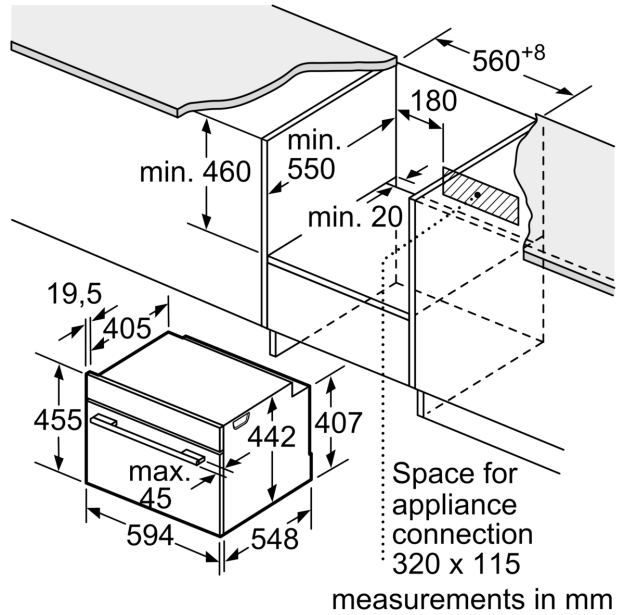
- Appliance dimension (hxwx): 455 mm x 594 mm x 548 mm
- Niche dimension (hxwx): 450 mm - 455 mm x 560 mm - 568 mm x 550 mm
- "For-details-on-installation-and-ventilation requirements – please refer to the installation manual prior to fitting."

Series 8, Built-in compact oven with steam function, 60 x 45 cm, Black CSG7584B1

Installing two appliances on top of each other
Air exchange

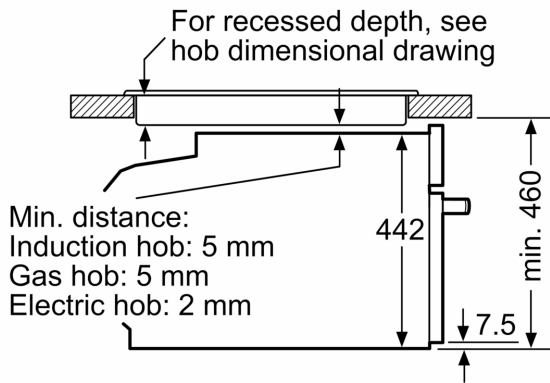


A: Air inlet $\geq 200 \text{ cm}^2$



Installation with a hob.

If the compact appliance will be installed underneath a hob, the following worktop thicknesses (including substructure if necessary) must be taken into account.



measurements in mm

Hob type	min. worktop thickness	
	fitted	flush
Induction hob	42 mm	43 mm
Full surface Induction hob	52 mm	53 mm
Gas hob	32 mm	43 mm
Electric hob	32 mm	35 mm